



AIR CLEANERS



MEDIA AIR CLEANERS – 2210/2410



MEDIA AIR CLEANERS – 4200/4400



ELECTRONIC AIR CLEANERS – 5000

APRILAIRE#	SH#	TYPE	AIR FLOW	FILTERING AREA	REMOVAL EFFICIENCY	OTHER
2210	2210AA	Media air cleaner, whole home	Up to 2000 CFM	31.4 sq. ft.	57% @ 1 micron size. Removes dust, pollen, fungi, mold, pet dander.	<ul style="list-style-type: none"> Less one-touch control. Easily adapts to upflow or horizontal duct configurations. 5 year warranty from date of installation, excludes disposable media.
2410	2410AA			28.3 sq. ft.		<ul style="list-style-type: none"> Less one-touch control. Compact size for use with shorter furnaces in platform or closet installations. 5 year warranty from date of installation, excludes disposable media.
4200	4200			31.4 sq. ft.	76% @ 1 micron size. Removes dust, pollen, fungi, mold, pet dander.	<ul style="list-style-type: none"> With one-touch control and MERV 13 filter. Easily adapts to upflow or horizontal duct configurations. 5 year warranty from date of installation, excludes disposable media.
4400	4400			28.3 sq. ft.		<ul style="list-style-type: none"> With one-touch control and MERV 13 filter. Compact size for use with shorter furnaces in platform or closet installations. 5 year warranty from date of installation, excludes disposable media.
5000	5000AA	Electronic air cleaner, whole home		72.3 sq. ft.	98% @ 1 micron size. Removes dust, pollen, fungi, mold, pet dander, smoke, viruses, bacteria.	<ul style="list-style-type: none"> With one-touch control 2 year warranty from date of installation, excludes disposable media..

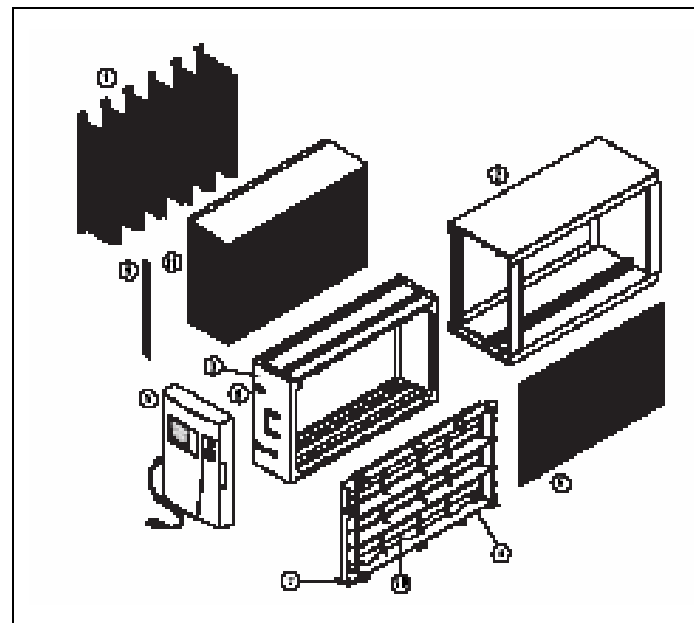
ONE TOUCH CONTROL:

- Indicates when air cleaner is running.
- Monitors the fan run time and tells homeowners when to replace filters.
- Provides active control of 4 choices of cleaning settings: Constant: 24/7, Automatic: 30 min. cycle/hr., Event: 3 hr. cycle, Allergies: 24 hr. cycle, Filter Reset: hold for 5 sec.



AIR CLEANERS –PARTS LIST

AIR CLEANER MODEL#	DIAGRAM#	DESCRIPTION	APRILAIRE#	SH#
5000	1	Pleat spacer	4270	Not stocked in CDC
	2	Outer housing	4307	
	3	Inner housing with seals, including 6 pleat spacers	4308	
	4	Ionizer frame assembly	4598	
	5	Power pack/door assembly	4310	
	6	Control electrode	4311	
	7	Ground contact	4599	
	8	Media ground contact	4313	
	9	Median ground assembly	4314	
	10	Ionizer wire	4315	
	11	Replacement media	501	501AA



AIR CLEANER MODEL#	DIAGRAM#	DESCRIPTION	APRILAIRE#	SH#
2210 4200	2	Replacement media	213	213AA
2410 4400			413	413AA

