

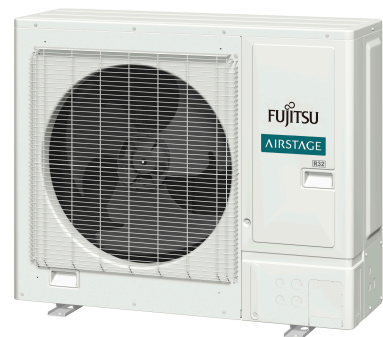
SUBMITTAL - 36KPAS1

Job Name: _____	Date: _____
Location: _____	



Indoor Unit: **ASUH36KPAS**

Outdoor Unit: **AOUH36KPAS1**



FEATURES
INDOOR UNIT:

- Compact wall-mounted indoor unit delivering superior comfort and energy-efficient performance
- Indoor unit with ProCore™ (High Corrosion Resistant Copper) coils for long-lasting protection against corrosion
- Whisper-quiet operation with sound levels as low as 32dB
- Multiple fan speed options; Auto, High, Med-High, Med, Med-Low, Low, and Quiet.
- Special Operation modes available:
 - Economy Mode / Energy Saving Mode / Powerful Mode / Minimum Heat Mode / Automatic defrosting operation / Auto-restart function
- Enhanced controls platform for seamless, intuitive operation:
 - Backlit wireless remote controller with luminous buttons for easy visibility, included with the indoor unit
 - Wi-Fi connectivity with Airstage Mobile App monitoring via compatible USB WLAN adapter
 - Extended connectivity with support for third-party interface options
 - Compatible with BACnet and Modbus protocols for seamless integration with building management and Home Automation Systems
- Advanced scheduling and timer options offer greater control over unit operation:
 - Weekly Timer / 24-hr Timer / Sleep Function
- Dual-action Filtration: Apple-Catechin Filter & Ion Deodorizing Filter
- Additional premium features include, but are not limited to:
 - Built-in external input and output for interlocking systems with 3rd party devices (Ex: Fire Alarm, Door Switch, Humidifier, Aux. Heat & more)
 - Multiple Auxiliary Heat logic for optimized heating performance
 - Service monitoring functionality via compatible accessories (UTY-RVRU & UTY-RNRUZ-series)

OUTDOOR UNIT:

- Low GWP R-32 systems for reduced environmental impact
- INVERTER-driven compressor that offers superior performance, comfort, and energy savings
- Special Cooling Operation extends cooling operation down to -4°F (-20°C)
- Compact outdoor unit with extended line set lengths up to 164ft (50m)
- Low-noise outdoor unit operation mode
- Hydro Fin-coated heat exchanger for improved corrosion resistance and coil durability



7 Year Compressor, 5 Year Parts out-of-the-box Warranty.



10 Year Compressor, 10 Year Parts Warranty when registered within 60 days of installation in a residence.



12 Year Compressor, 12 Year Parts Warranty when registered within 60 days of installation in a residence and installed by a Fujitsu Elite contractor.



Due to continuous product improvements, specifications are subject to change without notice. Please log in to the Fujitsu Portal for the most up-to-date documentation <https://connect.fujitsugeneral.com>

Version: 20250106A

-1 of 6-

SUBMITTAL - 36KPAS1

SPECIFICATIONS:

Indoor Unit				ASUH36KPAS					
Outdoor Unit				AOUH36KPAS1					
System Name				36KPAS1					
AHRI Number				215390441					
SEER2	Cooling			Btu/hW	21				
EER2					9.75				
HSPF2	Heating			kW/kW	10				
COP2					3.3				
Outdoor Operation Range		Cooling		°F (°C)	14 to 122*8 (-10 to 50*8)				
		Heating			5 to 75 (-15 to 24)				
Indoor Capacity		Cooling		Btu/h	33000				
		Heating			9,900—34,100				
		47°FDB (Outdoor temp.)	Rated	34000					
			Min.—Max.	9,200—37,500					
			Rated	22400					
			Max.	30100					
17°FDB (Outdoor temp.) ¹	Rated	25800							
	Max.								
Outdoor Connection pipe	Size	Liquid		in (mm)	Ø3/8 (Ø9.52)				
		Gas			Ø5/8 (Ø15.88)				
	Method		FLARE						
	Pre-charge length		ft (m)	66 (20)					
	Min. length			16 (5)					
	Max. length			164 (50)					
Max. height difference		98 (30)							
Indoor Dimensions (H × W × D)		Net		in (mm)	13-3/8 × 45-1/4 × 11 (340 × 1,150 × 280)				
		Gross			15-15/16 × 50 × 17-11/16 (405 × 1,270 × 450)				
Indoor Weight		Net		lb (kg)	36 (16.5)				
		Gross			49 (22.0)				
Outdoor Dimensions (H × W × D)		Net		in (mm)	31 × 37 × 12-5/8 (788 × 940 × 320)				
		Gross			38-1/16 × 40-7/16 × 17-1/2 (966 × 1,027 × 445)				
Outdoor Weight		Net		lb (kg)	117 (53)				
		Gross			134 (61)				
Indoor Fan		Cooling		CFM (m ³ /h)	High	806 (1,370)			
					Med—High	724 (1,230)			
					Med	653 (1,110)			
					Med—Low	583 (990)			
					Low	518 (880)			
					Quiet	418 (710)			
		Heating		CFM (m ³ /h)	High	742 (1,260)			
					Med—High	671 (1,140)			
					Med	612 (1,040)			
					Med—Low	547 (930)			
					Low	483 (820)			
					Quiet	418 (710)			
					Type × Qty		CROSSFLOW FAN × 1		
					Motor output		W		78
Outdoor Fan		Cooling		CFM (m ³ /h)	2,166 (3,680)				
		Heating							
Type × Qty		PROPELLER FAN × 1							
Motor output		W		100					
Indoor Sound Pressure Level ⁴		Cooling		dB (A)	High	51			
					Med—High	49			
					Med	46			
					Med—Low	43			
					Low	39			
					Quiet	32			
		Heating		dB (A)	High	48			
					Med—High	45			
					Med	42			
					Med—Low	39			
					Low	36			
					Quiet	32			
					Cooling		W		54
					Heating		W		56
Outdoor Sound Pressure Level ⁴		Cooling		54					
		Heating		56					

SUBMITTAL - 36KPAS1

SPECIFICATIONS:

Outdoor Refrigerant	Type		R32	
	Charge	lb oz	3 lb 12 oz	
		g	1700	
Additional Charge Calculation			oz/ft	0.43
			g/m	40
Outdoor Refrigerant Oil	Type		FW68D	
	Amount		in ³ (cm ³)	36.6 (600)
Indoor Moisture removal			pints/h (L/h)	10.4 (4.9)
Indoor Drain hose	Material		POLYPROPYLENE + HIGH-DENSITY POLYETHYLENE	
	Tip Diameter		in (mm)	Ø17/32 (Ø13.8) (I.D.), Ø19/32 to 21/32 (Ø15.0 to 16.8) (O.D.)
Indoor Operation range	Cooling	°F (°C)	64 to 90 (18 to 32)	
		%RH	80 or less	
	Heating	°F (°C)	60 to 86 (16 to 30)	
Power Supply			208/230 V~ 60 Hz	
Available Voltage Range			187—253	
System power supply	Voltage		V	208/230
	Frequency		Hz	60
	Available voltage range		V	187—253
Indoor Current	Cooling	Rated	14.8	
	Heating		13.3	
Maximum Operating Current ³		Cooling	18.4	
		Heating	17.9	
Outdoor Starting Current			14.8	
MCA ⁵			18.4	
Wiring spec. ⁶			30	
MAX. CKT. BKR ⁷			30	
Indoor Input Power	Cooling	Rated	3.39	
		Min.—Max.	0.45—3.82	
	Heating	Rated	3.02	
		Min.—Max.	0.52—3.72	
		Rated	2.27	
		Max.	3.68	
5°FDB (Outdoor temp.) ²	Rated	3.43		
	Max.	3.43		
Indoor Power Factor	Cooling	%	99.6	
	Heating	%	98.7	
Energy Star ⁹			ESCC, ESME	

NOTES

—Cooling: Indoor temperature of 80°F (26.67°CDB)/67°FWB (19.44°CWB), and outdoor temperature of 95°FDB (35°CDB)/75°FWB (23.9°CWB).
 —Heating: Indoor temperature of 70°FDB (21.11°CDB)/60°FWB (15.56°CWB), and outdoor temperature of 47°FDB (8.33°CDB)/43°FWB (6.11°CWB).
 17°FDB (Outdoor temp.)¹ —1: Heating (17°F): Indoor temperature of 70°FDB (21.11°CDB)/60°FWB (15.56°CWB), and outdoor temperature of 17°FDB (-8.33°CDB)/15°FWB (-9.44°CWB).
 5°FDB (Outdoor temp.)² —2: Heating (5°F): Indoor temperature of 70°FDB (21.11°CDB)/60°FWB (15.56°CWB), and outdoor temperature of 5°FDB (-15.0°CDB)/4°FWB (-15.56°CWB).
 —Test conditions are based on AHRI 210/240 2023.
 —4:
 Indoor Sound Pressure Level —Measured values in manufacturer's anechoic chamber.
 Outdoor Sound Pressure Level —Because of the surrounding sound environment, the sound levels measured in actual installation conditions might be higher than the specified values here.
 —3:
 Maximum Operating Current —Maximum current is maximum value when operated within the operation range.
 —The total current of indoor unit and outdoor unit.
 MCA —5: Minimum Circuit Ampacity (Calculation based on UL60335-2-40)
 —6: Selected sample based on Japan Electrotechnical Standards and Codes Committee E0005.
 Wiring spec. —As the regulations of wire size and circuit breaker differ in each country or region, select appropriate devices complied to the regional standard.
 MAX. CKT. BKR⁷: Maximum Circuit Breaker
 Operation Range⁸: Suction temperature of the outdoor unit.
 System continues to operate below rated outdoor operation temperature range, subject to varying conditions. System has no low temperature cut out. Capacity is not tested outside of the rated temperature range.

SUBMITTAL - 36KPAS1

ACCESSORIES:

Model Number	Description
UTY-RVRU ^{*1}	KAGAMI - Touch Panel Wired Controller
UTY-RNRUZ5 ^{*1}	Touch Panel Wired Remote Controller
UTY-RHRY ^{*1}	Simple Wired Remote (Without Mode Function) - Hospitality
UTY-RSRY ^{*1}	Simple Wired Remote (With Mode Function)
UTY-TWRXZ2	Communication Kit - Wall Mount
UTY-TFSXH4	Wi-Fi Adapter (WiFi Interface Module USB Type)
FJ-AC-WIFI-1	Intesis Wi-Fi Device: Wired Module
FJ-IR-WIFI-1NA	Intesis IR Wireless AC Cloud Control Interface (Intesis Home app)
BM101WA	Cielo - Breez Max IR Controller w/ WiFi (Black)
BM102WA	Cielo - Breez Max IR Controller w/ WiFi (White)
UTY-VMSX	Modbus Converter
UTY-VTGX ^{*1}	Network Converter - Convert H-Series Comm. Protocol to V/J-Series Comm.
FJ-AC-485-1	Intesis - BACnet MSTP & Modbus RTU Gateway
UTY-TERX ^{*1}	External Switch Controller
UTY-TTRXZ1 ^{*1,2}	24V Thermostat Interface
TTRXZ1-KIT ^{*1,2}	24V Thermostat Interface Kit (UTY-TTRXZ1, UTY-WIFI Plug & 24V Transformer)
UTY-XCSXZ2	External input and output PCB
UTY-XWZX	External Wire Kit
UTY-XWZXZ5	External Connect Kit
UTY-DSGYZ2 ^{*3}	Airstage Edge Controller

NOTES:

*1 - Requires Communication kit UTY-TWRXZ2 to connect this device to IDU.

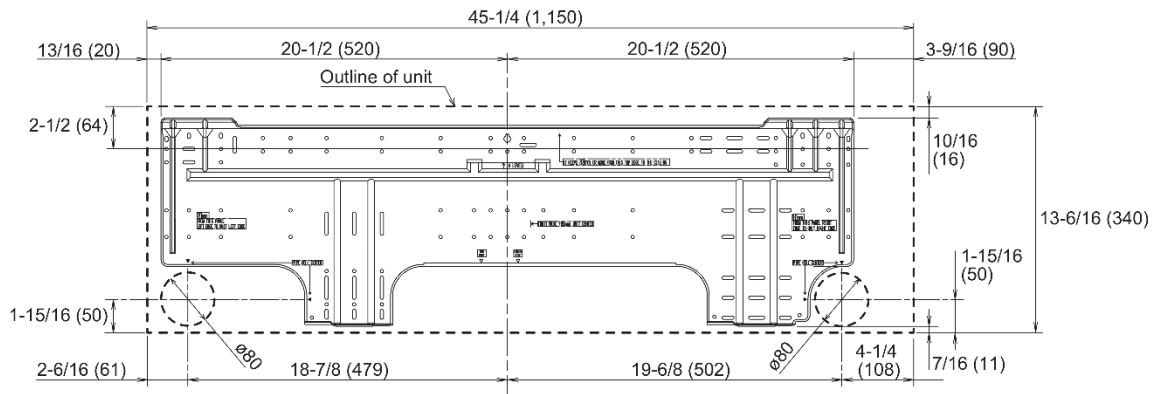
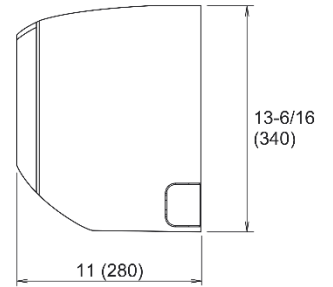
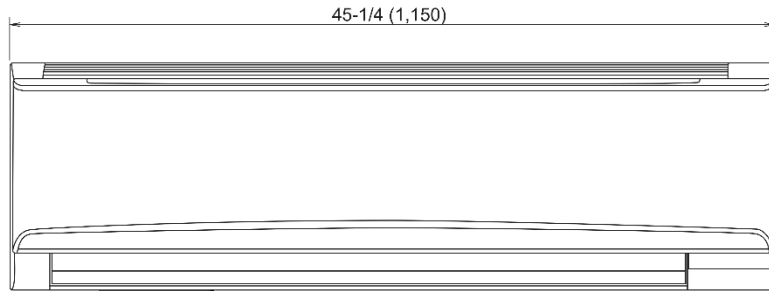
*2 - This device may not be used with any other type of controls (central controller, wire/wireless RC, WiFi adapter, BMS interface).

*3 - Connection to AIRSTAGE Cloud requires a compatible AIRSTAGE Mobile adapter connected to the IDU.

SUBMITTAL - 36KPAS1

INDOOR UNIT DIMENSIONS:

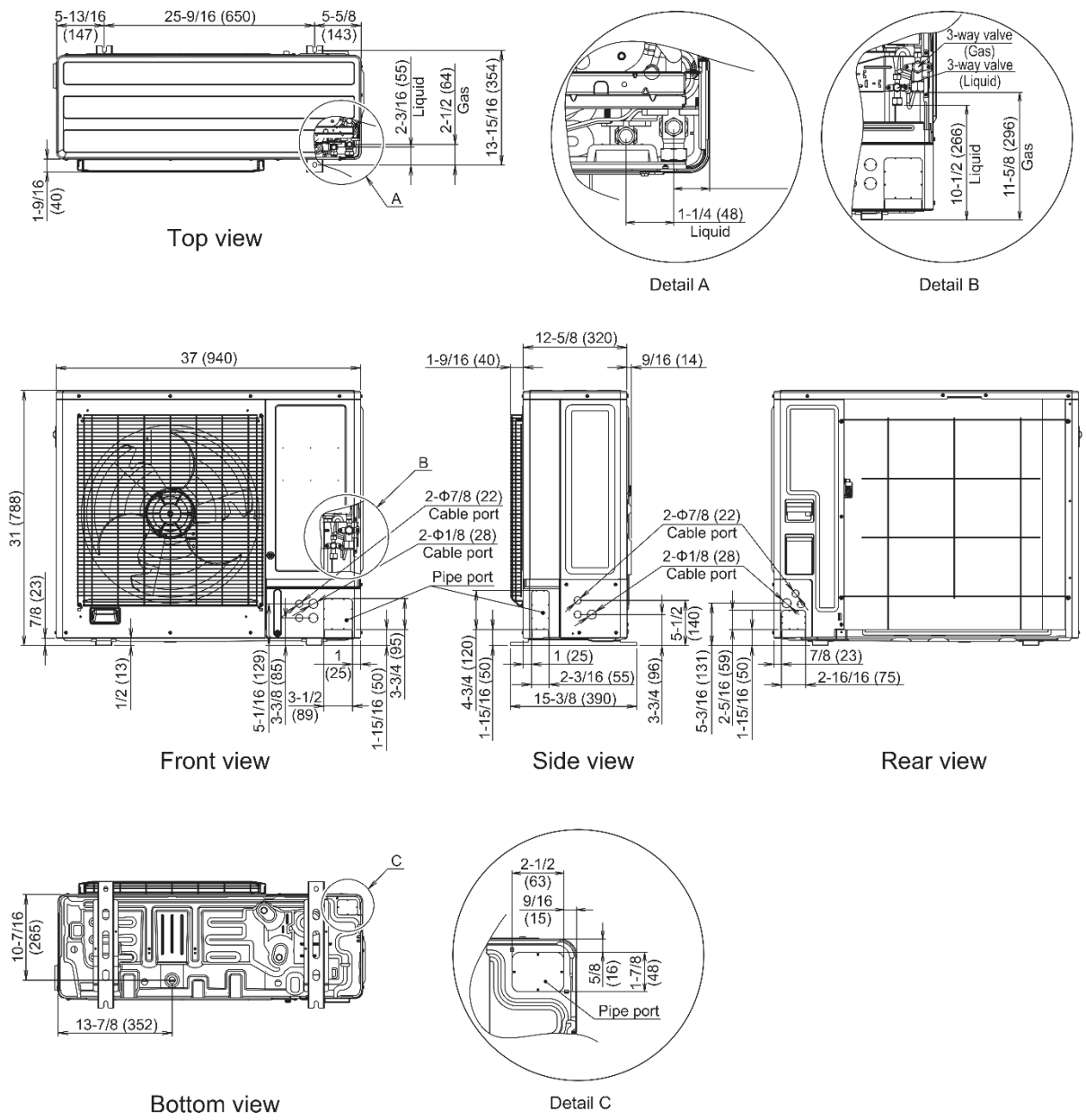
Unit: in (mm)



SUBMITTAL - 36KPAS1

OUTDOOR UNIT DIMENSIONS:

Unit: in (mm)



The Fujitsu logo is a worldwide trademark of Fujitsu General Limited. The Airstage logo and name is a worldwide trademark of Fujitsu General Limited and is a registered trademark in Japan, the USA and other countries or areas. Copyright 2024 Fujitsu General America, Inc. Fujitsu's products are subject to continuous improvements. Fujitsu reserves the right to modify product design, specifications and information in this brochure without notice and without incurring any obligations.