

16 ton HP/HR Outdoor unit, 208/230 VAC, 3-phase, 60 Hz 1 X (AOUA192ULBV5)

Job Name _____
Location _____
Engineer _____
Submitted To _____
Submitted By _____
Reference _____

Date _____
Approval _____
Construction _____
Unit No _____
Drawing No _____

Features

- Compact outdoor unit with single chassis up to 16 tons
- Extended heating capacity to -15 F and cooling to 126 F
- Heat pump and Heat Recovery options with same SKU
- Up to 64 indoor units connectable to 36 ton System
- High static pressure of 0.44 in. W.C on the outdoor fan
- Base pan heater Standard
- Intelligent refrigerant control and operation logic
- Inverter driven scroll compressor and large accumulator
- 10 year Extended Warranty on parts and compressor. See Warranty Statement.



CAPACITY

Nominal Cooling Capacity - BTU/h [kW]	192000[56.2]
Nominal Heating Capacity - BTU/h [kW]	216,000[63.3]
Nominal Tonnage - Ton(s)	16
Maximum Connectable Indoor Units	42
Connectable Capacity	50% to 150%
Cooling Power Input (HR/HP) - kW	16.31/15.62
Heating Power Input (HR/HP) - kW	16.98/16.15
Unit Group	AOUA192ULBV5

OUTDOOR TEMPERATURE OPERATION RANGE

Operating Temp. Cooling (HR/HP) - °F [°C]	14 to 126[-10 to 52] / 5 to 126[-15 to 52]
Operating Temp. Heating (HR/HP) - °F [°C]	-15 to 70[-26 to 21]
Operating Temp. Cooling/Heating Simultaneous(HR) - °F [°C]	14 to 70[-10 to 21]

ELECTRICAL

Electrical Power Requirements	208/230 V ~ 60 Hz
Voltage Range	187-253 V
Maximum Circuit Breaker - A	80
Minimum Circuit Ampacity (MCA) - A	71
Cooling Power Input (HR/HP) - kW	16.31/15.62
Heating Power Input (HR/HP) - kW	16.98/16.15
Maximum Starting Current (MSC) - A	56
Compressor - Rated Load Amperage (RLA) - A	49.2
Fan Motor - Full Load Amperage (FLA) - A	6.8

WIRING

Communication Cable	LonWorks (Fujitsu Pink Cable. See bulletin A20221205A)
---------------------	--

COMPRESSOR

Compressor Type	Scroll (inv) x 2
Refrigerant Type	R410A
Refrigerant Charge - lbs [kg]	26.01[11.8]
Compressor Crankcase Heater - W	35 x 2
Refrigerant Oil / Lubricant	PVE
Compressor Capacity Control - Steps/Range	106 steps/ 12.5 to 100%
Compressor Starting Current - SC (A)	56

PIPING

Max. Total Refrigerant Line Length - ft [m]	2,296 [700]
Max Height Diff. (OD & ID)(Upper/Lower) - ft [m]	164/131 [50/40]
Max. Refrig. Line Length 1st Sep. tube to farthest IU - ft [m]	295[90]
Pipe Connection Method: Liquid/Gas	Brazing
Pipe Connection: Liquid - in [mm]	5/8(15.88)
Pipe Connection: Discharge Gas - in [mm]	7/8(22.22)
Pipe Connection: Suction Gas - in [mm]	1-1/18(28.58)
Maximum Length -Outdoor Unit to Indoor Unit- ft [m]	541(165)

FAN

Fan Type	Propeller fan x 2
Fan Airflow Rate - CFM [m3/h]	13,067[22200]
Fan Power Output - W	740 x 2
Fan Motor - Full Load Amperage (FLA) - A	6.8
External Static Pressure (Max) - in.WG [Pa]	0.44[110]
Motor Output Direct-Drive Inverter - kW	0.74

SOUND

Sound Pressure Levels (Cooling/Heating) - dB(A)	65/67
---	-------

HEAT EXCHANGER

H. E. Pipe Type (Material)	Grooved H-pin (Copper)
H. E. Fin Tube (Material)	Corrugate (Aluminum)
H. E. Fin Surface Treatment	Corrosion resistance (Blue fin)
H. E. Fin Pitch - FPI [mm]	18[1.45]
H. E. Rows x Stages	3 x 60
H. E. Face Area - Ft ² [m ²]	40[3.7]
H. E. Length - in [mm]	57-7/8 [1,470] x 2

WEIGHT

Net Weight - lbs [kg]	930[422]
Gross Weight - lbs [kg]	1041[472]

DIMENSIONS

Dim.Net (HxWxD) - in [mm]	66-9/16 × 63 × 30-1/8 [1,690 × 1,600 × 765]
Dim.Gross (HxWxD) - in [mm]	73-1/4 × 66-9/16 × 35-3/8 [1,860 × 1,690 × 898]

CODE

AHRI Certified	Standard 1230
ETL	220324027GZU-001

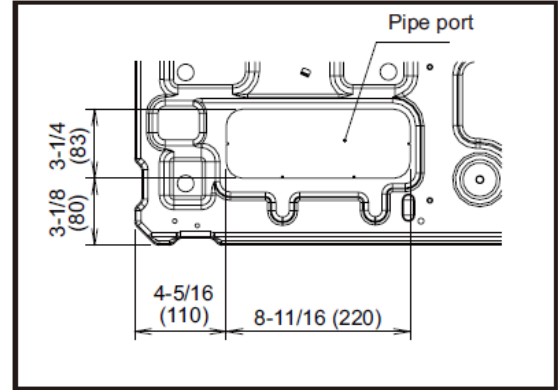
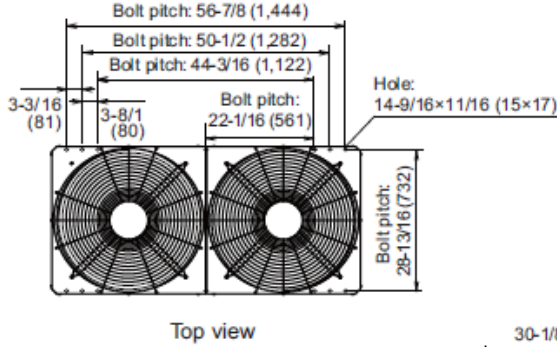
Note: Specifications are based on the following conditions:
 Cooling: Indoor temperature of 80°F (26.7°C) DB/67°F (19.4°C) WB, and outdoor temperature of 95°F (35°C) DB/75°F (23.9°C) WB.
 Heating: Indoor temperature of 70°F (21.1°C) DB/60°F (15.6°C) WB, and outdoor temperature of 47°F (8.3°C) DB/43°F (6.1°C) WB.
 Pipe length: 25ft. (7.5m), Height difference: 0ft. (0m) (Outdoor unit – indoor unit).



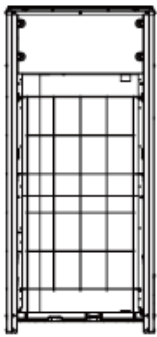
Fujitsu General America, Inc.
 340 Changebridge Road, 3rd Floor
 Pine Brook, NJ 07058
 Toll Free: (888) 888-3424
 Fax: (973) 836-0453
 www.fujitsugeneral.com

DIMENSIONS

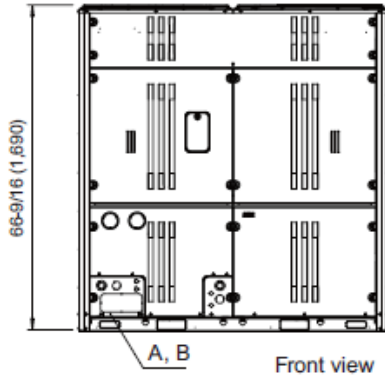
Unit: in (mm)



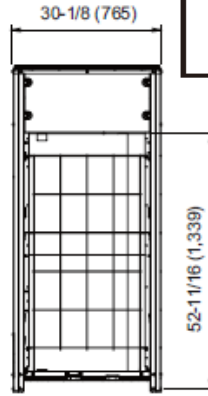
Detail B: Top view



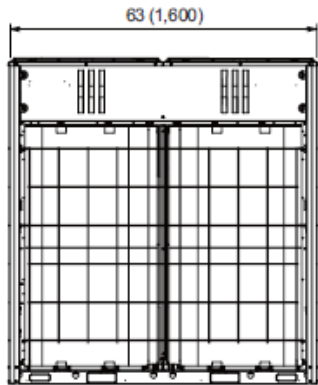
Left view



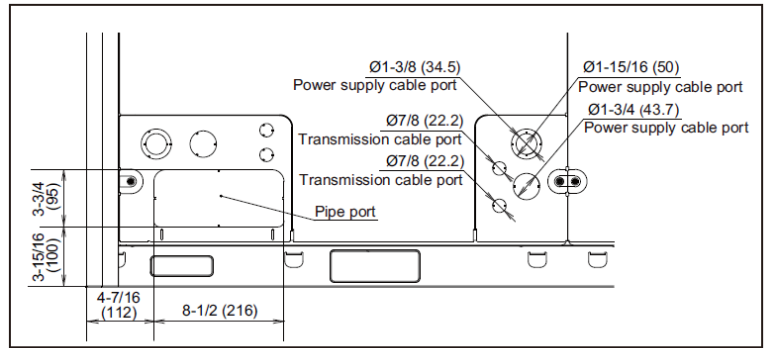
Front view



Right view



Rear view



Detail A: Front view