



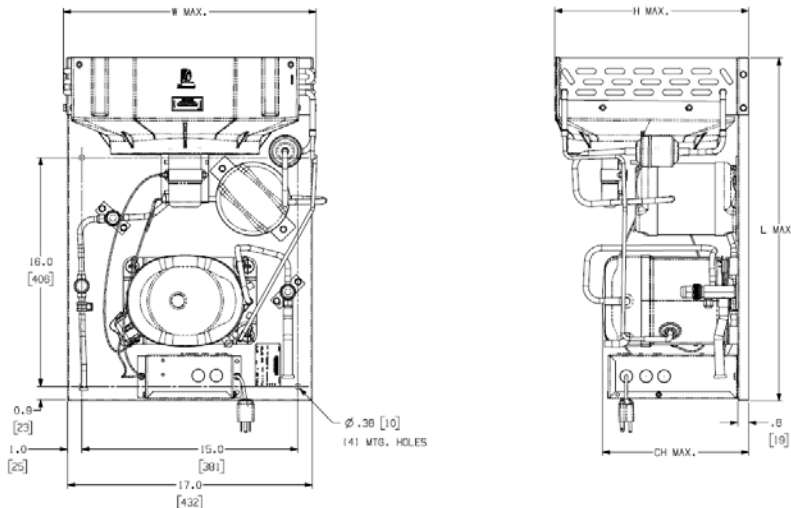
Celseon® Air Cooled Condensing Unit

Model: AKA9470ENAD*

BoM: 2G719-**

R-22

3/4 HP



Model	Dimensions, inches				Line Connection*		Pumpdown	Air	Oil Ch	Gr. Wt.
	L	W	H	CH	Suction	Liquid	90 °F 90%	SCFM	Oz.	Lbs.
AKA9470ENADA	24.0	17.5	13.4	10.2	3/8" S	3/8" S	N/A	270	15	66
AKA9470ENADG					5/8" S	3/8" S	7.1 lbs			67
AKA9470ENADH					5/8" S	3/8" S	N/A			66
AKA9470ENADK					3/8" S	3/8" S				66
AKA9470ENADC					5/8" S	3/8" S	7.1 lbs			67
AKA9470ENADS					5/8" S	3/8" S	N/A			66
AKA9470ENADJ					5/8" S	3/8" S	7.1 lbs			68
AKA9470ENADP					5/8" S	3/8" S	7.1 lbs			68

* F = Flare, S = Solder, RF or RS = Rotolock with Flare or Solder Connections, C = Compression Fitting
Factory charge: 20 PSIG Nitrogen – **MUST BE EVACUATED**

Evaporator T,		Ambient Temperatures								
		90°F			100°F			110°F		
°F	PSIG	BTUH	Watts	Cond T	BTUH	Watts	Cond T	BTUH	Watts	Cond T
-10	16.5	3200	830	100	2800	830	108	---	---	---
-5	20.0	3800	870	100	3300	800	108	3000	890	116
0	24.0	4300	920	101	3800	930	110	3500	940	117
5	28.2	5000	970	103	4500	990	111	4000	1000	119
10	32.8	5600	1020	105	5100	1040	113	4600	1060	121
15	37.7	6300	1070	108	5700	1090	116	5300	1120	123
20	43.0	7000	1130	110	6400	1150	119	5900	1180	126
25	48.8	7800	1180	113	7100	1210	120	6500	1240	128
30	54.8	8500	1240	116	7800	1270	123	7200	1310	131
35	61.5	9300	1290	119	8600	1330	126	7900	1390	133
40	68.5	10100	1360	121	9300	1400	128	8600	1450	136
45	76.0	10900	1430	124	10100	1480	131	9300	1530	138

60 Hz Performance

Return gas temp 40°F below 20°F evaporator,
and 65°F above 20° evap, 5°F sub cooling

Electrical Diagram Page 3

