



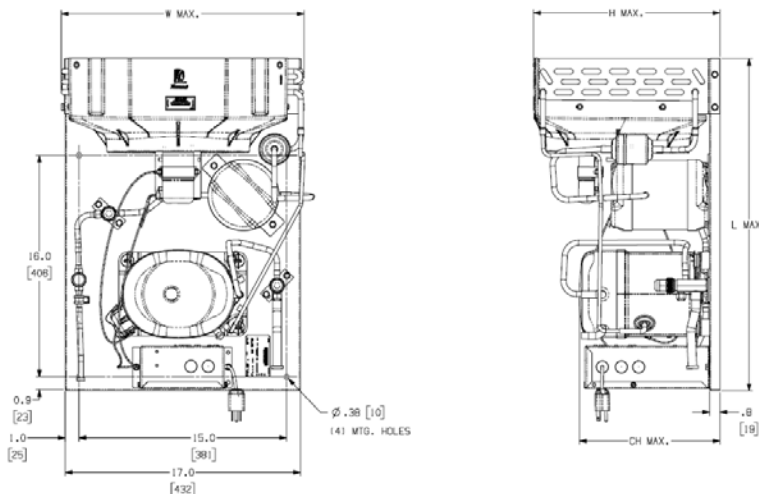
Celseon® Air Cooled Condensing Unit

Model: AKA9461ENAD*

BoM: 2G716-**

R-22

3/4 HP



Model	Dimensions, inches				Line Connection*		Pumpdown	Air	Oil Ch	Gr. Wt.
	L	W	H	CH	Suction	Liquid	90 °F 90%	SCFM	Oz.	Lbs.
AKA9461ENADA	24.0	17.5	13.4	10.2	3/8" S	3/8" S	N/A	270	15	66
AKA9461ENADG					5/8" S	3/8" S	7.1 lbs			67
AKA9461ENADH					5/8" S	3/8" S	N/A			66
AKA9461ENADK					3/8" S	3/8" S	N/A			66
AKA9461ENADC					5/8" S	3/8" S	7.1 lbs			67
AKA9461ENADS					5/8" S	3/8" S	N/A			66
AKA9461ENADJ					5/8" S	3/8" S	7.1 lbs			68
AKA9461ENADP					5/8" S	3/8" S	7.1 lbs			68

* F = Flare, S = Solder, RF or RS = Rotolock with Flare or Solder Connections, C = Compression Fitting

Factory charge: 20 PSIG Nitrogen – **MUST BE EVACUATED**

Evaporator T,		Ambient Temperatures								
		90°F			100°F			110°F		
°F	PSIG	BTUH	Watts	Cond T	BTUH	Watts	Cond T	BTUH	Watts	Cond T
-10	16.5	2600	780	100	2400	780	108	---	---	---
-5	20.0	3000	820	101	2800	830	110	---	---	---
0	24.0	3500	870	103	3300	880	111	---	---	---
5	28.5	4100	910	105	3800	920	113	3500	930	121
10	32.8	4700	950	107	4400	970	115	4100	980	123
15	37.0	5400	1000	108	5100	1020	116	4700	1030	124
20	43.0	6100	1050	110	5700	1070	117	5300	1090	125
25	48.8	6900	1090	112	6500	1120	120	6000	1140	127
30	54.0	7700	1140	113	7200	1170	121	6700	1200	129
35	61.5	8500	1190	116	7900	1230	124	7500	1260	131
40	68.5	9300	1240	119	8700	1280	125	8200	1320	133
45	76.0	10200	1300	121	9600	1340	128	9000	1390	136

60 Hz Performance

Return gas temp 40°F below 20°F evaporator,
and 65°F above 20° evap, 5°F sub cooling

Specifications/ Parts:

Unit Model	AKA9461ENADA
Unit Bill of Material	2G716-09
Refrigeration Range	-10° F to +45° F
Design Pressure Low	150
Design Pressure High	450
Nominal Volts-Hz-Ph	208-230/60/1
Voltage Range	187-254
Min. Circuit Ampacity	7.0
Max. Fuse Size (amps)	15
Compressor Model	AKA9455EXD
Comp. Bill of Material	AK167ET-037-J7
Compressor RLA/LRA	5.3/31
Overload	8300MRAG29
Relay	8200RVAM01
Run Capacitor	85PR370E36
Start Capacitor	85685
Fan Motor	810-10041
Fan Motor RLA	.47
Fan Blade	515-10001
Fan Shroud/Guard Combo	707-00002
Condenser	506-00002
Unit Drawing	DGU1970-02
Wiring Diagram	91266-02
Replacement Kit: Relay	K71-17
Replacement Kit: O/L	K90-20
Replacement Kit: St. cap	K146-02

Unit Model	AKA9461ENADG
Unit Bill of Material	2G716-19
Receiver Tank	510-10002
Liquid Valve	56659
Suction Valve	56660
Unit Model	AKA9461ENADH
Unit Bill of Material	2G716-29
Liquid Valve	56659
Suction Valve	56660
Unit Model	AKA9461ENADK
Unit Bill of Material	2G716-39
Power Cord	85259-7
Unit Model	AKA9461ENADC
Unit Bill of Material	2G716-59
Receiver Tank	510-10002
Liquid Valve	56659
Suction Valve	56660
Power Cord	85259-7
Unit Model	AKA9461ENADS
Unit Bill of Material	2G716-69
Liquid Valve	56659
Suction Valve	56660
Power Cord	85259-7
Unit Model	AKA9461ENADJ
Unit Bill of Material	2G716-79
Receiver Tank	510-10002
Liquid Valve	56659
Suction Valve	56660
Filter Drier	70081
Sight Glass	70084
Unit Model	AKA9461ENADP
Unit Bill of Material	2G716-89
Receiver Tank	510-10002
Liquid Valve	56659
Suction Valve	56660
Power Cord	85259-7
Filter Drier	70081
Sight Glass	70084

Electrical Diagram Page 3

