



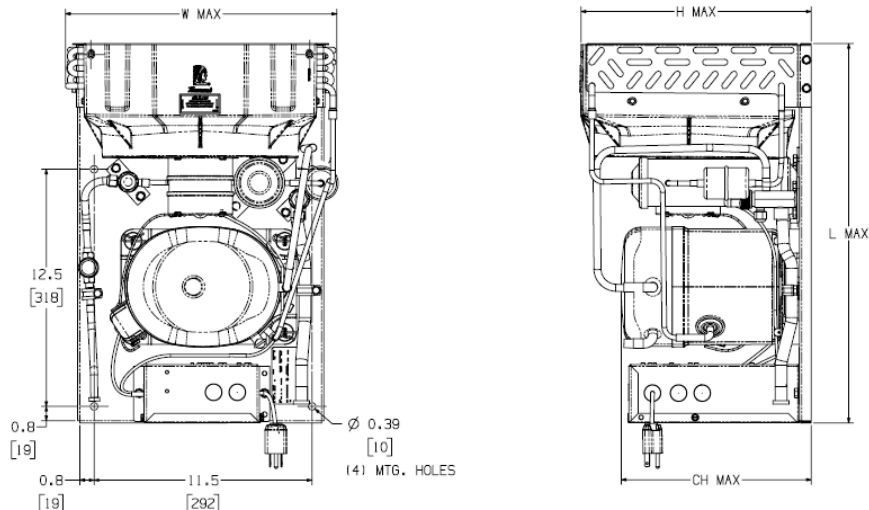
Celseon® Air Cooled Condensing Unit

Model: AKA9446ENAD*

BoM: 2G215-**

R-22

1/2 HP



Model	Dimensions, inches				Line Connection*		Pumpdown	Air	Oil Ch	Gr. Wt.
	L	W	H	CH	Suction	Liquid	90 °F 90%	SCFM	Oz.	Lbs.
AKA9446ENADA	20.0	14.3	12.1	10.1	3/8" S	1/4" S	N/A	230	15	53
AKA9446ENADG					5/8" S	3/8" S	3.1 lbs			54
AKA9446ENADH					5/8" S	3/8" S	N/A			53
AKA9446ENADK					3/8" S	1/4" S	N/A			53
AKA9446ENADC					5/8" S	3/8" S	3.1 lbs			54
AKA9446ENADS					5/8" S	3/8" S	N/A			53
AKA9446ENADJ					5/8" S	3/8" S	3.1 lbs			54
AKA9446ENADP					5/8" S	3/8" S	3.1 lbs			54

* F = Flare, S = Solder, RF or RS = Rotolock with Flare or Solder Connections, C = Compression Fitting

Factory charge: 20 PSIG Nitrogen – **MUST BE EVACUATED**

Evaporator T,		Ambient Temperatures								
		90°F			100°F			110°F		
°F	PSIG	BTUH	Watts	Cond T	BTUH	Watts	Cond T	BTUH	Watts	Cond T
-10	16.5	1800	510	100	1450	440	108	---	---	---
-5	20.0	2200	560	101	1800	540	110	1400	525	119
0	24.0	2600	600	105	2200	590	113	1750	580	121
5	28.2	3050	620	107	2600	640	116	2150	630	123
10	32.8	3500	690	110	3100	690	117	2600	690	126
15	37.7	4050	730	113	3550	735	120	3100	740	130
20	43.0	4600	780	116	4100	780	124	3600	795	132
25	48.8	5150	820	119	4600	835	127	4100	850	136
30	54.8	5700	870	121	5150	890	130	4700	915	138
35	61.5	6300	920	126	5700	940	133	5200	970	142
40	68.5	6900	965	128	6350	1000	137	---	---	---
45	76.0	7600	1020	132	6900	1050	139	---	---	---

60 Hz Performance

Return gas temp 40°F below 20°F evaporator,
and 65°F above 20° evap, 5°F sub cooling

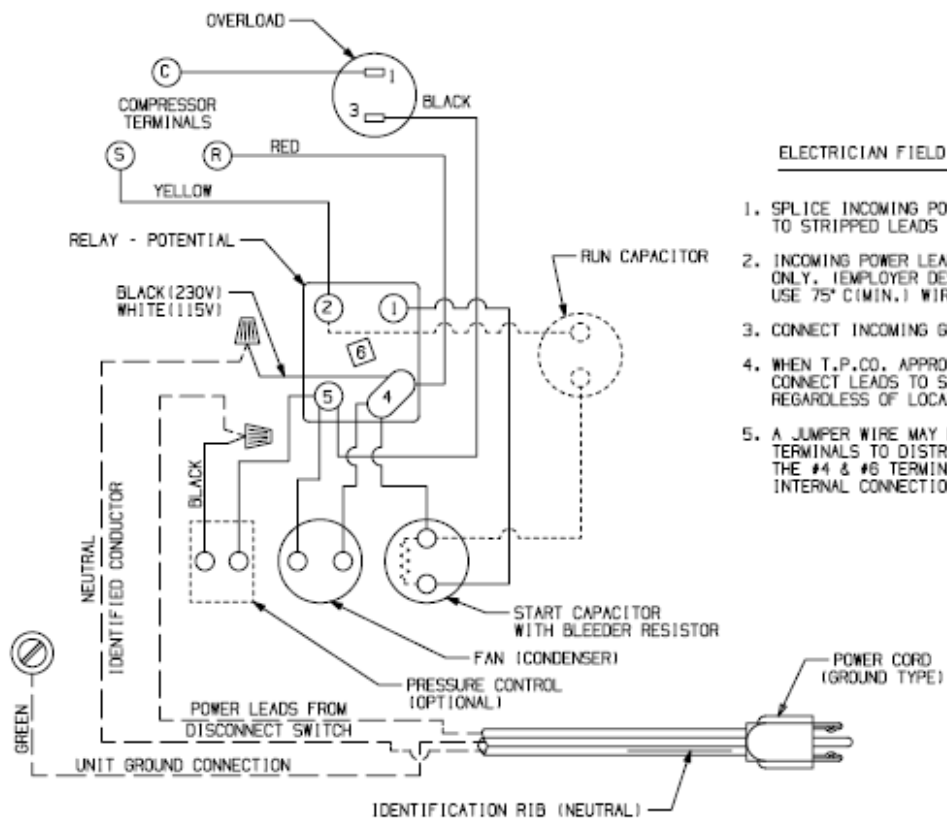
Specifications/ Parts:

Unit Model	AKA9446ENADA
Unit Bill of Material	2G215-09
Refrigeration Range	-10° F to +45° F
Design Pressure Low	150
Design Pressure High	450
Nominal Volts-Hz-Ph	208-230/60/1
Voltage Range	187-254
Min. Circuit Ampacity	5.8
Max. Fuse Size (amps)	15
Compressor Model	AKA9442EXD
Comp. Bill of Material	AK165ET-037-J7
Compressor RLA/LRA	4.3/31
Overload	8300MRTG57
Relay	8200RVAM01
Run Capacitor	85PR370E36
Start Capacitor	85685
Fan Motor	810-10096
Fan Motor RLA	.45
Fan Blade	515-10003
Fan Shroud/Guard Combo	707-00005
Condenser	506-10008
Unit Drawing	DGU1970-04
Wiring Diagram	91266-02
Replacement Kit: Relay	K71-17
Replacement Kit: O/L	K90-87
Replacement Kit: St. Cap	K146-02

Unit Model	AKA9446ENADG
Unit Bill of Material	2G215-19
Receiver Tank	510-10000
Liquid Valve	56659
Suction Valve	56660
Unit Model	AKA9446ENADH
Unit Bill of Material	2G215-29
Liquid Valve	56659
Suction Valve	56660
Unit Model	AKA9446ENADK
Unit Bill of Material	2G215-39
Power Cord	85259-7
Unit Model	AKA9446ENADC
Unit Bill of Material	2G215-59
Receiver Tank	510-10000
Liquid Valve	56659
Suction Valve	56660
Power Cord	85259-7
Unit Model	AKA9446ENADS
Unit Bill of Material	2G215-69
Liquid Valve	56659
Suction Valve	56660
Power Cord	85259-7
Unit Model	AKA9446ENADJ
Unit Bill of Material	2G215-79
Receiver Tank	510-10000
Liquid Valve	56659
Suction Valve	56660
Filter Drier	71116
Sight Glass	70084
Unit Model	AKA9446ENADP
Unit Bill of Material	2G215-89
Receiver Tank	510-10000
Liquid Valve	56659
Suction Valve	56660
Power Cord	85259-7
Filter Drier	71116
Sight Glass	70084

Electrical Diagram Page 3

CHG. B	PART NO. 91286-02
-----------	----------------------



ELECTRICIAN FIELD WIRING AND INSTRUCTIONS

1. SPLICE INCOMING POWER LEADS, FROM DISCONNECT SWITCH, TO STRIPPED LEADS IN THIS ENCLOSURE.
2. INCOMING POWER LEADS MUST BE COPPER CONDUCTORS ONLY. (EMPLOYER DES CONDUCTEURS DE CUIVRE SEULEMENT.) USE 75° C (MIN.) WIRING.
3. CONNECT INCOMING GROUND LEAD TO GREEN SCREW.
4. WHEN T.P.CO. APPROVED ALTERNATE RELAY IS USED, CONNECT LEADS TO SAME NUMBERED TERMINALS, REGARDLESS OF LOCATION.
5. A JUMPER WIRE MAY BE CONNECTED BETWEEN #4 & #6 TERMINALS TO DISTRIBUTE WIRES FOR EASE OF WIRING. THE #4 & #6 TERMINALS ARE WIRING TERMINALS WITH NO INTERNAL CONNECTIONS TO RELAY.