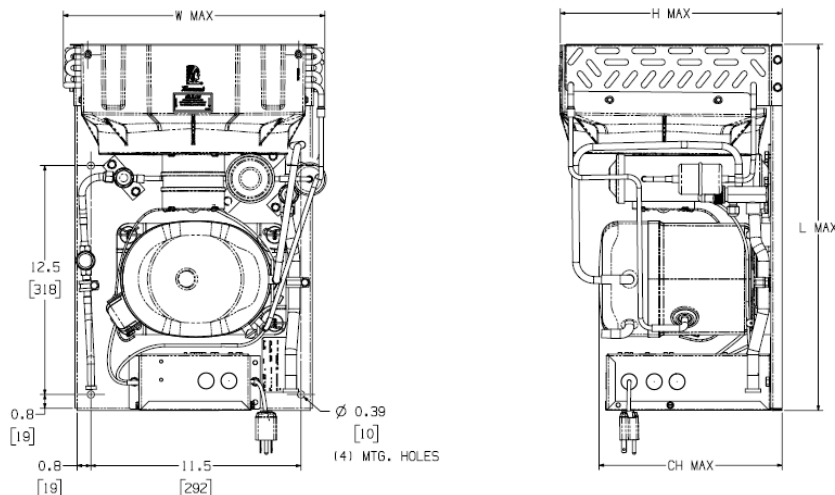




Celseon® Indoor Condensing Unit Technical Data Sheet

Tecumseh

Model: AKA2430ZAAD* BoM: 2G739-** R-404A / R-448A / R-449A 3/4 HP



Model	Dimensions, inches				Line Connection*		Pumpdown	Air	Oil Ch	Gr. Wt.
	L	W	H	CH	Suction	Liquid	90 °F 90%	SCFM	Oz.	Lbs.
AKA2430ZAADA	20.0	14.3	12.1	10.1	3/8" S	1/4" S	N/A	230	17	63
AKA2430ZAADG					5/8" S	3/8" S	2.7 lbs			64
AKA2430ZAADH					5/8" S	3/8" S	N/A			63
AKA2430ZAADK					3/8" S	1/4" S	N/A			63
AKA2430ZAADC					5/8" S	3/8" S	2.7 lbs			64
AKA2430ZAADS					5/8" S	3/8" S	N/A			63
AKA2430ZAADJ					5/8" S	3/8" S	2.7 lbs			64
AKA2430ZAADP					5/8" S	3/8" S	2.7 lbs			64

* F = Flare, S = Solder, RF or RS = Rotolock with Flare or Solder Connections, C = Compression Fitting
Factory charge: 20 PSIG Nitrogen – **MUST BE EVACUATED**

Evaporator T,		R-404A Performance											
		80°F			90°F			100°F			110°F		
°F	PSIG	BTUH	Watts	Cond T	BTUH	Watts	Cond T	BTUH	Watts	Cond T	BTUH	Watts	Cond T
-40	4.3	1133	456	88	870	1011	97	607	1567	105	344	2122	113
-35	6.7	1502	382	90	1207	882	98	912	1382	106	617	1882	115
-30	9.6	1880	336	91	1553	781	100	1226	1225	108	899	1670	116
-25	12.7	2268	318	93	1909	707	102	1550	1097	110	1191	1486	118
-20	16.0	2665	328	95	2274	662	103	1883	996	112	1493	1330	120
-15	19.7	3071	366	97	2649	645	105	2226	924	114	1804	1203	122
-10	23.7	3488	433	99	3033	656	108	2579	879	116	2124	1103	124
-5	27.9	3913	527	102	3427	695	110	2941	863	118	2454	1031	126
0	32.6	4349	650	104	3830	762	112	3312	875	121	2794	987	129
5	37.6	4793	800	107	4243	857	115	3693	915	123	3143	972	131
10	43.1	5248	979	109	4666	981	118	4084	982	126	3501	984	134

Performance @ 60Hz, Return Gas 40°F, Sub cooling 5°F

Evaporator T,		R-448A / R-449A Performance											
		80°F			90°F			100°F			110°F		
°F	PSIG	BTUH	Watts	Cond T	BTUH	Watts	Cond T	BTUH	Watts	Cond T	BTUH	Watts	Cond T
-40	0.0	698	371	90	703	384	100	709	396	108	714	408	117
-35	2.1	877	411	91	838	423	101	800	434	109	762	446	118
-30	4.4	1094	454	92	1012	465	101	930	476	110	848	487	119
-25	7.0	1349	500	94	1223	510	102	1097	521	111	971	531	120
-20	9.8	1643	549	95	1473	559	104	1303	569	112	1133	578	121
-15	13.0	1974	601	98	1761	611	106	1547	620	114	1333	629	122
-10	16.4	2344	657	100	2087	666	108	1829	674	116	1572	683	124
-5	20.2	2752	716	103	2450	724	111	2149	732	118	1848	740	126
0	24.3	3197	778	107	2852	785	114	2507	793	121	2162	800	128
5	28.8	3681	843	111	3292	850	118	2903	857	125	2514	863	131
10	33.6	4203	912	115	3770	918	122	3338	924	128	2905	930	135

Performance @ 60Hz, Return Gas 40°F, Sub cooling 5°F

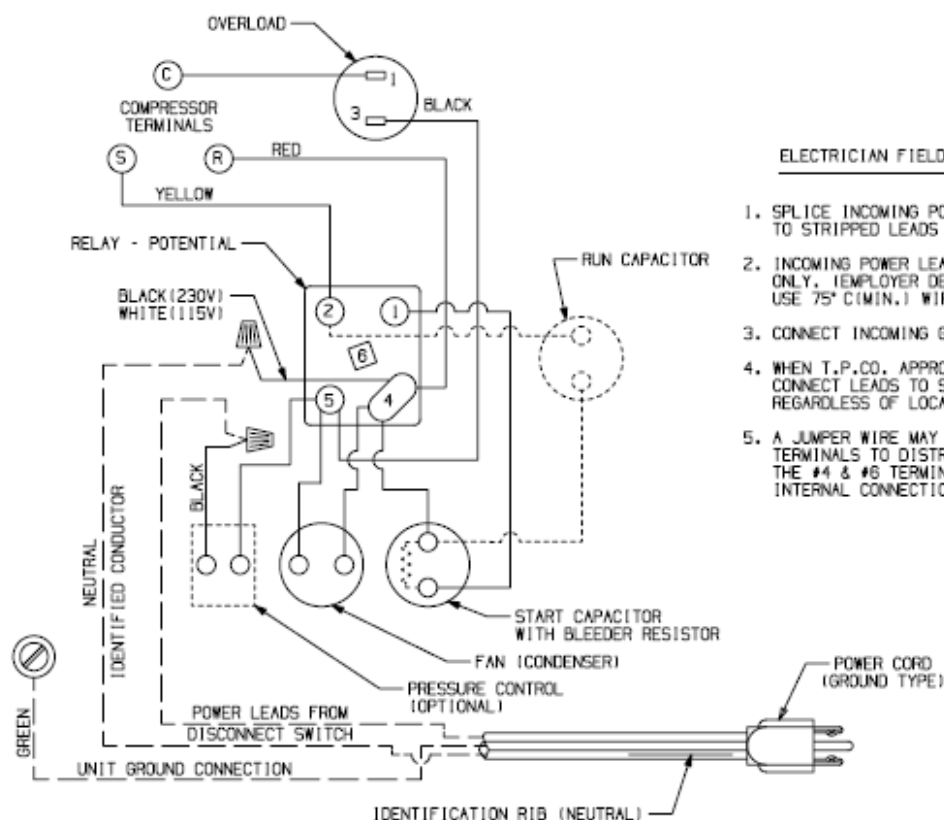
Specifications/ Parts:

Unit Model	AKA2430ZAADA
Unit Bill of Material	2G739-09
Refrigeration Range	-40° F to +10° F
Design Pressure Low	181
Design Pressure High	450
Nominal Volts-Hz-Ph	115/60/1
Voltage Range	103 to 127
Min. Circuit Ampacity	9.1
Max. Fuse Size (amps)	15
Compressor Model	AKA2425ZXA
Comp. Bill of Material	AK176AT-037-J7
Compressor RLA/LRA	6.3/40
Overload	8300MRRT42
Relay	8200RVAL96
Run Capacitor	85PR370F17
Start Capacitor	85PS330D15
Fan Motor	810-10097
Fan Motor RLA	.85
Fan Blade	515-10003
Fan Shroud/Guard Combo	707-00005
Condenser	506-10008
Unit Drawing	DGU1970-04
Wiring Diagram	91266-02
Replacement Kit: Relay	K71-43
Replacement Kit: O/L	K90-63
Replacement Kit: St. Cap	K146-42
Unit Model	AKA2430ZAADG
Unit Bill of Material	2G739-19
Receiver Tank	510-10000
Liquid Valve	56659
Suction Valve	56660

Unit Model	AKA2430ZAADH
Unit Bill of Material	2G739-29
Liquid Valve	56659
Suction Valve	56660
Unit Model	AKA2430ZAADK
Unit Bill of Material	2G739-39
Power Cord	85106-22
Unit Model	AKA2430ZAADC
Unit Bill of Material	2G739-59
Receiver Tank	510-10000
Liquid Valve	56659
Suction Valve	56660
Power Cord	85106-22
Unit Model	AKA2430ZAADS
Unit Bill of Material	2G739-69
Liquid Valve	56659
Suction Valve	56660
Power Cord	85106-22
Unit Model	AKA2430ZAADJ
Unit Bill of Material	2G739-79
Receiver Tank	510-10000
Liquid Valve	56659
Suction Valve	56660
Filter Drier	71116
Sight Glass	70084
Unit Model	AKA2430ZAADP
Unit Bill of Material	2G739-89
Receiver Tank	510-10000
Liquid Valve	56659
Suction Valve	56660
Power Cord	85106-22
Filter Drier	71116
Sight Glass	70084

Electrical Diagram

CHG. B	PART NO. 91266-02
-----------	----------------------



ELECTRICIAN FIELD WIRING AND INSTRUCTIONS

1. SPLICE INCOMING POWER LEADS, FROM DISCONNECT SWITCH, TO STRIPPED LEADS IN THIS ENCLOSURE.
2. INCOMING POWER LEADS MUST BE COPPER CONDUCTORS ONLY. (EMPLOYER DES CONDUCTEURS DE CUIVRE SEULEMENT.) USE 75° C (MIN.) WIRING.
3. CONNECT INCOMING GROUND LEAD TO GREEN SCREW.
4. WHEN T.P.CO. APPROVED ALTERNATE RELAY IS USED, CONNECT LEADS TO SAME NUMBERED TERMINALS, REGARDLESS OF LOCATION.
5. A JUMPER WIRE MAY BE CONNECTED BETWEEN #4 & #6 TERMINALS TO DISTRIBUTE WIRES FOR EASE OF WIRING. THE #4 & #6 TERMINALS ARE WIRING TERMINALS WITH NO INTERNAL CONNECTIONS TO RELAY.