



Tecumseh

Indoor Condensing Unit Technical Datasheet

JULY 14, 2021
Revision: REL

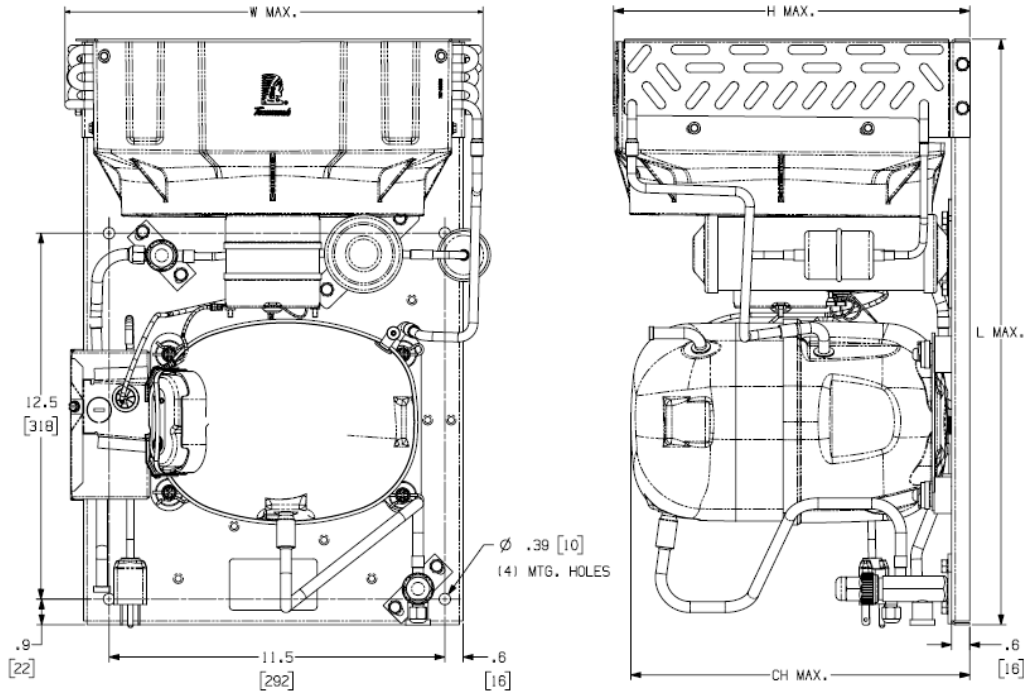
Model: AJ4480Y-AA1CD*

BoM: 29G733-**

R-134a

3/4 HP

Air Cooled



| Model | Dimensions, inches | | | | Line Connection* | | Pumpdown | Air | Oil Ch | Gr. Wt. |
|----------------|--------------------|------|------|------|------------------|--------|-----------|------|--------|---------|
| | L | W | H | CH | Suction | Liquid | 90 °F 90% | SCFM | Oz. | Lbs. |
| AJ4480Y-AA1CDG | 20.0 | 14.3 | 12.1 | 11.6 | 5/8" S | 3/8" S | 2.92 lbs. | 230 | 16 | 64 |
| AJ4480Y-AA1CDH | | | | | 5/8" S | 3/8" S | N/A | | | 63 |
| AJ4480Y-AA1CDC | | | | | 5/8" S | 3/8" S | 2.92 lbs. | | | 64 |
| AJ4480Y-AA1CDS | | | | | 5/8" S | 3/8" S | N/A | | | 63 |

* F = Flare, S = Solder, RF or RS = Rotolock with Flare or Solder Connections, C = Compression Fitting
Factory charge: 20 PSIG Nitrogen – **MUST BE EVACUATED**

| Evaporator T, | | Ambient Temperatures | | | | | | | | | | | |
|---------------|------|----------------------|-------|--------|------|-------|--------|-------|-------|--------|-------|-------|--------|
| | | 80°F | | | 90°F | | | 100°F | | | 110°F | | |
| °F | PSIG | BTUH | Watts | Cond T | BTUH | Watts | Cond T | BTUH | Watts | Cond T | BTUH | Watts | Cond T |
| 20 | 18.4 | 5305 | 875 | 112 | 4791 | 878 | 120 | 4300 | 881 | 128 | 3829 | 884 | 135 |
| 25 | 22.1 | 5883 | 946 | 116 | 5328 | 954 | 123 | 4796 | 962 | 131 | 4287 | 970 | 139 |
| 30 | 26.1 | 6467 | 1022 | 120 | 5871 | 1035 | 127 | 5298 | 1047 | 135 | 4749 | 1060 | 142 |
| 35 | 30.4 | 7051 | 1101 | 124 | 6413 | 1119 | 131 | 5800 | 1136 | 138 | --- | --- | --- |
| 40 | 35.1 | 7631 | 1184 | 127 | 6950 | 1207 | 135 | 6294 | 1229 | 142 | --- | --- | --- |
| 45 | 40.1 | 8201 | 1271 | 131 | 7550 | 1298 | 139 | --- | --- | --- | --- | --- | --- |
| 50 | 45.5 | 8756 | 1362 | 135 | 7988 | 1394 | 142 | --- | --- | --- | --- | --- | --- |

60 Hz Performance

Return gas temp 40°F below 20°F evaporator,
and 65°F above 20° evap, 5°F sub cooling

Specifications/ Parts:

| | |
|------------------------------|-----------------------|
| Unit Model | AJ4480Y-AA1CD* |
| Unit Bill of Material | 29G733-** |
| Refrigeration Range | 20° F to 55° F |
| Design Pressure Low | 150 |
| Design Pressure High | 450 |
| Nominal Volts-Hz-Ph | 115/60/1 |
| Voltage Range | 103 to 127 |
| Min. Circuit Ampacity | 17.9 |
| Max. Fuse Size (amps) | 30 |
| Compressor Model | AJ4492Y-XA1A |
| Comp. Bill of Material | AJ4YL1AF843P00-S |
| Compressor RLA/LRA | 13.6/56 |
| Overload | 571654 |
| Relay | 8200RVAM20 |
| Run Capacitor | N/A |
| Start Capacitor | 85PS165E26 |
| Replacement Kit: Relay | K71-18 |
| Replacement Kit: St. Cap | K146-58 |
| Replacement Kit: O/L | K90-164 |
| Fan Motor | 810-10097 |
| Fan Motor RLA | .85 |
| Fan Blade | 515-10003 |
| Fan Shroud/Guard Combo | 707-00005 |
| Condenser | 506-10008 |
| Unit Drawing | DGU1971-27 |
| Wiring Diagram | 91266-02 |

| | |
|------------------------------|-----------------------|
| Unit Model | AJ4480Y-AA1CDG |
| Unit Bill of Material | 29G733-19 |
| Receiver Tank | 510-10000 |
| Liquid Valve | 56659 |
| Suction Valve | 56660 |
| | |
| Unit Model | AJ4480Y-AA1CDH |
| Unit Bill of Material | 29G733-29 |
| Liquid Valve | 56659 |
| Suction Valve | 56660 |
| | |
| Unit Model | AJ4480Y-AA1CDC |
| Unit Bill of Material | 29G733-59 |
| Receiver Tank | 510-10000 |
| Liquid Valve | 56659 |
| Suction Valve | 56660 |
| Power Cord | 85106-22 |
| | |
| Unit Model | AJ4480Y-AA1CDS |
| Unit Bill of Material | 29G733-69 |
| Liquid Valve | 56659 |
| Suction Valve | 56660 |
| | |
| | |
| | |
| | |

Electrical Diagram

