



Tecumseh

Indoor Condensing Unit Technical Datasheet

JULY 16, 2021
Revision: REL

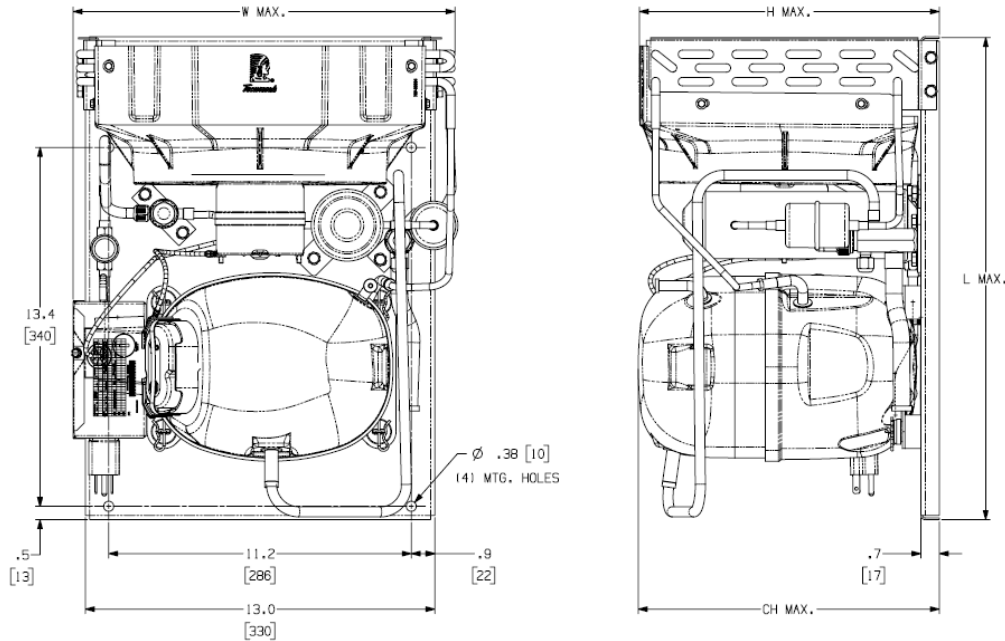
Model: AJ2423Z-AA1CD*

BoM: 29G202-**

R-404A

1/2 HP

Air Cooled



Model	Dimensions, inches				Line Connection*		Pumpdown	Air	Oil Ch	Gr. Wt.
	L	W	H	CH	Suction	Liquid	90 °F 90%	SCFM	Oz.	Lbs.
AJ2423Z-AA1CDG	18.0	14.2	11.2	11.2	5/8" S	3/8" S	1.95 lbs	185	16	64
AJ2423Z-AA1CDC							1.95 lbs			64
AJ2423Z-AA1CDS							N/A			62
AJ2423Z-AA1CDJ							1.95 lbs			64
AJ2423Z-AA1CDP							1.95 lbs			64

* F = Flare, S = Solder, RF or RS = Rotolock with Flare or Solder Connections, C = Compression Fitting
 Factory charge: 20 PSIG Nitrogen – **MUST BE EVACUATED**

Evaporator T,		Ambient Temperatures											
		80°F			90°F			100°F			110°F		
°F	PSIG	BTUH	Watts	Cond T	BTUH	Watts	Cond T	BTUH	Watts	Cond T	BTUH	Watts	Cond T
-40	4.3	963	379	88	821	368	98	628	345	107	374	320	114
-35	6.8	1207	419	90	1032	409	99	831	388	108	588	365	116
-30	9.7	1461	460	92	1254	453	101	1041	434	110	804	412	118
-25	12.4	1726	504	94	1487	498	103	1260	482	112	1022	462	120
-20	16.0	2000	549	97	1732	545	105	1486	532	114	1243	515	122
-15	19.7	2284	597	99	1987	595	108	1721	584	116	1465	570	124
-10	23.7	2579	646	102	2254	646	110	1964	638	118	1690	627	127
-5	28.0	2883	697	105	2532	700	113	2214	695	121	1916	687	129
0	32.6	3197	751	108	2820	756	116	2473	754	124	2145	750	132
5	37.6	3521	806	111	3121	814	119	2740	815	127	2376	815	135
10	43.1	3855	863	115	3432	874	122	3014	878	130	2609	882	138

60 Hz Performance

Return gas temp 40°F below 20°F evaporator

Specifications/ Parts:

Unit Model	AJ2423Z-AA1CD*
Unit Bill of Material	29G202-**
Refrigeration Range	-40° F to +10° F
Design Pressure Low	181
Design Pressure High	450
Nominal Volts-Hz-Ph	115/60/1
Voltage Range	103 to 127
Min. Circuit Ampacity	11.1
Max. Fuse Size (amps)	15
Compressor Model	AJ2419Z-XA1A
Comp. Bill of Material	AJ2ZA1AF840P00-S
Compressor RLA/LRA	8.6/49
Overload	571653
Overload Kit:	K90-163
Relay	8200RVAM20
Run Capacitor	N/A
Start Capacitor	85PS165E26
Replacement Kit: Relay	K71-18
Replacement Kit: St. Cap	K146-58
Unit Drawing	DGU1971-28
Wiring Diagram	91266-02
Fan Motor	810-10095
Fan Motor RLA	.38
Fan Blade	515-10002
Fan Shroud/Guard Combo	707-00004
Condenser	506-10004
Unit Model	AJ2423Z-AA1CDG
Unit Bill of Material	29G202-19
Receiver Tank	510-10000
Liquid Valve	56659
Suction Valve	56660

Unit Model	AJ2423Z-AA1CDC
Unit Bill of Material	29G202-59
Receiver	510-10000
Liquid Valve	56659
Suction Valve	56660
Power Cord	85106-22
Unit Model	AJ2423Z-AA1CDS
Unit Bill of Material	29G202-69
Liquid Valve	56659
Suction Valve	56660
Power Cord	85106-22
Unit Model	AJ2423Z-AA1CDJ
Unit Bill of Material	29G202-79
Receiver Tank	510-10000
Liquid Valve	56659
Suction Valve	56660
Filter Drier	71116
Sight Glass	70084-S
Unit Model	AJ2423Z-AA1CDP
Unit Bill of Material	29G202-89
Receiver Tank	510-10000
Liquid Valve	56659
Suction Valve	56660
Filter Drier	71116
Sight Glass	70084-S
Power Cord	85106-22

Electrical Diagram

