



Celseon® Air Cooled Condensing Unit

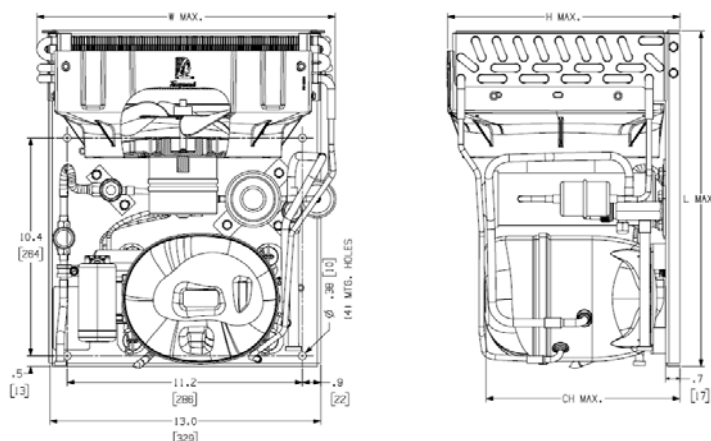


Model: AE4450Y-AA1AD*

BoM: 2G224-**

R-134a

1/2 HP



Model	Dimensions, inches				Line Connection*		Pumpdown	Air	Oil Ch	Gr. Wt.
	L	W	H	CH	Suction	Liquid	90 °F 90%	SCFM	Oz.	Lbs.
AE4450Y-AA1ADA	16.0	14.3	11.1	9.3	5/16" S	1/4" S	N/A	185	9.5	39
AE4450Y-AA1ADG					1/2" S	3/8" S	2.9 lbs			41
AE4450Y-AA1ADH					1/2" S	3/8" S	N/A			39
AE4450Y-AA1ADK					5/16" S	1/4" S	N/A			39
AE4450Y-AA1ADC					1/2" S	3/8" S	2.9 lbs			41
AE4450Y-AA1ADS					1/2" S	3/8" S	N/A			39
AE4450Y-AA1ADJ					1/2" S	3/8" S	2.9 lbs			41
AE4450Y-AA1ADP					1/2" S	3/8" S	2.9 lbs			41

* F = Flare, S = Solder, RF or RS = Rotolock with Flare or Solder Connections, C = Compression Fitting
Factory charge: 20 PSIG Nitrogen – **MUST BE EVACUATED**

Ambient Temperatures

Evaporator T,		Ambient Temperatures											
		80°F			90°F			100°F			110°F		
°F	PSIG	BTUH	Watts	Cond T	BTUH	Watts	Cond T	BTUH	Watts	Cond T	BTUH	Watts	Cond T
5	9.3	2410	444	95	2213	456	105	2016	467	114	1818	479	124
10	12.1	2726	473	97	2506	486	107	2286	500	116	2066	513	126
15	15.3	3058	503	99	2815	518	109	2572	533	118	2329	548	128
20	18.6	3406	533	101	3140	550	111	2874	568	120	2608	585	130
25	22.3	3770	565	104	3481	584	113	3192	603	122	2903	622	132
30	26.3	4150	598	106	3838	619	115	3526	640	125	3215	661	134
35	30.6	4546	631	109	4211	654	118	3877	678	127	3542	701	136
40	35.2	4958	666	112	4600	691	121	4243	716	130	3885	741	139
45	40.2	5385	702	114	5005	729	124	4625	756	133	4244	783	142
50	45.6	5829	739	118	5426	768	127	5023	797	136	---	---	---
55	51.4	6289	777	121	5863	808	130	5437	838	139	---	---	---

60 Hz Performance

Return gas temp 40°F below 20°F evaporator,
and 65°F above 20° evap, 5°F sub cooling

Specifications/ Parts:

Unit Model	AE4450Y-AA1ADA
Unit Bill of Material	2G224-09
Refrigeration Range	5° F to 55° F
Design Pressure Low	150
Design Pressure High	450
Nominal Volts-Hz-Ph	115/60/1
Voltage Range	103-127
Min. Circuit Ampacity	10.5
Max. Fuse Size (amps)	15
Compressor Model	AE4450Y-AA1A
Comp. Bill of Material	AE1154E-209-J7
Compressor RLA/LRA	8.1/42
Overload	830-10094
Relay	820-10078
Run Capacitor	N/A
Start Capacitor	85PS165D64
Fan Motor	810-10095
Fan Motor RLA	.38
Fan Blade	515-10002
Fan Shroud/Guard Combo	707-00004
Condenser	506-10035
Unit Drawing	DGU1972-02
Wiring Diagram	91266-01
Replacement Kit: Relay	K71-41
Replacement Kit: O/L	K90-61
Replacement Kit: St. Cap	K146-55

Unit Model	AE4450Y-AA1ADG
Unit Bill of Material	2G224-19
Receiver Tank	510-10000
Liquid Valve	56659
Suction Valve	56663
Unit Model	AE4450Y-AA1ADH
Unit Bill of Material	2G224-29
Liquid Valve	56659
Suction Valve	56663
Unit Model	AE4450Y-AA1ADK
Unit Bill of Material	2G224-39
Power Cord	85106-14
Unit Model	AE4450Y-AA1ADC
Unit Bill of Material	2G224-59
Receiver Tank	510-10000
Liquid Valve	56659
Suction Valve	56663
Power Cord	85106-14
Unit Model	AE4450Y-AA1ADS
Unit Bill of Material	2G224-69
Liquid Valve	56659
Suction Valve	56663
Power Cord	85106-14
Unit Model	AE4450Y-AA1ADJ
Unit Bill of Material	2G224-79
Receiver Tank	510-10000
Liquid Valve	56659
Suction Valve	56663
Filter Drier	71116
Sight Glass	70084
Unit Model	AE4450Y-AA1ADP
Unit Bill of Material	2G224-89
Receiver Tank	510-10000
Liquid Valve	56659
Suction Valve	56663
Power Cord	85106-14
Filter Drier	71116
Sight Glass	70084

Electrical Diagram Page 3

