

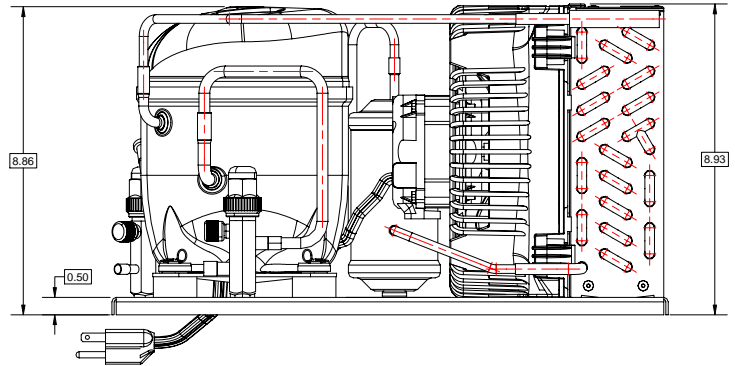
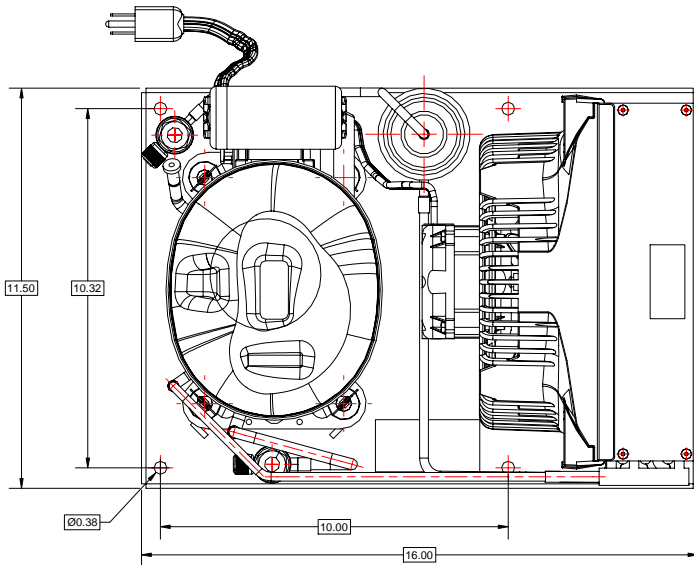
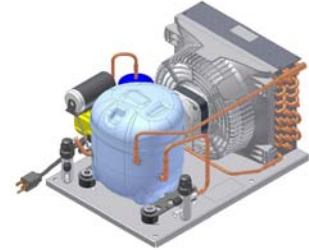


CELSEON[®] LOW PROFILE CONDENSING UNIT



Model AE4440A-AA1ASK, -SB, -SC, -SS
BOM 32F362-39S, -49S, -59S, -69S

Air Cooled 1/3 HP
Application High Temp
Refrigerant R12 compatible
Volts-Hz-Ph 115-60-1



Model	Dimensions, inches (mm)			Line Connections		Pumpdown 90% @90oF	AirFlow CFM	Oil Ch. Oz.	Gross weight Lbs. (kg)		
	L	W	H	Suction	Liquid						
AE4440A-AA1ASK	16.0 (406)	11.5 (292)	8.9 (226)	5/16" Sweat	1/4" Sweat	n/a	190	12.85	38.1 (17.3)		
AE4440A-AA1ASB				3/8" Valve Sweat	1/4" Valve Sweat	2.58			38.7 (17.3)		
AE4440A-AA1ASC											39.5 (17.9)
AE4440A-AA1ASS										n/a	38.9 (17.6)

Factory charge 20 PSIG dry air, MUST BE EVACUATED

Evaporator	Ambient Temperatures																	
	T, °F		80°F				90°F				100°F				110°F			
			PSIG	BTUH	Watts	Head	Cond T	BTUH	Watts	Head	Cond T	BTUH	Watts	Head	Cond T	BTUH	Watts	Head
10	14.8	2170	330	112	97	2120	340	132	108	1950	360	152	118	1840	360	173	127	
15	17.9	2430	350	117	100	2370	370	137	110	2220	380	158	120	2060	390	180	130	
20	21.2	2690	370	122	103	2640	390	143	113	2470	400	164	123	2300	420	187	133	
25	24.8	2980	400	128	106	2920	420	149	116	2750	430	171	126	2550	450	195	136	
30	28.6	3270	420	135	109	3200	450	156	120	3010	460	178	129	2800	480	203	139	
35	32.7	3590	450	142	113	3500	480	164	123	3290	500	187	132	3070	520	212	142	
40	37.1	3920	480	150	116	3810	510	173	127	3580	530	196	136	3330	560	222	146	
45	41.8	4260	520	158	120	4120	550	182	130	3860	570	206	140	3600	600	232	149	
50	46.8	4620	550	167	124	4460	580	192	134	4150	610	216	144	3900	640	243	153	
55	52.1	4980	600	177	128	4800	620	202	138	4450	660	227	148	4190	690	254	157	

Performance @ 60 Hz, Return gas 65°F, SubCooling 5°F

PRELIMINARY

Parts/Specifications

Unit BOM	32F362-39S	Condenser	506-G434
Unit MODEL	AE4440A-AA1ASK	Fan Guard	116-002P
Refrigerant	R12 compatible	Condenser, Fan Guard Kit	K135-02
Refrigeration RANGE	20°F to 55°F	Power Cord	85106-10
Design Pressure Low	150	Fan Motor	810L009B96
Design Pressure High	300	Fan Blade	4VEA010
Volts - HZ - Ph	115V ~ 60HZ	Replacement Fan Motor	9W115
Voltage Range	103.5 - 126.5	Fan Motor, Blade, Guard assy	GFBG-109
Min. Circuit Ampacity	7.86	Fan Motor RLA	0.58
Max. Fuse Size	15		
Compressor MODEL	AE4440A-AA1A	Unit BOM	32F362-49S
Compressor BOM	AE-1250-E	Unit MODEL	AE4440A-AA1ASB
Compressor LRA	32	Liquid Receiver	51085-1
Compressor RLA	5.82	Unit BOM	32F362-59S
OverLoad	830-10024	Unit MODEL	AE4440A-AA1ASC
Replacement Kit - O/L	K90-56	Liquid Receiver	51085-1
Relay	820-10031	Liquid Valve	56605
Replacement Kit - Relay	K71-36	Suction Valve	56604
Run Capacitor		Unit BOM	32F362-69S
Run Capacitor Rating		Unit MODEL	AE4440A-AA1ASS
Start Capacitor	85PS165E16	Liquid Valve	56605
Start Capacitor Rating	324-389 MFD 165V	Suction Valve	56604
Unit drawing DGU	DGU1896-G103		
Electrical Diagram	DEAE-10		

