

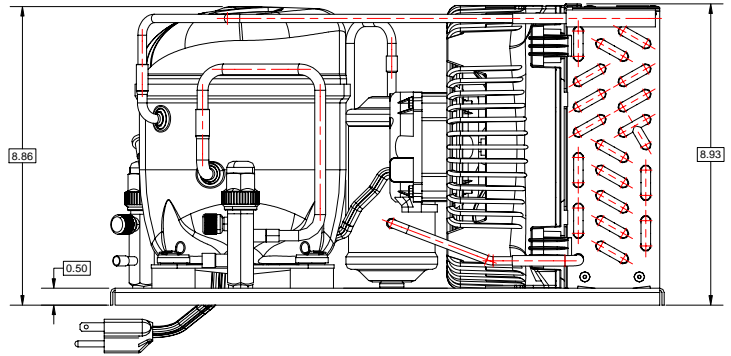
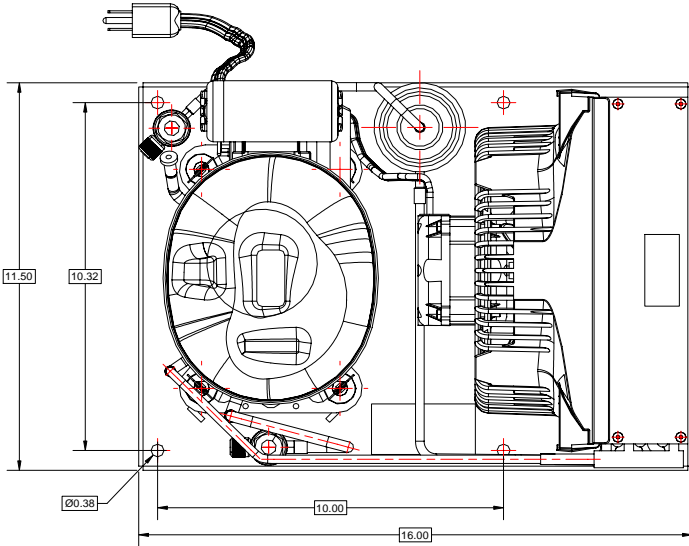
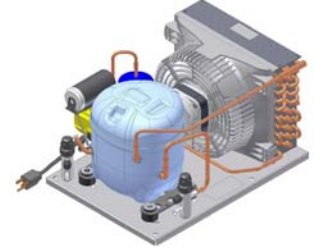


CELSEON[®] LOW PROFILE CONDENSING UNIT



Model AE4430A-AA1ASK, -SB, -SC, -SS
BOM 32F472-39S, -49S, -59S, -69S

Air Cooled 1/4 HP
Application High Temp
Refrigerant R12 compatible
Volts-Hz-Ph 115-60-1



Model	Dimensions, inches (mm)			Line Connections		Pumpdown	AirFlow	Oil Ch.	Gross weight
	L	W	H	Suction	Liquid	90% @90oF	CFM	Oz.	Lbs. (kg)
AE4430A-AA1ASK	16.0 (406)	11.5 (292)	8.9 (226)	5/16" Sweat	1/4" Sweat	n/a	190	12.85	38.1 (17.3)
AE4430A-AA1ASB					1/4" Sweat	2.58			38.7 (17.3)
AE4430A-AA1ASC				3/8" Valve Sweat	1/4" Valve Sweat	n/a			39.5 (17.9)
AE4430A-AA1ASS				3/8" Valve Sweat	1/4" Valve Sweat	n/a			38.9 (17.6)

Factory charge 20 PSIG dry air, MUST BE EVACUATED

Evaporator		Ambient Temperatures															
		80°F				90°F				100°F				110°F			
T, °F	PSIG	BTUH	Watts	Head	Cond T	BTUH	Watts	Head	Cond T	BTUH	Watts	Head	Cond T	BTUH	Watts	Head	Cond T
10	14.8	1690	270	106	94	1620	280	123	103	1550	280	144	114	1520	290	164	123
15	17.9	1900	280	110	96	1830	290	127	106	1750	300	148	116	1730	310	169	125
20	21.2	2150	300	114	98	2070	310	132	108	1970	320	154	118	1960	330	174	127
25	24.8	2390	320	118	101	2320	330	137	110	2210	340	159	121	2190	350	180	130
30	28.6	2660	330	124	104	2590	350	143	113	2470	360	165	123	2450	370	187	133
35	32.7	2950	350	129	107	2870	370	149	116	2740	380	172	126	2720	390	194	135
40	37.1	3250	370	136	110	3160	390	156	119	3020	400	179	129	3000	420	203	139
45	41.8	3570	390	143	113	3480	410	163	123	3340	430	187	132	3290	450	211	142
50	46.8	3910	410	150	117	3820	440	171	126	3650	450	195	136	3600	470	221	145
55	52.1	4250	440	159	120	4170	460	180	130	4000	480	204	139	3930	500	231	149

Performance @ 60 Hz, Return gas 65°F, SubCooling 5°F

PRELIMINARY

Parts/Specifications

Unit BOM	32F472-39S	Condenser	506-G434
Unit MODEL	AE4430A-AA1ASK	Fan Guard	116-002P
Refrigerant	R12 compatible	Condenser, Fan Guard Kit	K135-02
Refrigeration RANGE	20°F to 55°F	Power Cord	85106-10
Design Pressure Low	150	Fan Motor	810L009B96
Design Pressure High	300	Fan Blade	4VEA010
Volts - HZ - Ph	115V ~ 60HZ	Replacement Fan Motor	9W115
Voltage Range	103.5 - 126.5	Fan Motor, Blade, Guard assy	GFBG-109
Min. Circuit Ampacity	6.72	Fan Motor RLA	0.58
Max. Fuse Size	15		
Compressor MODEL	AE4430A-AA1A	Unit BOM	32F472-49S
Compressor BOM	AE-1251-E	Unit MODEL	AE4430A-AA1ASB
Compressor LRA	27.5	Liquid Receiver	51085-1
Compressor RLA	4.91		
		Unit BOM	32F472-59S
OverLoad	830-10043	Unit MODEL	AE4430A-AA1ASC
Replacement Kit - O/L	K90-55	Liquid Receiver	51085-1
Relay	820-10030	Liquid Valve	56605
Replacement Kit - Relay	K71-35	Suction Valve	56604
Run Capacitor			
Run Capacitor Rating		Unit BOM	32F472-69S
Start Capacitor	85PS110C76	Unit MODEL	AE4430A-AA1ASS
Start Capacitor Rating	243-292 MFD 110V	Liquid Valve	56605
		Suction Valve	56604
Unit drawing DGU	DGU1896-G103		
Electrical Diagram	DEAE-10		

