



Indoor Condensing Unit Technical Data Sheet



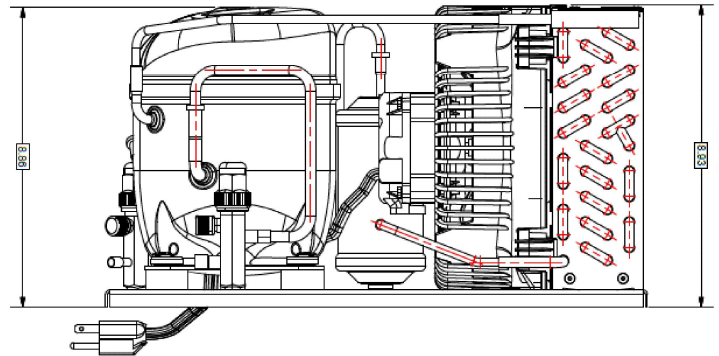
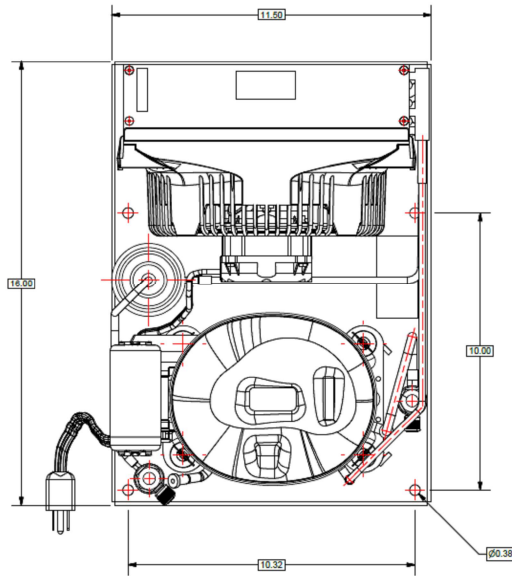
Tecumseh

Model: AE2415Z-AA1AS*

BoM: 32F328-*(9S)

R-404A / R-448A / R-449A

1/3 HP



Model	Dimensions, inches				Line Connection*		Pumpdown 90 °F 90%	Air CFM	Oil Ch Oz.	Gr. Wt. Lbs.
	L	W	H	CH	Suction	Liquid				
AE2415Z-AA1ASK	16.0	11.5	8.93	8.86	5/16" S	1/4" S	n/a	190	9.5	38.1
AE2415Z-AA1ASB							1.83 lbs.			38.7
AE2415Z-AA1ASC					3/8" S	1/4" S	1.83 lbs.			39.5
AE2415Z-AA1ASS							n/a			38.9

* F = Flare, S = Solder, RF or RS = Rotolock with Flare or Solder Connections, C = Compression Fitting
Factory charge: 20 PSIG Nitrogen – **MUST BE EVACUATED**

Evaporator		R-404A Performance											
		80°F			90°F			100°F			110°F		
°F	PSIG	BTU/H	Watts	Cond T	BTU/H	Watts	Cond T	BTU/H	Watts	Cond T	BTU/H	Watts	Cond T
-40	4.5	630	270	87	550	260	97	480	260	106	410	250	116
-35	7.0	740	280	89	650	280	98	570	280	107	490	280	117
-30	9.8	880	300	90	770	300	100	680	300	109	590	300	118
-25	12.9	1020	320	92	910	320	101	800	320	111	700	320	120
-20	16.2	1190	340	94	1060	350	103	930	350	112	810	350	121
-15	19.9	1360	370	97	1220	370	105	1080	370	114	940	380	123
-10	23.8	1540	390	99	1380	390	108	1230	400	117	1080	400	125
-5	28.1	1730	410	101	1550	420	110	1380	430	119	1220	430	128
0	32.8	1930	440	104	1730	450	113	1540	460	121	1360	460	130
5	37.9	2120	470	107	1910	480	115	1710	490	124	1500	490	132
10	43.3	2330	490	109	2090	510	118	1870	520	126	1650	530	134

Performance @ 60Hz, Return Gas 40°F, Sub cooling 5°F

Evaporator		R-448A / R-449A Performance											
		Ambient Temperatures											
		80°F			90°F			100°F			110°F		
°F	PSIG	BTU/H	Watts	Cond T	BTU/H	Watts	Cond T	BTU/H	Watts	Cond T	BTU/H	Watts	Cond T
-40	0.0	659	242	93	591	239	102	523	237	111	455	234	120
-35	2.1	772	257	93	693	256	102	615	255	111	537	253	120
-30	4.4	894	274	94	805	274	103	716	274	112	627	274	120
-25	7.0	1024	292	95	924	293	103	825	294	112	725	295	121
-20	9.9	1162	311	96	1052	313	105	942	315	113	833	318	122
-15	13.0	1309	331	98	1189	335	106	1068	338	114	948	342	123
-10	16.4	1465	353	100	1334	357	108	1203	362	116	1072	367	124
-5	20.2	1629	375	102	1487	381	110	1346	387	117	1205	393	125
0	24.3	1801	399	104	1649	406	112	1497	414	120	1345	421	127
5	28.7	1982	425	107	1819	433	114	1657	441	122	1495	450	129
10	33.5	2171	451	110	1998	461	117	1825	470	125	1652	480	132

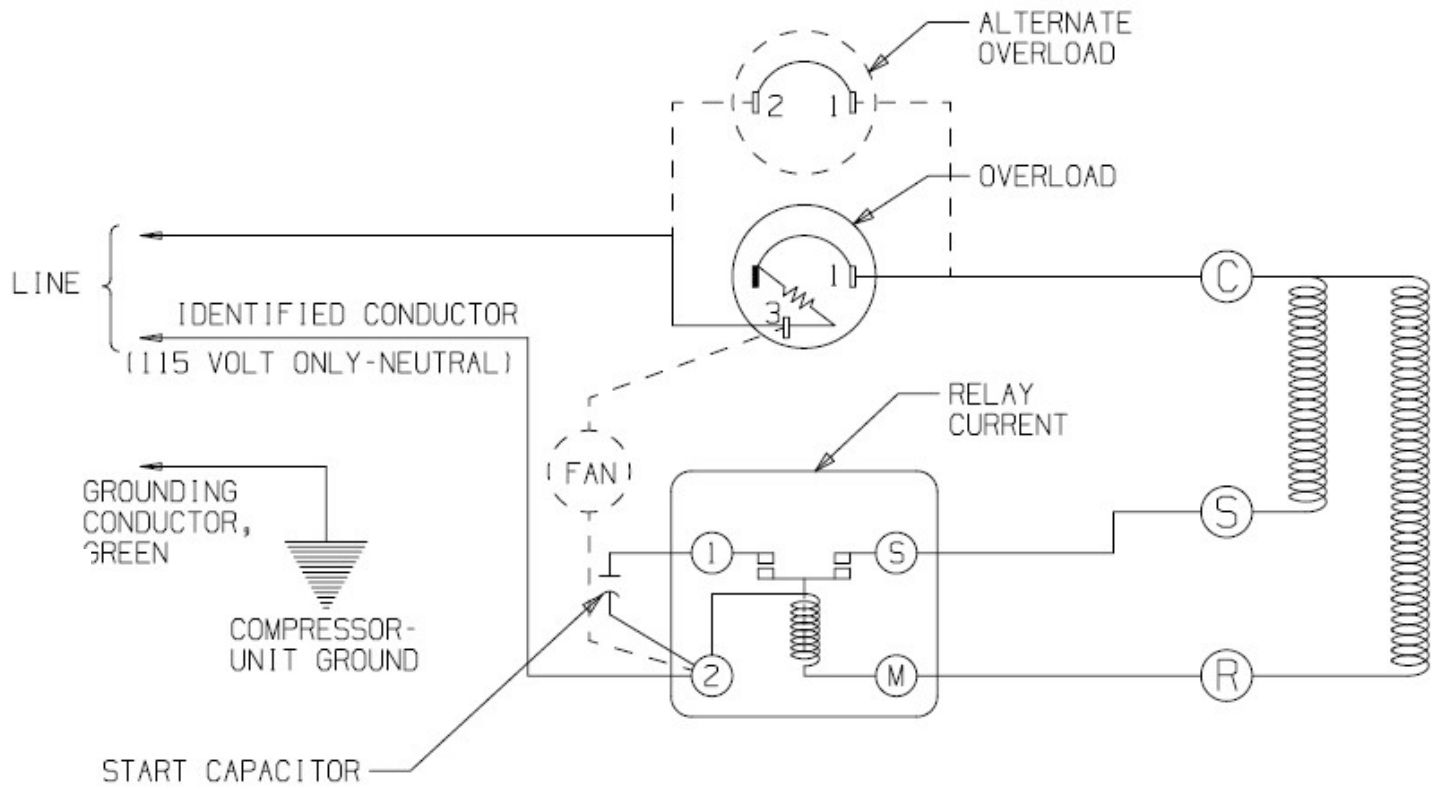
Performance @ 60Hz, Return Gas 40°F, Sub cooling 5°F

Specifications/ Parts:

Unit Model	AE2415Z-AA1ASK
Unit Bill of Material	32F328-39S
Refrigeration Range	-40° F to 10° F
Design Pressure Low	181
Design Pressure High	450
Nominal Volts-Hz-Ph	115/60/1
Voltage Range	103 to 127
Min. Circuit Ampacity	6.82
Max. Fuse Size (amps)	15
Compressor Model	AE2415Z-AA1A
Comp. Bill of Material	AE1157E-679-J7
Compressor RLA/LRA	4.99/32.0
Overload	T90731-24-ZP
Relay	820-10087
Run Capacitor	N/A
Start Capacitor	85PS165C99
Power Cord	85106-10
Fan Motor	810L009B96
Fan Motor RLA	.58
Fan Blade	51578
Fan Shroud/Guard Combo	116-002P
Condenser	506-G434
Unit Drawing	DGU1896-G103K
Wiring Diagram	DEAE-10

Unit Model	AE2415Z-AA1ASB
Unit Bill of Material	32F328-49S
Receiver Tank	51085-1
Power Cord	85106-19
Unit Drawing	DGU1896-G103-CV
Unit Model	AE2415Z-AA1ASC
Unit Bill of Material	32F328-59S
Receiver Tank	51085-1
Power Cord	85106-10
Unit Drawing	DGU1896-G103J-CV
Liquid Valve	56605
Suction Valve	56604
Unit Model	AE2415Z-AA1ASS
Unit Bill of Material	32F328-69S
Power Cord	85106-10
Unit Drawing	DGU1896-G103K
Liquid Valve	56605
Suction Valve	56604
Replacement Kit: Relay	K71-39
Replacement Kit: O/L	K90-59
Replacement Kit: St. Cap	K146-28
Replacement Kit: Run Cap	N/A

Electrical Diagram



115 OR 230 V SCHEMATIC WIRING DIAGRAM