

3-in-1™ Replacement Motor - 9721

Bohn, Chandler, Climate Control and Larkin

Replaces 1/12, 1/15, 1/20 HP PSC
and Low Efficient Shaded Pole Designs

Use of a permanent split capacitor design allows the motor to deliver more power with a lower amp draw. Cooler operation results in fewer failures. Ball bearings provide smooth, quiet operation and extended motor life.

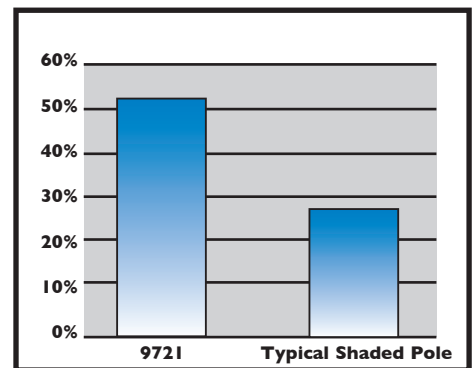
FEATURES

- Easy-to-Read Connection Diagram attached to white lead wire
- Four studs on each end
- 40°C Ambient
- Class B Insulation
- UL and CSA Recognized
- Extra mounting nuts for quick installation
- Low temp (-40°F) lubrication system
- Reversing plug for easy rotation change

(See reverse side for outline drawing)

ENERGY SAVINGS PSC DESIGN

50% More Efficient
than Shaded Pole Motors

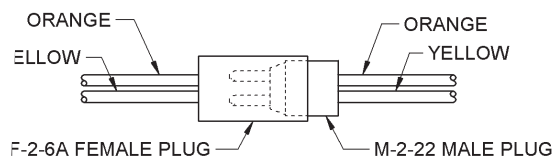
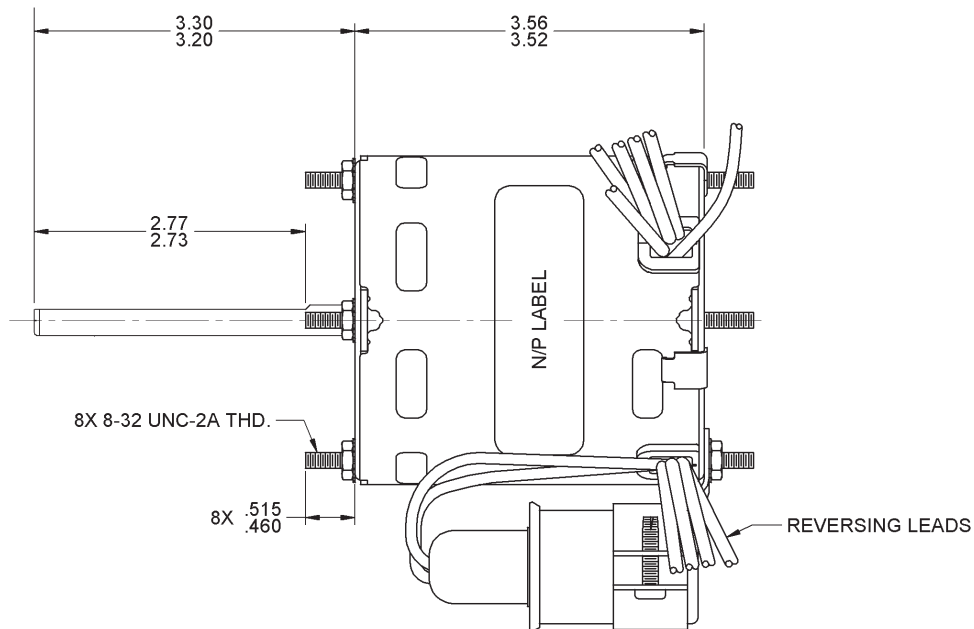
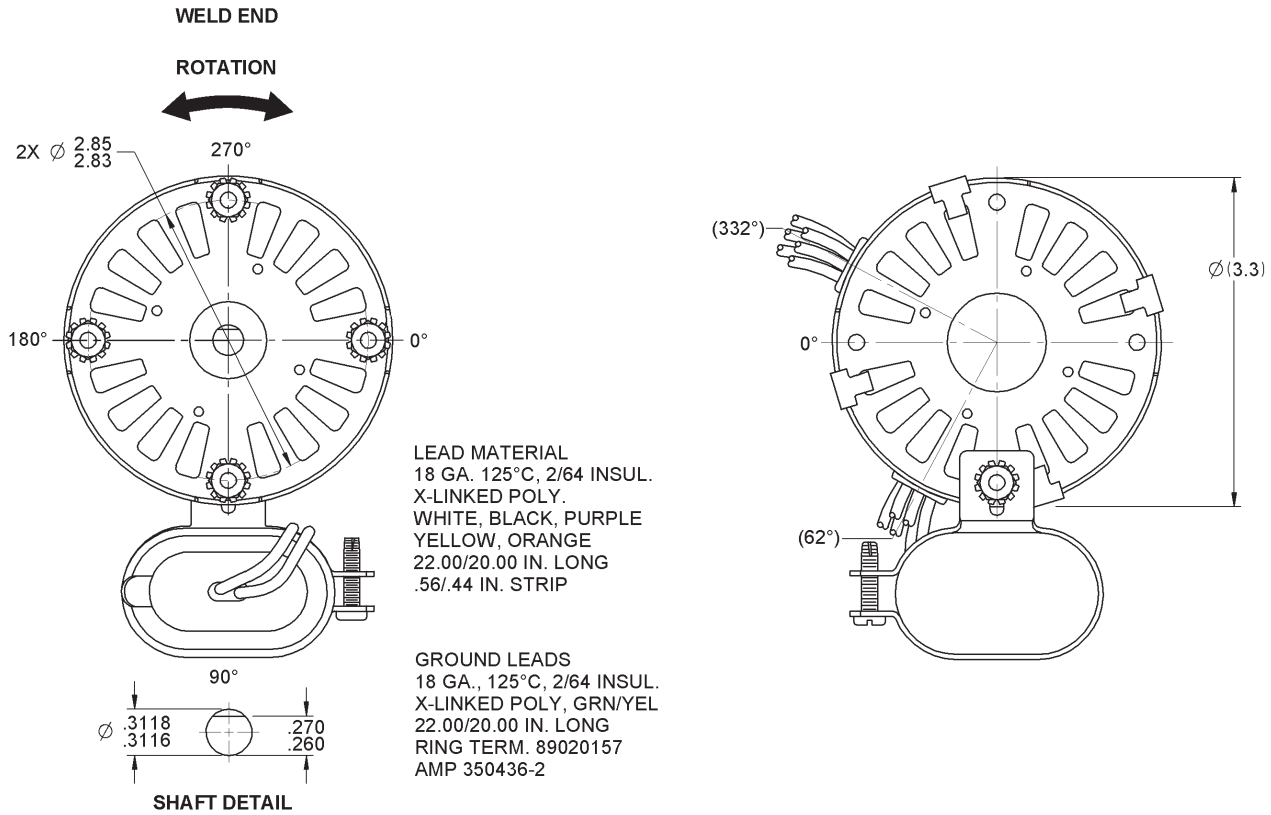


\$ Less efficient shaded pole motors are often used in original equipment to reduce cost. While they do allow for small savings at time of purchase, durable savings quickly dissolve in electric bills due to today's high power costs.

Model	HP	Volts	Amps	RPM	Speeds	Frame	SF	HZ	Rotation	Wt.
9721 •\$	1/12	115/208-230	1.1/0.5	1550	1	3.3"	1.0	60/50	REV	4.0

• Ball Bearing \$ Energy Efficient

3-in-1™ Replacement Motor - 9721



Regal Beloit America, Inc.
1325 Heil Quaker Blvd.
LaVergne, TN 37086
Tel: (800) 325-8313
email: sales@fasco.com

fasco.com

©2014 Regal-Beloit Corporation F1700 5/2014

A Regal Brand

REGAL

www.regalbeloit.com