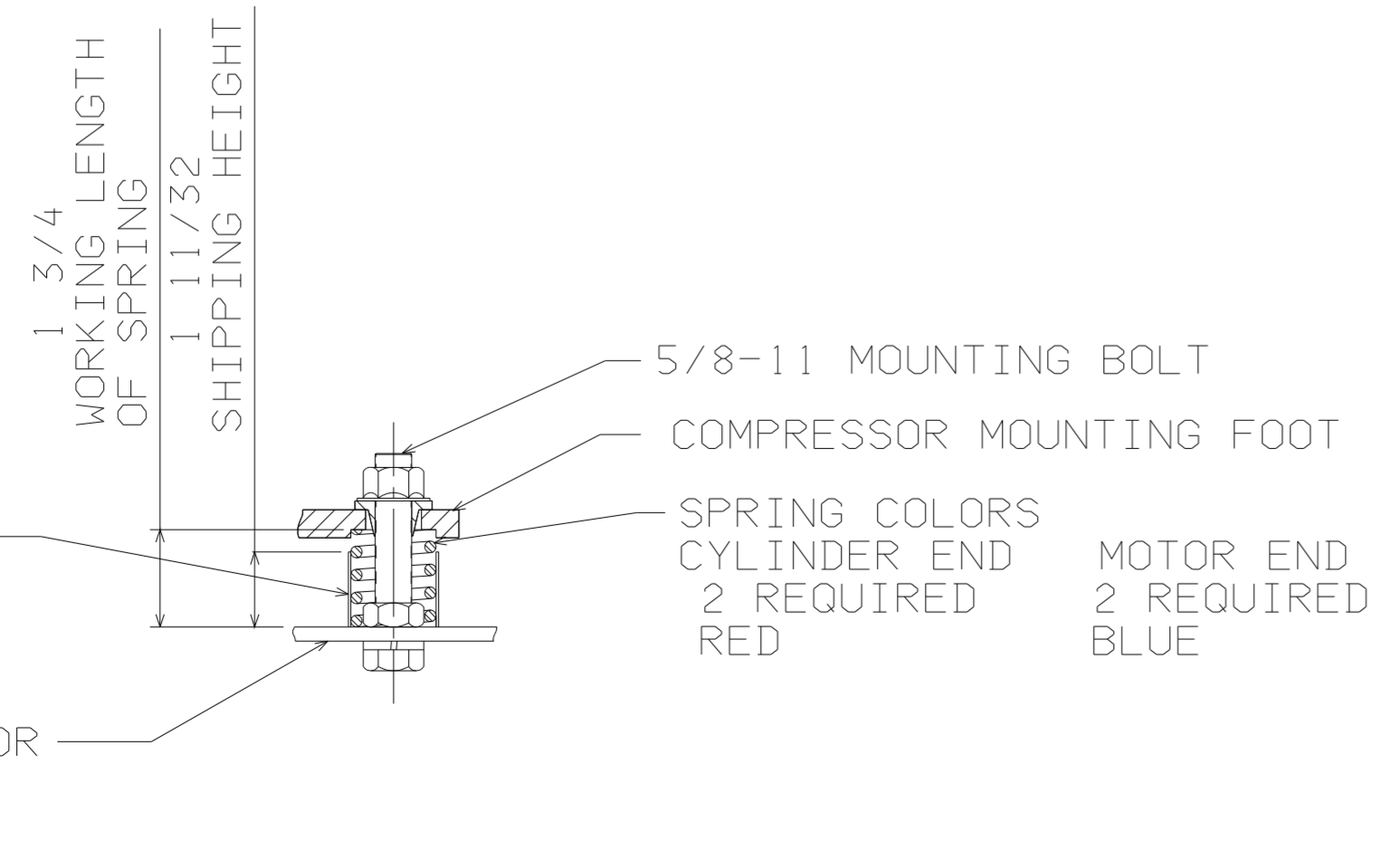
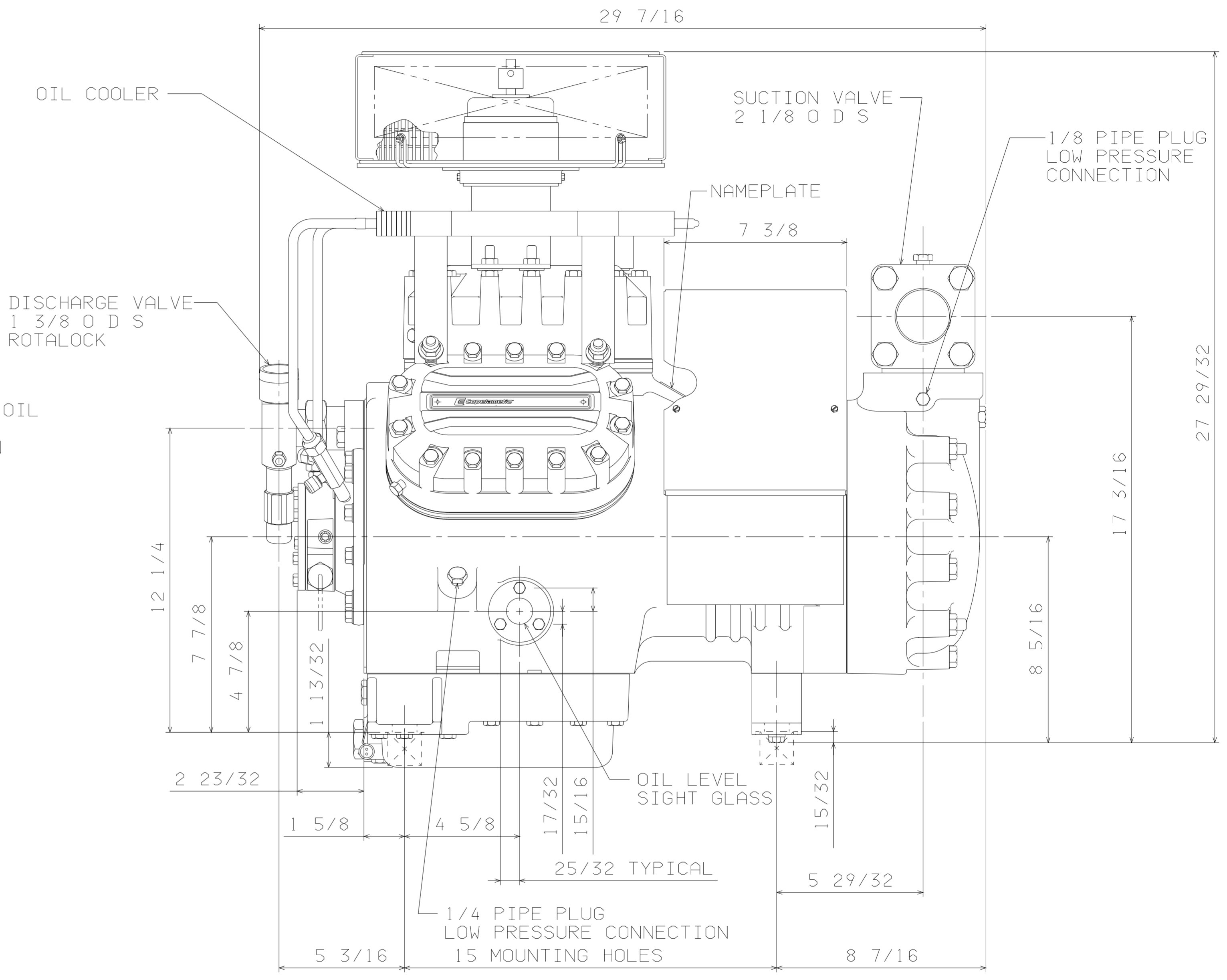
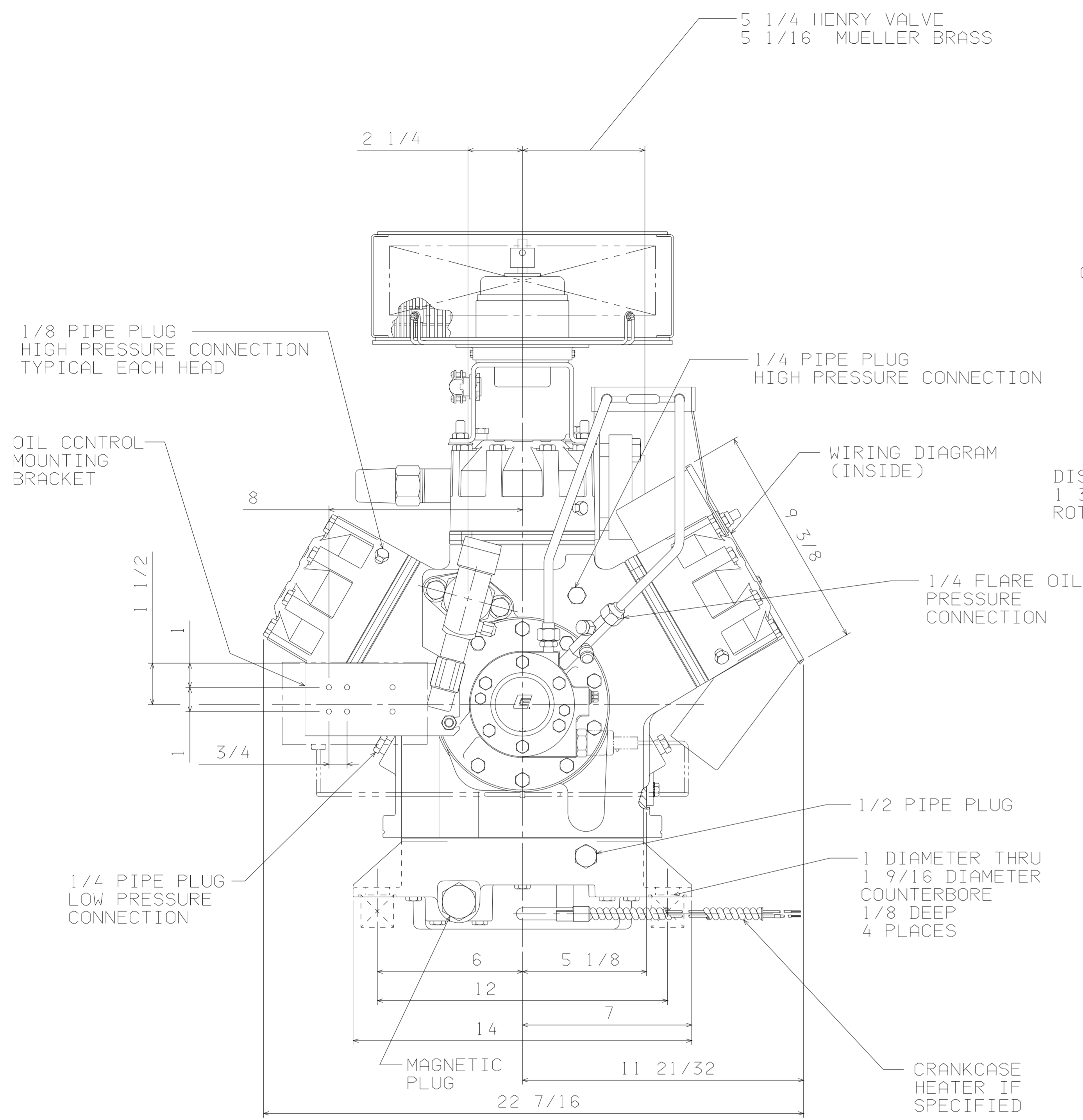


MODEL	MODEL
6DT3F11M	6DT3A300

SPECIFICATIONS	
ES NO.	DESCRIPTION
ES81-159	CLEANLINESS
ES81-250	IDENTIFICATION
ES92-155	CONVERSION-METRIC
ES92-167	HAZARDOUS SUBSTANCES

NOTES:
 1 ALL TOLERANCES ARE ± 3/32 EXCEPT INDUSTRY STANDARDS APPLY TO FITTINGS AND VALVES.



ENG NOTICE NO.	REV NO.	REVISIONS	DATE	BY	CHKD	APPR
31-0805-123	2	REDRAWN, CHART UPDATED	09-27-05	AP	DE	
31-1287-043		RELEASE	10-05-89	CS		



INTERPRET PER ASME Y14.5M-1994 AND COPELAND DESIGN STANDARDS DS2002.
 DO NOT SCALE DRAWING

THIRD ANGLE PROJECTION

UNLESS OTHERWISE SPECIFIED DIMENSIONS ARE INCH (MILLIMETER).
 TOLERANCES:
 2 PLACE ±
 5 PLACE ±
 ANGULAR ±

7 THIS DRAWING AND THE INFORMATION CONTAINED HEREIN ARE THE EXCLUSIVE PROPERTY OF COPELAND. IT SHALL BE RETURNED TO COPELAND UPON DEMAND AND SHALL NOT BE REPRODUCED IN WHOLE OR IN PART, DISCLOSED TO ANYONE ELSE OR USED WITHOUT THE WRITTEN CONSENT OF COPELAND.

MATERIAL SPECIFICATION N/A

DATE 09-27-05

SCALE 1:2

DATE FORMAT: MM-DD-YY

TITLE REF DWG-COPE COMP ASSM

DRAWING NUMBER 497-0210-00

SHEET 1 OF 1

DWG SIZE 5

UNCONTROLLED - DO NOT MODIFY