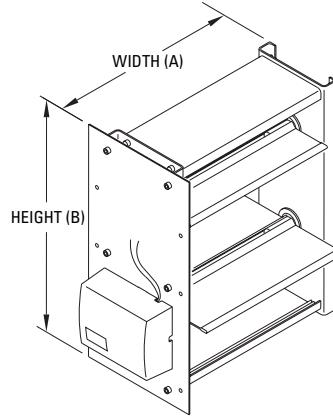
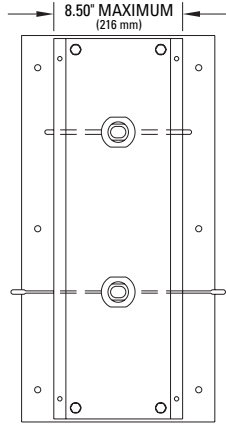


Project: _____
 Architect: _____
 Contractor: _____
 Supplier: _____

Dealer: _____
 Engineer: _____
 Location: _____
 Date: _____



SIZES (Inches):

| Rectangular Dampers Stock No. & Weight | | Nominal Width (A) | | | | | | | | | | | |
|---|---------------------|-------------------|-------------|-------------|-------------|--------------|--------------|--------------|--------------|--------------|--------------|--------------|--------------|
| | | 8" (200mm) | 10" (250mm) | 12" (300mm) | 14" (350mm) | 16" (400mm) | 18" (450mm) | 20" (500mm) | 22" (550mm) | 24" (600mm) | 26" (650mm) | 28" (700mm) | 30" (750mm) |
| Side Mount | 8" (200mm) | 6721 - 5 lb | 6722 - 5 lb | 6723 - 5 lb | 6724 - 6 lb | 6725 - 6 lb | 6726 - 6 lb | 6727 - 6 lb | 6728 - 6 lb | 6729 - 6 lb | 6730 - 6 lb | 6731 - 6 lb | 6753 - 6 lb |
| | 10" (250 mm) | — | 6732 - 6 lb | 6733 - 6 lb | 6734 - 7 lb | 6735 - 7 lb | 6736 - 9 lb | 6737 - 9 lb | 6738 - 9 lb | 6739 - 9 lb | 6740 - 9 lb | 6741 - 9 lb | 6742 - 9 lb |
| | 12" (300 mm) | — | — | 6743 - 7 lb | 6744 - 8 lb | 6745 - 8 lb | 6746 - 9 lb | 6747 - 10 lb | 6748 - 10 lb | 6749 - 11 lb | 6750 - 25 lb | 6751 - 26 lb | 6752 - 27 lb |
| | 14" (350 mm) | — | — | — | 6754 - 8 lb | 6755 - 9 lb | 6756 - 11 lb | 6757 - 11 lb | 6758 - 12 lb | 6759 - 12 lb | 6760 - 28 lb | 6761 - 29 lb | 6762 - 31 lb |
| | 16" (400 mm) | — | — | — | — | 6763 - 22 lb | 6764 - 24 lb | 6765 - 26 lb | 6766 - 27 lb | 6767 - 29 lb | 6768 - 31 lb | 6769 - 33 lb | 6770 - 34 lb |
| | 18" (450 mm) | — | — | — | — | — | 6771 - 26 lb | 6772 - 28 lb | 6773 - 30 lb | 6774 - 32 lb | 6775 - 34 lb | 6776 - 36 lb | 6777 - 38 lb |
| | 20" (500 mm) | — | — | — | — | — | — | 6778 - 31 lb | 6779 - 33 lb | 6780 - 35 lb | 6781 - 37 lb | 6782 - 40 lb | 6783 - 42 lb |
| | 22" (550 mm) | — | — | — | — | — | — | — | 6784 - 36 lb | 6785 - 38 lb | 6786 - 41 lb | 6787 - 43 lb | 6788 - 45 lb |
| | 24" (600 mm) | — | — | — | — | — | — | — | — | 6789 - 41 lb | 6790 - 44 lb | 6791 - 46 lb | 6792 - 49 lb |
| | 26" (650 mm) | — | — | — | — | — | — | — | — | — | 6793 - 47 lb | 6794 - 50 lb | 6795 - 53 lb |
| | 28" (700 mm) | — | — | — | — | — | — | — | — | — | — | 6796 - 53 lb | 6797 - 56 lb |
| | 30" (750 mm) | — | — | — | — | — | — | — | — | — | — | — | 6798 - 60 lb |
| Bottom Mount | 8" (200 mm) | 6721 - 5 lb | 6812 - 6 lb | 6813 - 6 lb | 6814 - 7 lb | 6815 - 8 lb | 6816 - 9 lb | 6817 - 9 lb | 6818 - 9 lb | 6819 - 10 lb | — | — | — |
| | 10" (250 mm) | — | 6732 - 6 lb | 6823 - 7 lb | 6824 - 7 lb | 6825 - 8 lb | 6826 - 9 lb | 6827 - 10 lb | 6828 - 10 lb | 6829 - 10 lb | — | — | — |
| | 12" (300 mm) | — | — | 6743 - 7 lb | 6834 - 7 lb | 6835 - 9 lb | 6836 - 10 lb | 6837 - 10 lb | 6838 - 10 lb | 6839 - 10 lb | — | — | — |

NOTES:

Applications: Compatible with Aprilaire® Zoned Comfort Control system. Dampers are designed to work in low pressure systems (less than 1.0" w.c.)

Electrical Ratings: Two wire; power closed/spring open; 24 VAC 6W, 60Hz synchronous type motor, 12VA, impedance protected for continuous stall capability without electrical or mechanical damage. Damper comes with motor mounted.

Actual height is undercut 3/16"; Actual width is undercut 1/8". Actual height & width is undercut 1/4".

The submittal is intended to show general, overall product dimensions and provide guidance for installation clearance. Drawings are not to scale. Ensure submittals are current. Research Products reserves the right to make product changes without notification or obligation.