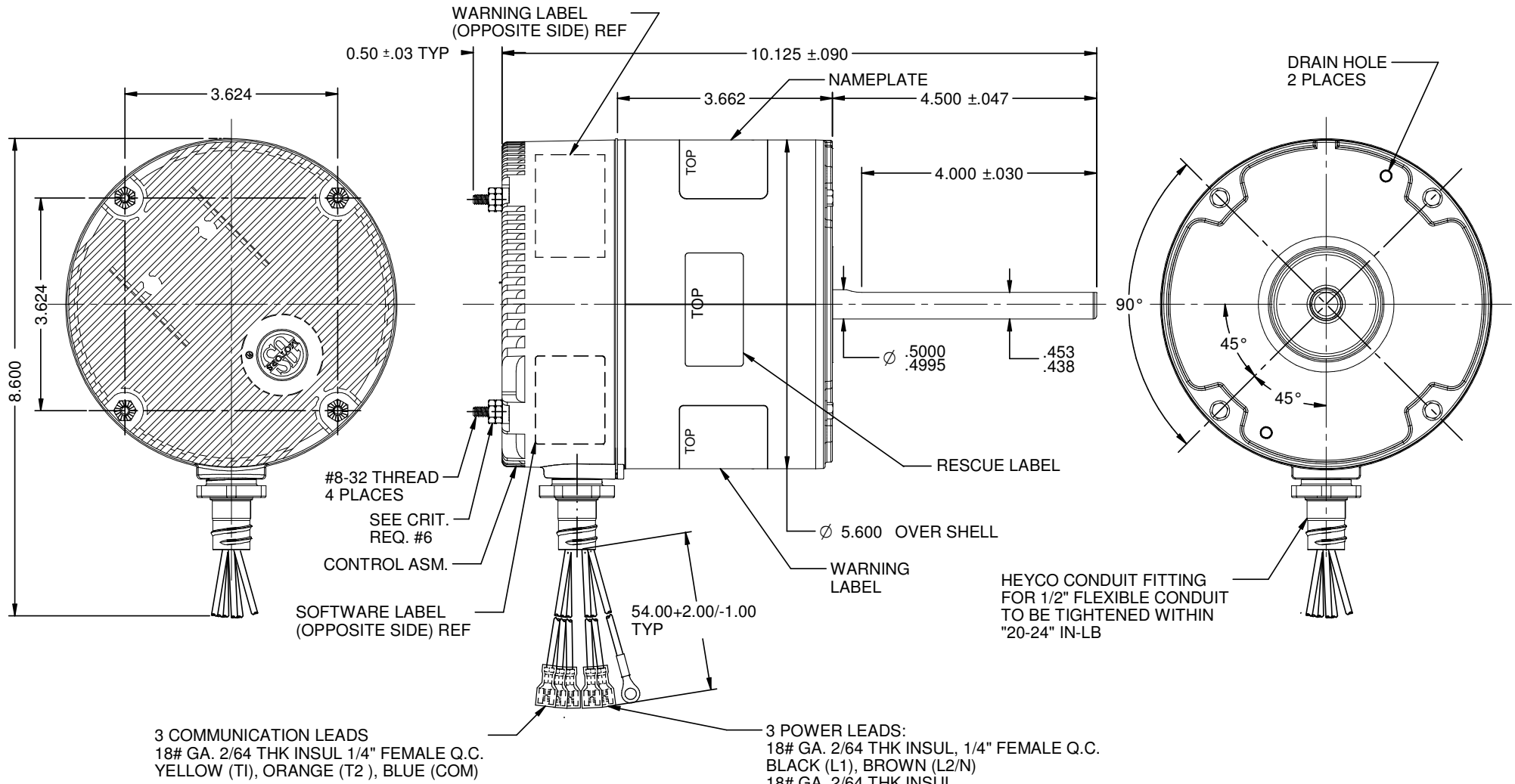


VAR	MODEL	CUSTOMER	RPM	ROTATION	HP	VOLTS	AMPS	HZ	TAP 1 RPM	TAP 2 ROTATION	CAT. PART NO.	SOFTWARE VER
001	M055PWLKZ-2338	WHOLESALE HAC	1200/VAR	CCWLE REV	1/3	208-230	2.5	60&50	0V, 1075 24V, 825	0V, CCWLE 24V, CWLE	5561EO	275



3 COMMUNICATION LEADS  
 18# GA. 2/64 THK INSUL 1/4" FEMALE Q.C.  
 YELLOW (T1), ORANGE (T2), BLUE (COM)

3 POWER LEADS:  
 18# GA. 2/64 THK INSUL, 1/4" FEMALE Q.C.  
 BLACK (L1), BROWN (L2/N)  
 18# GA. 2/64 THK INSUL,  
 #10 EYELET GREEN/ YELLOW(GND)

HEYCO CONDUIT FITTING  
 FOR 1/2" FLEXIBLE CONDUIT  
 TO BE TIGHTENED WITHIN  
 "20-24" IN-LB

NIDEC MOTOR CORPORATION 27-Jun-16 REFER TO S.E.I.M. 24-1

REVISION RECORD FOR: ECO: E26826		TOLERANCES ON DIMENSIONS (UNLESS OTHERWISE SPECIFIED)		<b>NIDEC MOTOR CORPORATION</b>			
DELETED CRIT. REQ # 3.4 & 5		INCHES .XX = ± .010 .XXX = ± .005		INFORMATION DISCLOSED ON THIS DOCUMENT IS CONSIDERED PROPRIETARY AND SHALL NOT BE REPRODUCED OR DISCLOSED WITHOUT WRITTEN CONSENT OF NIDEC MOTOR CORPORATION			
ISSUED BY: C.ALMAGUER		ENGINEER APPROVED: S. NGO		TITLE: CUSTOMER DETAIL DRAWING		CODE: V02	ITEM NO.: 805339
		ANGLES X° = ±1°				REV: D	REVISION DATE: 23-SEP-16
						SHEET NUMBER: 1 OF 2	DWG SIZE: B