

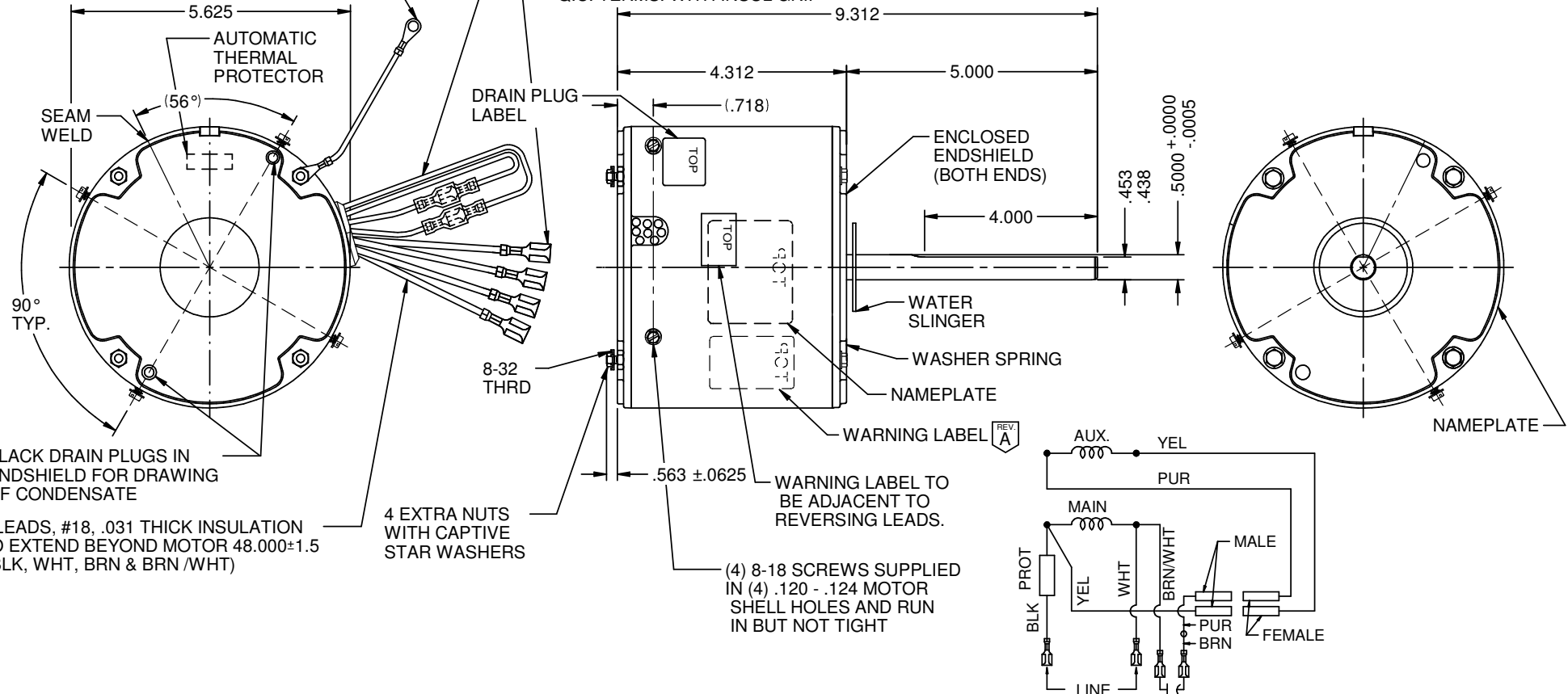
MODEL	REF	CUSTOMER	HP	VOLTS	AMPS	HZ	RPM	ROTATION	CATALOG #	DESCRIPCION / REMARKS
K55HXMLMJ-2478	----	WHOLESALE HAC	1/3-1/6	208-230	2.2	60	1075	CCW LEAD END REV	5430	

#16 GRN/YEL GRN LEAD  
TO BE 10.000±.250  
BETWEEN CENTER OF TERMS,  
TERM. TO FIT #10 SCREW

4 LEADS, #18, .031 THICK INSUL.  
(2) YEL & (2) PUR FOR  
REVERSING ROTATION TO EXTEND  
BEYOND MOTOR 4.000 + 2.000 - 0.000

**NOTE: NO CAPACITOR SUPPLIER CHANGE WITHOUT  
MARKETING APPROVAL\*\***

(1) BRN, (1) BRN/WHT, (1) BLK  
& (1) WHT LEADS TO HAVE  
.250 STRAIGHT TYPE  
Q.C. TERMS. WITH INSUL GRIP



NIDEC MOTOR CORPORATION 25-Jan-19

REFER TO S.E.I.M. 24-1

REVISION RECORD FOR: ECO E33529

ADDED WARNING LABEL

DIMENSIONS ARE FOR  
REFERENCE ONLY

**NIDEC MOTOR CORPORATION**

INFORMATION DISCLOSED ON THIS DOCUMENT IS CONSIDERED PROPRIETARY AND SHALL NOT BE  
REPRODUCED OR DISCLOSED WITHOUT WRITTEN CONSENT OF NIDEC MOTOR CORPORATION

REVISION DATE:  
25-JAN-19

ISSUED BY: A. SAUCEDO

ENGINEER APPROVED: J. RICE

UNLESS TOLERANCE  
IS SPECIFIED

TITLE  
CUSTOMER DETAIL DRAWING

CODE  
V02

ITEM NO.  
811794

REV  
A

SHEET  
NUMBER  
1 OF 3

DWG  
SIZE  
B