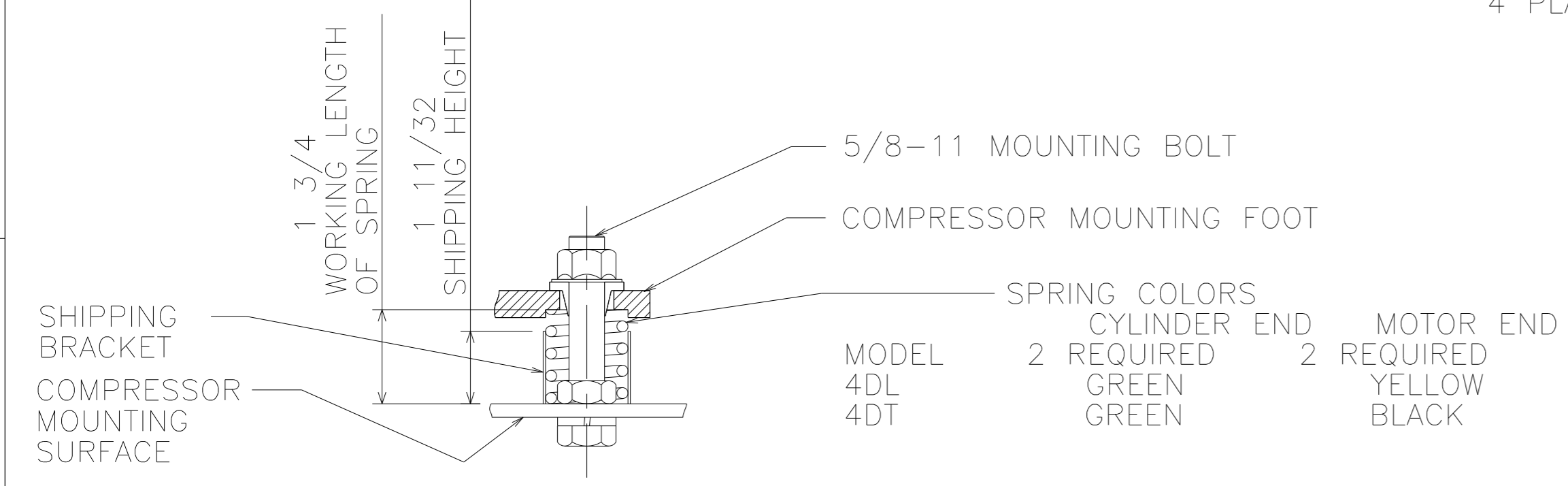
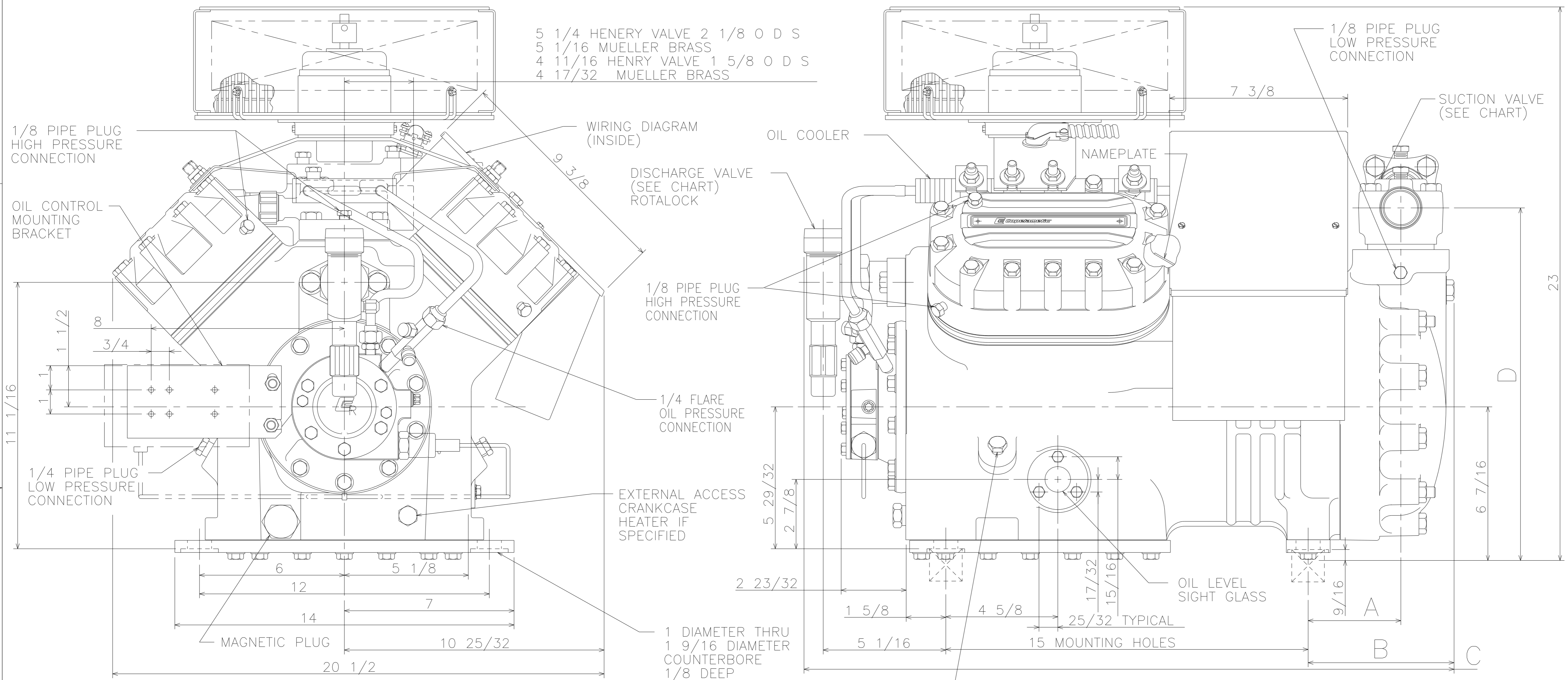


MODEL	A	B	C	D	SUCTION VALVE	DISCH VALVE	OLD MODEL NAME
4DL3F63K	3 27/32	6 1/16	27 1/32	14 21/32	1 5/8 ODS	1 3/8 ODS	4DL3A150
4DT3F76K	4 13/32	6 15/16	27 15/16	15 5/16	2 1/8 ODS	1 3/8 ODS	4DT3A220

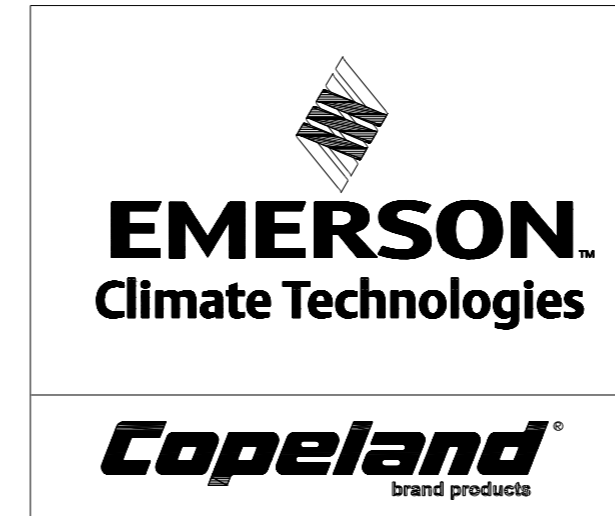
SPECIFICATIONS	
ES NO.	DESCRIPTION
ES22-122	PACKAGING
ES81-159	CLEANLINESS
ES81-250	IDENTIFICATION
ES92-167	REGULATORY COMPLIANCE
ES92-155	CONVERSION-METRIC

NOTES:
 1 ALL TOLERANCES ARE ± 3/32 EXCEPT INDUSTRY STANDARDS APPLY TO FITTINGS AND VALVES.



31-0907-049	11	REDRAWN; CHG FORMAT FOR PROJECT INC	11-26-07	MMB	CHK	RST
31-0187-020	0	RELEASE	10-05-89	CS		
ENG NOTICE NO.	REV.NO.	REVISIONS	DATE	BY	CHKD	APPR

CONFIDENTIALITY NOTICE			
THIS DRAWING AND INFORMATION CONTAINED HEREIN ARE THE EXCLUSIVE PROPERTY OF EMERSON CLIMATE TECHNOLOGIES, INC. AND SHALL BE RETURNED UPON DEMAND AND SHALL NOT BE REPRODUCED IN WHOLE OR IN PART TO ANYONE ELSE OR USED, WITHOUT THE WRITTEN CONSENT OF EMERSON CLIMATE TECHNOLOGIES, INC.			
MATERIAL SPECIFICATION		DRAWN BY	
N/A		MMB	
DATE		SCALE	
11-26-07		1:3	
DATE FORMAT:		DATE FORMAT:	
MM-DD-YY		MM-DD-YY	
TITLE		DRAWING NUMBER SHEET 1 OF 1	
REF DWG-COPE COMP ASSM		497-0199-00	



INTERPRET PER ASME Y14.5M-1994 AND EMERSON CLIMATE TECHNOLOGIES, INC DESIGN STANDARDS DS2002 DO NOT SCALE DRAWING

THIRD ANGLE PROJECTION

UNLESS OTHERWISE SPECIFIED TOLERANCES ARE INCH OR [MILLIMETER]

2-PLACE ±
 3-PLACE ±
 ANGULAR ±

© COPYRIGHT EMERSON CLIMATE TECHNOLOGIES, INC. - CONFIDENTIAL