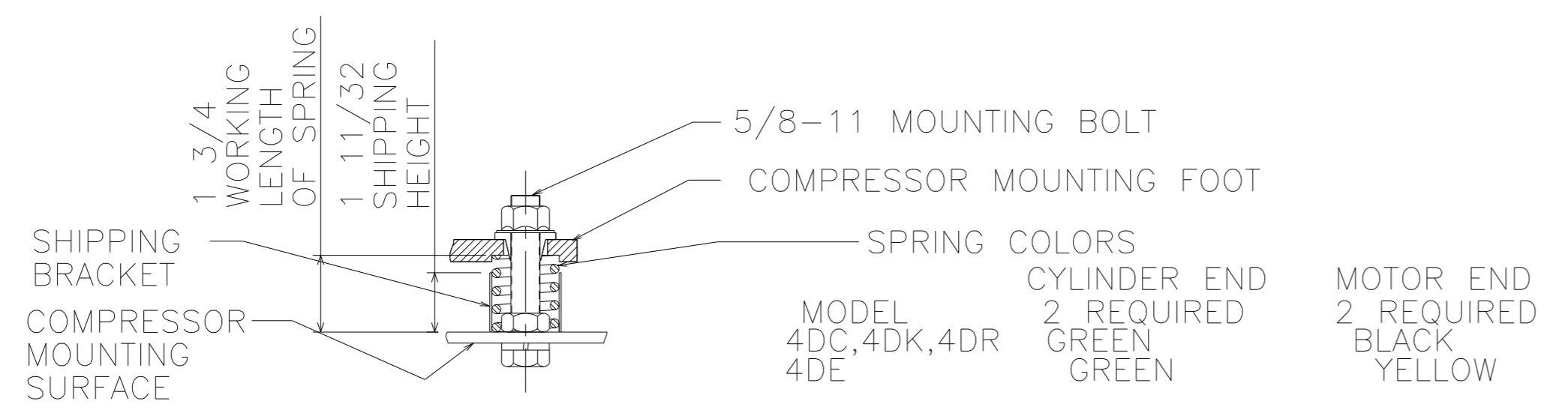
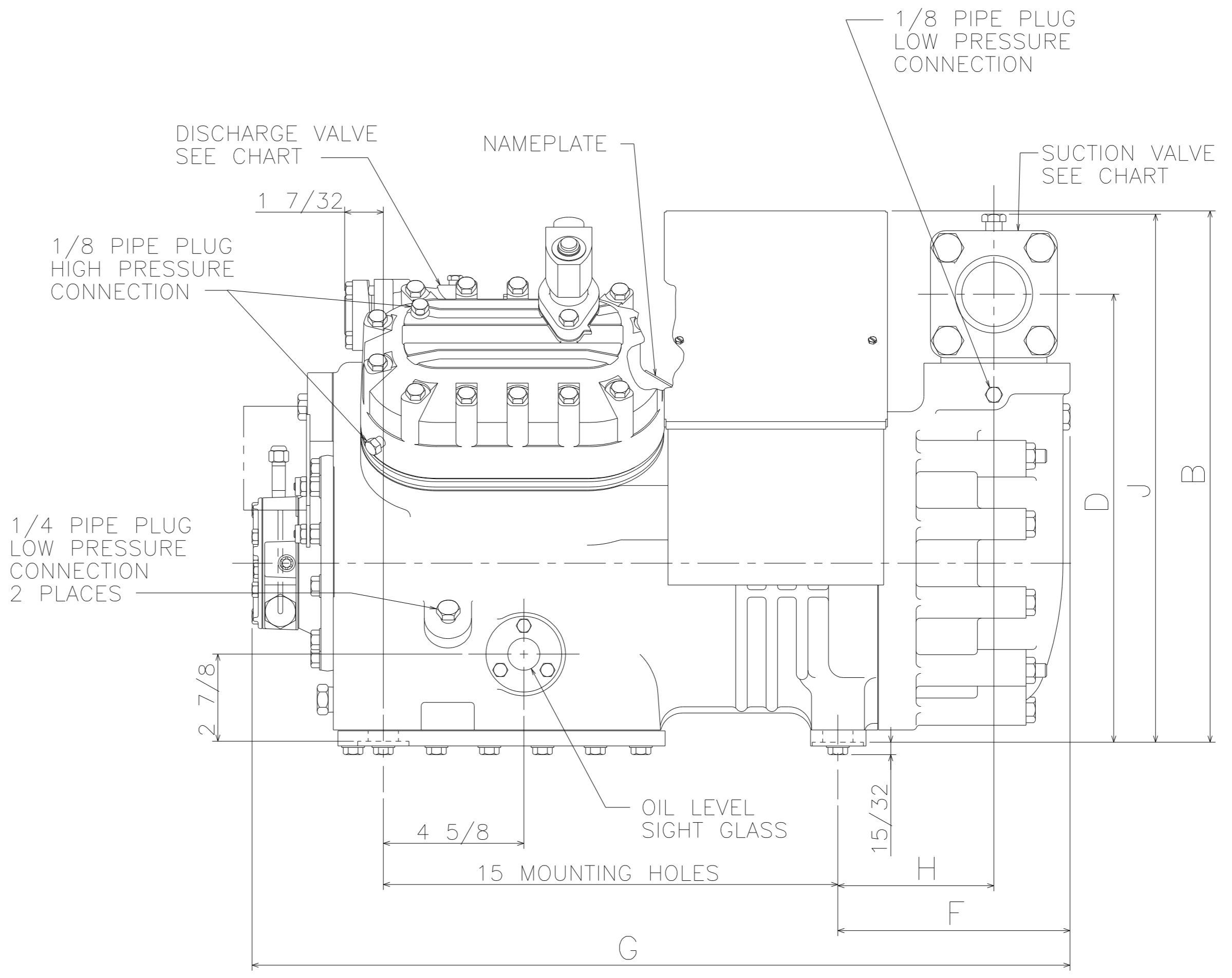
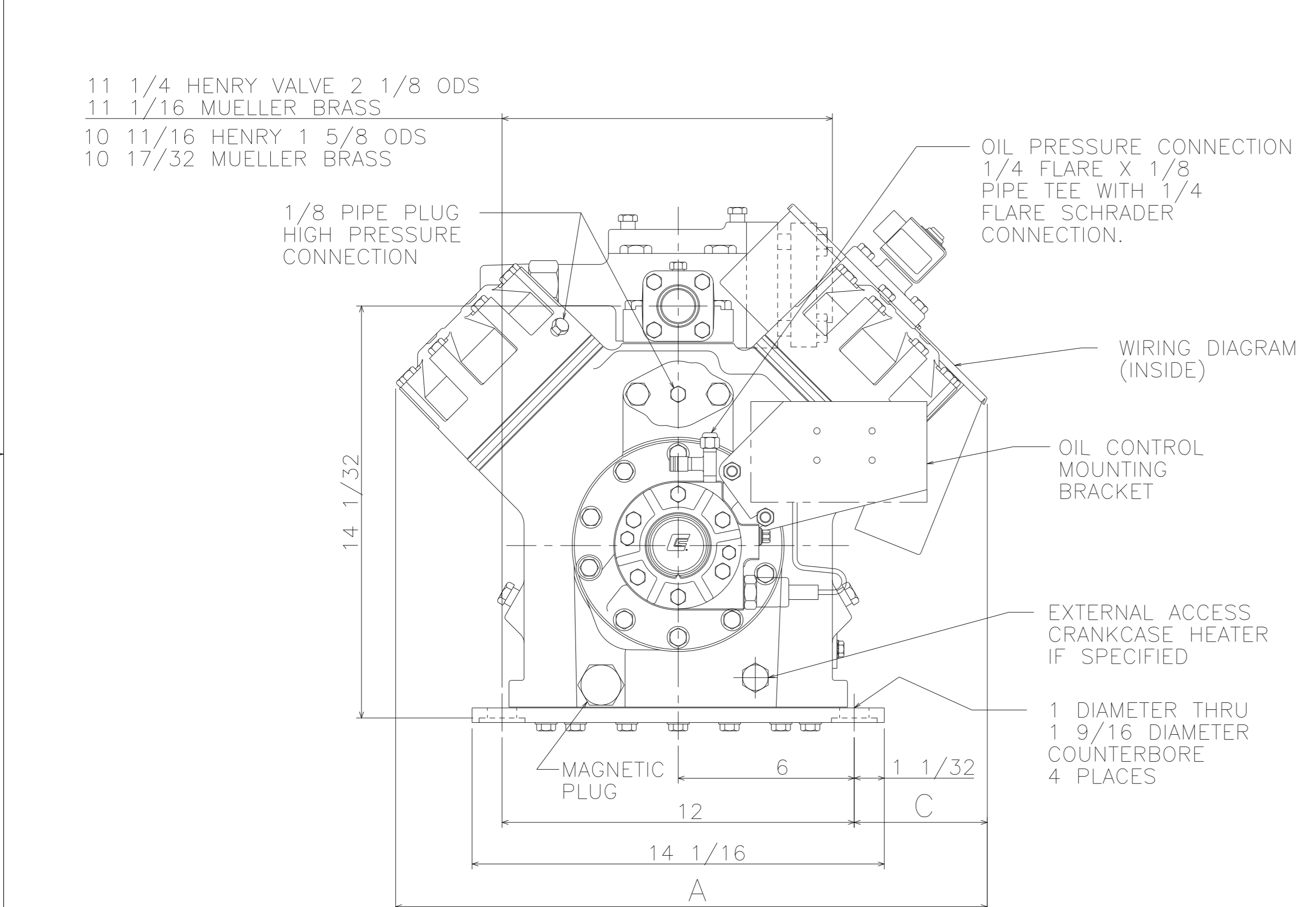


MODEL	A	B	C	D	F	G	H	J	SUCTION VALVE	DISCHARGE VALVE	OLD MODEL NAME
4DC3R20M	20 3/8	17 7/16	4 3/4	14 25/32	6 15/16	26 9/32	4 13/32	17 17/32	2 1/8 ODS	1 3/8 ODS	4DC3A220
4DE3R18M	20 1/16	17 9/32	4 19/32	14 1/8	6 1/16	25 13/32	3 27/32	16 1/16	1 5/8 ODS	1 3/8 ODS	4DE3A200
4DR3R28M	20 3/8	17 7/16	4 3/4	14 25/32	6 15/16	27 1/32	5 5/32	17 17/32	2 1/8 ODS	1 3/8 ODS	4DR3A300
4DK3R22M	20 3/8	17 7/16	4 3/4	14 25/32	6 15/16	26 9/32	4 13/32	17 17/32	2 1/8 ODS	1 3/8 ODS	4DK3A250
4DE3R12M	20 1/16	17 9/32	4 19/32	14 1/8	6 1/16	25 13/32	3 27/32	16 1/16	1 5/8 ODS	1 1/8 ODS	4DE3A100
4DR3R19M	20 3/8	17 7/16	4 3/4	14 25/32	6 15/16	26 9/32	4 13/32	17 17/32	2 1/8 ODS	1 3/8 ODS	4DR3A200
4DK3R16M	20 3/8	17 7/16	4 3/4	14 1/8	6 1/16	25 13/32	3 27/32	16 1/16	1 5/8 ODS	1 1/8 ODS	4DK3A150
4DR3R28M	20 3/8	17 7/16	4 3/4	14 25/32	6 15/16	27 1/32	5 5/32	17 17/32	2 1/8 ODS	1 3/8 ODS	4DR3A270
4DK3S16M	20 3/8	17 7/16	4 3/4	14 25/32	6 15/16	26 9/32	4 13/32	17 17/32	2 1/8 ODS	1 3/8 ODS	
4DE3S13M	20 1/16	17 9/32	4 19/32	14 1/8	6 1/16	25 13/32	3 27/32	16 1/16	1 5/8 ODS	1 3/8 ODS	

SPECIFICATIONS	
ES NO.	DESCRIPTION
ES22-122	PACKAGING
ES81-159	CLEANLINESS
ES81-250	IDENTIFICATION
ES92-167	REGULATORY COMPLIANCE
ES92-155	CONVERSION-METRIC

NOTES:
 ▲ ALL TOLERANCES ARE ± 3/32 EXCEPT INDUSTRY STANDARDS APPLY TO FITTINGS AND VALVES.



 	INTERPRET PER ASME Y14.5M-1994 AND EMERSON CLIMATE TECHNOLOGIES, INC DESIGN STANDARDS DS2002 DO NOT SCALE DRAWING THIRD ANGLE PROJECTION	CONFIDENTIALITY NOTICE THIS DRAWING AND INFORMATION CONTAINED HEREIN ARE THE EXCLUSIVE PROPERTY OF EMERSON CLIMATE TECHNOLOGIES, INC. AND SHALL BE RETURNED UPON DEMAND AND SHALL NOT BE REPRODUCED IN WHOLE OR IN PART TO ANYONE ELSE OR USED, WITHOUT THE WRITTEN CONSENT OF EMERSON CLIMATE TECHNOLOGIES, INC.		
	UNLESS OTHERWISE SPECIFIED TOLERANCES ARE INCH OR [MILLIMETER] 2-PLACE ± 3-PLACE ± ANGULAR ±	MATERIAL SPECIFICATION N/A	DRAWN BY MMB DATE 11-26-07	SUPERSEDES DWG. NO. / REV. NO. 497-0197-00 / 18 SCALE 1:3 DATE FORMAT: MM-DD-YY

COPYRIGHT EMERSON CLIMATE TECHNOLOGIES, INC. - CONFIDENTIAL