



# Air Conditioners 4AC13

## TECHNICAL SPECIFICATIONS

- R-410A Refrigerant
- High-quality condenser coil with copper tubing and enhanced louvered fin for maximum heat transfer capacity
- Top discharge directs hot air away from living area and shrubbery
- All units factory run tested
- Naltex® Hail Guard™ protects coils from fin damage
- Easy access to electrical panels
- Hinged control panel allows easy access for testing internal components
- 45-degree service valves for easy hook-up and service
- Liquid line filter drier in every unit (factory installed)
- Charged for 15 feet of interconnecting tubing
- All units ETL, ETLC approved and AHRI listed

**13 SEER**  
**1.5 to 5 Tons**



### **Warranty**

Compressor - 5 Year Limited  
Parts - 5 Year Limited



# Air Conditioners

## 4AC13

### Cooling Performance with RBC Air Handlers

Outdoor Unit Model No.	Indoor Unit Model No.	SEER	EER	<sup>1</sup> Rated Air Capacity	Rated Sensible Capacity	cfm	Indoor Metering Device	
							<sup>2</sup> Required Indoor Orifice	Optional Field Installed TXV
4AC13B18P-1A	RBCS2M18C	13.00	11.50	18,100	13,000	600	0.053	A4TXV01
4AC13B24P-1A	RBCS2M24C	13.50	11.00	23,000	16,600	750	0.057	A4TXV01
4AC13B30P-1A	RBCS2M30C	13.50	11.50	28,200	21,200	1000	0.062	A4TXV01
4AC13B36P-1A	RBCS2M36C	13.50	11.50	34,200	25,300	1200	0.065	A4TXV02
4AC13B42P-1A	RBCS2M42C	13.50	11.00	39,500	29,600	1400	0.074	A4TXV02
4AC13B48P-1A	RBCS2M48C	13.50	11.00	47,000	33,400	1550	0.082	A4TXV03
4AC13B60P-1A	RBCSM260C	13.00	11.00	56,000	39,800	1750	0.090	A4TXV03

<sup>1</sup> Certified in accordance with Unitary Air Conditioning Program which is based on AHRI Standard 210/240.

<sup>2</sup> Required to achieve AHRI rating.

NOTE - A blower time delay is also required to achieve AHRI rating. Furnished with RBC air handlers.

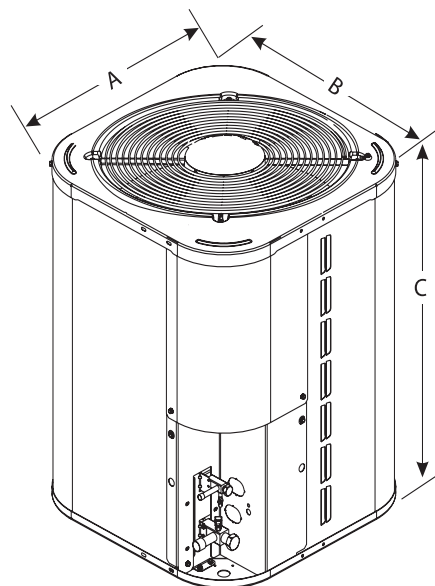
### Sound Ratings

Model No.	Sound Rating dBA
4AC13B18P-1A	76
4AC13B24P-1A	76
4AC13B30P-1A	78
4AC13B36P-1A	76
4AC13B42P-1A	78
4AC13B48P-1A	80
4AC13B60P-1A	80

### Dimensions

Model No.	4AC13B18P-1A	4AC13B24P-1A	4AC13B30P-1A	4AC13B36P-1A
Cabinet Width (A) in	22-1/2"	22-1/2"	30"	30"
Cabinet Depth (B) in	22-1/2"	22-1/2"	30"	30"
Height (C) in	25-3/4"	29-3/4"	29-3/4"	33-3/4"

Model No.	4AC13B42P-1A	4AC13B48P-1A	4AC13B60P-1A
Cabinet Width (A) in	30"	30"	30"
Cabinet Depth (B) in	30"	30"	30"
Height (C) in	37-3/4"	29-3/4"	33-3/4"



1.800.982.2333  
www.aireflo-hvac.com



210548 4AC13 (10/09)

© Aire-Flo Heating and Cooling, 2009