

Door Closers



The closers on this page are designed to help insure a positive closing for foam insulated walk-in doors. Used in addition to cam-lift hinges and magnetic door gaskets, these closers guard against energy loss due to cooler and freezer doors not being closed. All snubbers illustrated on this page mount at the top outside of the door (not recommended for doors with positive latches).

1094 Series

Hydraulic operated
Chrome plated steel
construction.



40-440 Illustrated

Order No.	Hinge Offset
40-440	Flush closer w/ hook
40-441	1 1/8 in. offset closer w/ hook
40-442	Replacement flush hook
40-443	Replacement 1 1/8 in. offset hook
40-444	Body only (exposed mounting Illustrated.)
40-446	Body only (concealed mounting)

1600 Series

Hydraulic
operated, heavy
duty
Chrome or
stainless steel
construction



Concealed mounting. Door closers supplied w/hook and mounting screws.

Order No.	Hinge Offset
43-411	Flush closer w/ hook, polished chrome
43-412	Offset closer w/ hook, polished chrome 1 1/8 in.
43-415	Flush hook only, chrome
43-416	1 1/8 offset hook only, chrome
43-417	Screw mounting kit
43-413	Flush closer w/ hook, stainless steel

1092 Series



Hydraulic operated Chrome finish

Order No.	Hinge Offset
40-301	Door closer flush offset
40-302	Door closer 1 1/8 in. offset
40-494	Replacement, flush hook
40-495	Replacement, 1 1/8 in. offset
40-303	Screw mounting kit

Door closers are sold complete with door closer body, hook, and screw pack.

R55 Series

This series replaces the Standard-Keil 2882 series door closer (exact replacement, no re-drilling required). Mounting hardware included.



Provided with white plastic cover.
Hydraulic operated

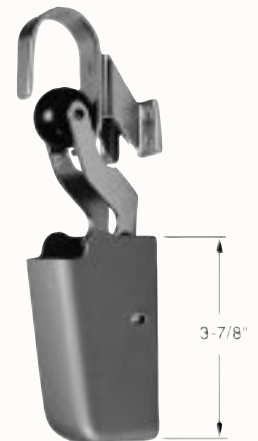
Order No.	Hinge Offset
43-342	Flush offset
43-341	1 1/8 in. offset

1091 Series

Spring type mechanism with grey plastic cover
Non-hydraulic. Mounting hardware included.

Order No.	Hinge Offset
40-250	Flush offset
40-251	1 1/8 in. offset

National TOLL FREE
Order Desk
(800) 423-2446



Sales Department :
24 hr. Fax:
www.rhsc.net

Colorado (800) 716-7788
Colo. Fax (800) 835-6655
sales@rhsc.net

California (800) 537-8300
Calif. Fax (800) 833-3515
rhscopy@qwest.net



Door Closers

2000 Series Door Closer

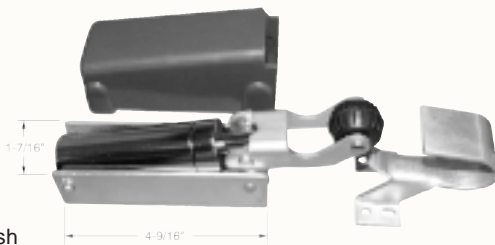


Polished chrome finish

Heavy-duty door closer. Concealed mounting. Mounting hardware and shims included. Hydraulic operated door closer.

Order No.	Description
43-522	Flush offset

D275 Series Door Closer



Chrome finish

Hydraulic operated. Includes fasteners and plastic cover. Concealed mounting.

Order No.	Description
18-175	Flush offset

1800 Series Door Closer



Chrome finish

Spring operated. Mounting hardware included.

Order No.	Description
43-520	Flush offset
43-521	1 1/8 in. offset

1093 Series Door Closer

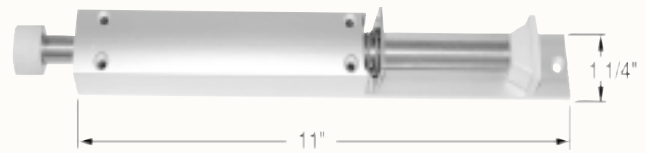
Hydraulic operated. Includes plastic cover (not shown) and mounting hardware.

Aluminum finish

Order No.	Description
40-727	Flush offset
40-728	1 1/8 in. offset



Door Hold Open Foot

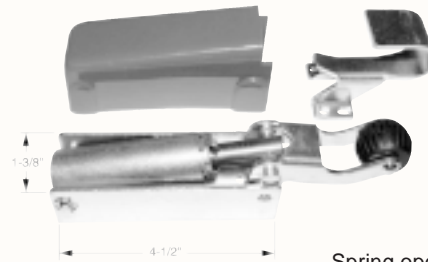


Polished chrome finish

Walk-In door hold open. Aluminum and steel construction. 4 in. stroke on foot travel.

Order No.	Description
43-524	Surface mount

D850 Series Door Closer



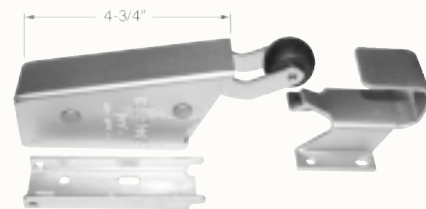
Zinc plated finish

Spring operated. Includes fasteners and plastic cover.

Order No.	Description
18-205	Concealed mounting, flush offset
18-206	Exposed mounting, flush offset

1095 Series Door Closer

Spring operated. Includes mounting hardware.



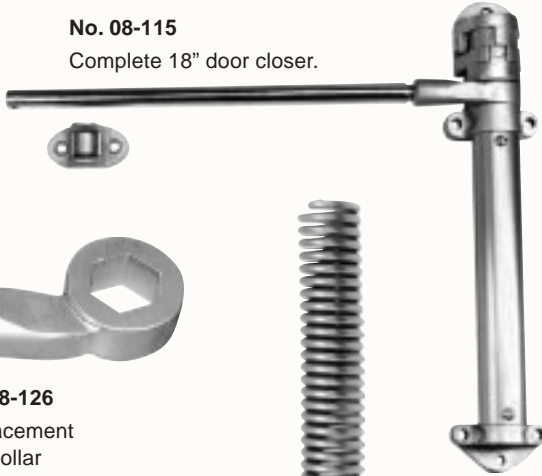
Chrome finish

Order No.	Description
40-704	Door closer body only
40-442	Flush offset hook only
40-443	1 1/8 in. offset hook only

55-18 Series 18" Door Closer

The 18" arm model is designed for doors measuring up to 36" wide. 90 and 180 degree hold open feature. Adjustable spring tension. Reversible for left or right hinged door. Can be used with strap or cam-lift hinges.

No. 08-115
Complete 18" door closer.



No. 08-126
Replacement
arm collar



No. 08-117
Replacement
spring



No. 08-127
Replacement
ratchet collar



No. 08-118
Replacement
arm bar



No. 08-128
Replacement
lock collar



No. 08-119
Replacement
ratchet dog



No. 08-116
Replacement
arm roller



Aluminum finish

Order No.	Description
08-115	Closer assembly 18 in.
08-117	Replacement spring
08-118	Replacement arm bar
08-119	Replacement ratchet dog
08-116	Replacement arm roller
08-126	Replacement arm collar
08-127	Replacement ratchet collar
08-128	Replacement lock collar
70-390	Mounting screw kit

55-25 Series 25" Door Closer

The 25" arm model is designed for doors measuring up to 72" wide. 90 and 180 degree hold open feature. Adjustable spring tension. Reversible for left or right hinged door. Can be used with strap or cam-lift hinges.

No. 08-121
Complete 25" door closer.



No. 08-114
Replacement
arm collar



No. 08-122
Replacement
spring



No. 08-129
Replacement
ratchet collar



No. 08-123
Replacement
arm bar



No. 08-120
Replacement
lock collar



No. 08-124
Replacement
ratchet dog



Aluminum finish

Order No.	Description
08-121	Closer assembly 25 in.
08-122	Replacement spring
08-123	Replacement arm bar
08-124	Replacement ratchet dog
08-125	Replacement arm roller
08-114	Replacement arm collar
08-120	Replacement lock collar
08-129	Replacement ratchet collar
70-390	Mounting screw kit

No. 08-125
Replacement
arm roller





Door Closers & Optional Equipment

1097 Series Door Closer

For operator safety manufacturer recommends closer be used only on doors exceeding 200 lb. Reversible for left or right hinged doors. Can be used with cam-lift or fixed pin hinges. Mounting hardware supplied.



No. 40-304

For doors up to 42 in. wide, reversible.

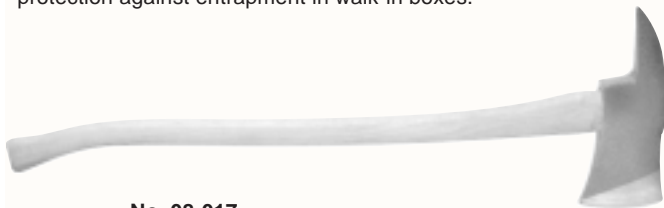
Order No.	Description
40-304	Door closer assy. Zinc
40-305	Door closer assy. Chrome
40-395	Replacement spring Zinc
40-396	Replacement spring Chrome
40-427	Replacement arm roller Zinc
40-428	Replacement arm roller Chrome
40-429	Replacement arm bar Zinc
70-390	Mounting screw kit (optional)

No. 40-395
Replacement spring assembly

National TOLL FREE
Order Desk
(800) 423-2446

Emergency Axe

A Fireman's spike pointed axe required by many state authorities for protection against entrapment in walk-in boxes.



No. 08-017

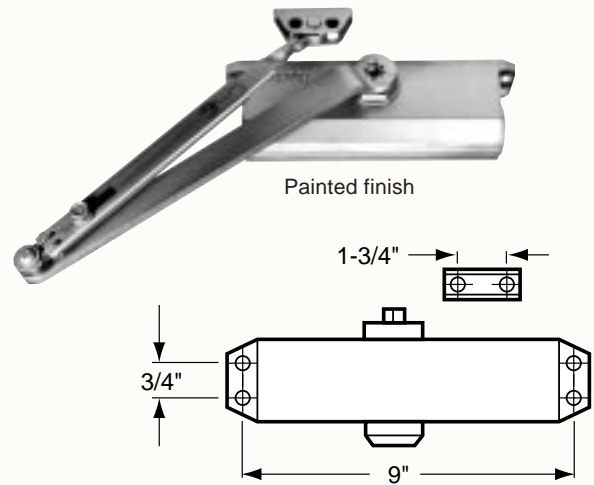
Axe overall length 35 1/2 in. clear coated to retard rust.



No. 08-018
Mounting brackets
painted finish

Hydraulic Door Closers

Installs 3-ways—regular arm, parallel arm and top jamb.



Painted finish

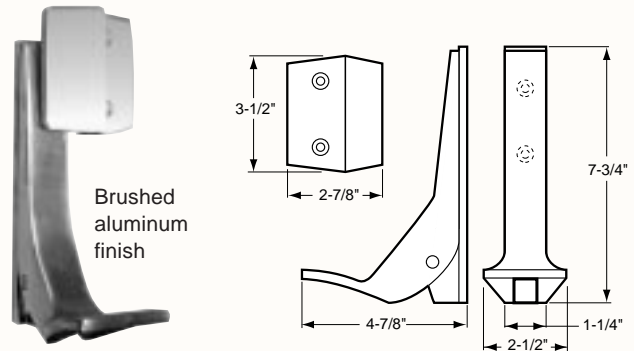
No. 08-038

Hydraulic door closer (mounting screws included)
Use this closer on doors with magnetic gaskets.
Reversible for right or left hand doors.

Polished aluminum finish.

Order No.	Description	MFG.#
08-037	Hyd. door closer assembly	1603
08-038	Hyd. door closer assembly (extra heavy spring version)	1604

Foot Treadles



Brushed aluminum finish

Foot treadles are used to open doors equipped with magnetic gaskets.

Order No.	Description	MFG. NO.
18-111	Foot treadle, flush offset	D-82
18-112	Foot treadle, 1 1/8 in. offset	D-82
18-115	Foot treadle, 1 3/4 in. offset	D-82