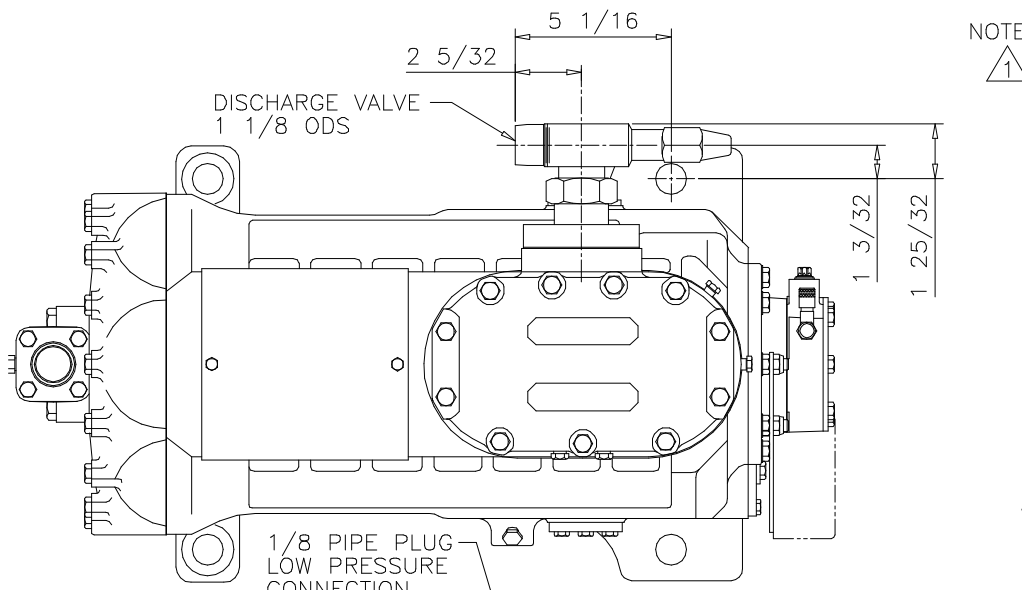


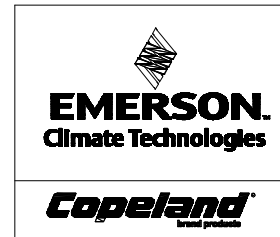
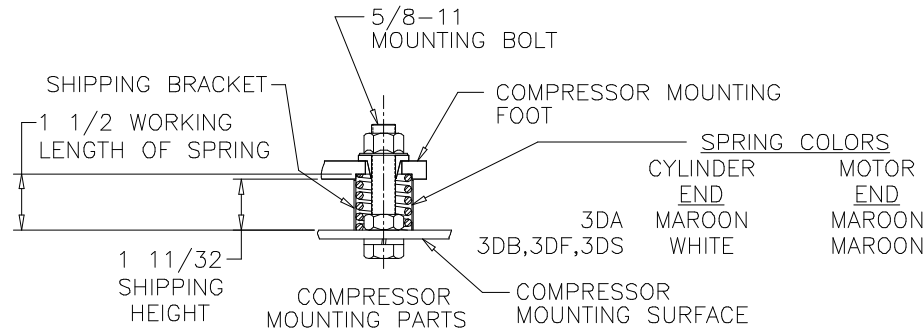
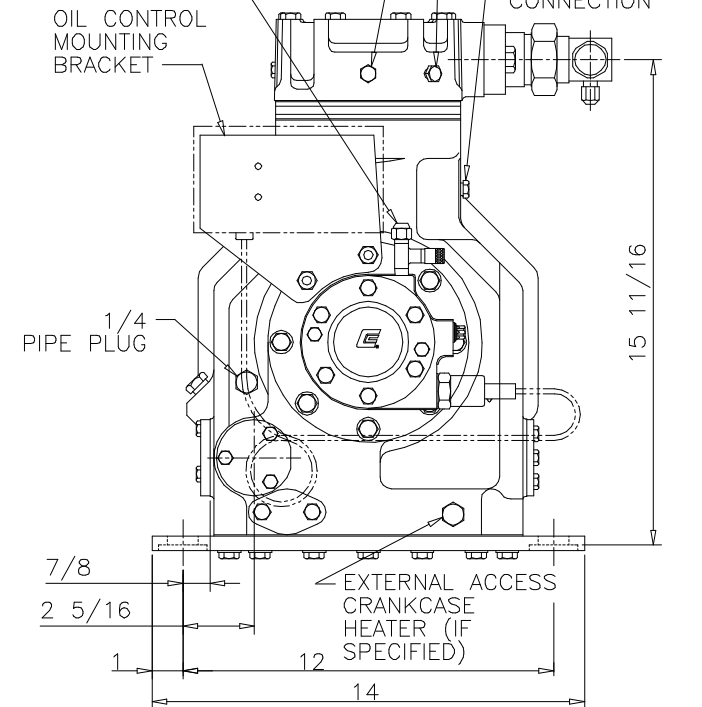
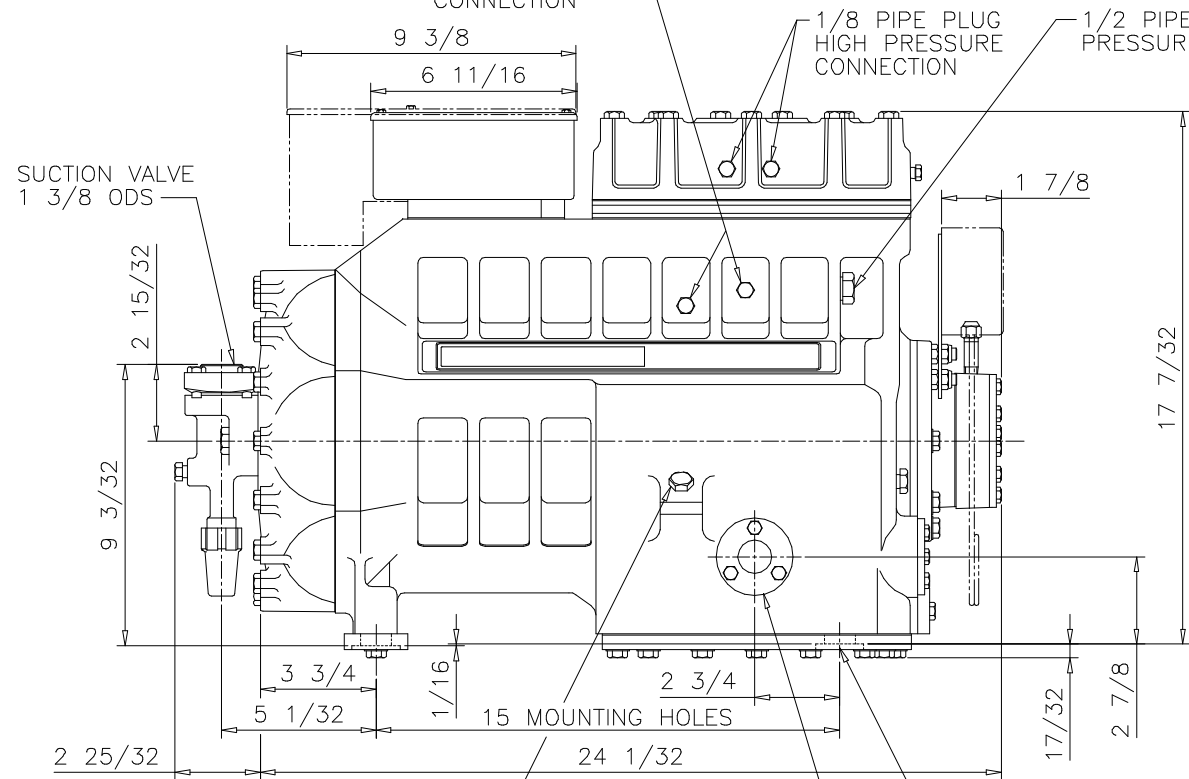
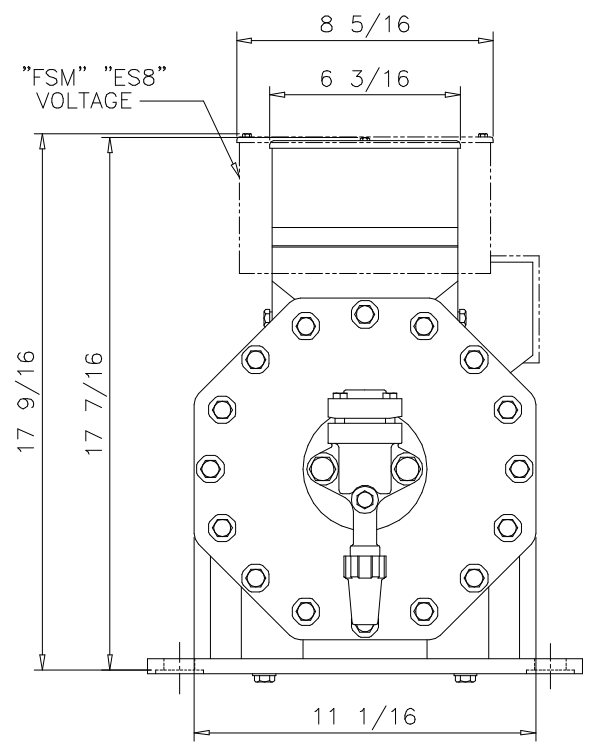
MODEL	OLD MODEL NUMBER
3DA3R10M	3DA3A075
3DB3R12M	3DB3A100
3DF3F26K	3DF3A075
3DF3F40K	3DF3A090
3DF3R15M	3DF3A120
3DS3F30K	3DS3A075
3DS3F46K	3DS3A100
3DB3F34KE	—

SPECIFICATIONS	
ES NO.	DESCRIPTION
ES22-122	PACKAGING
ES81-159	CLEANLINESS
ES81-250	IDENTIFICATION
ES92-167	REGULATORY COMPLIANCE
ES92-155	CONVERSION-METRIC

NOTES:
 1 ALL TOLERANCES ARE $\pm 3/32$ EXCEPT INDUSTRY STANDARDS APPLY TO FITTINGS AND VALVES.



OIL PRESSURE CONNECTION
 1/4 FLARE X 1/8 PIPE TEE WITH 1/4 FLARE SCHRADER CONNECTION



INTERPRET PER ASME Y14.5M-1994 AND EMERSON CLIMATE TECHNOLOGIES, INC. DESIGN STANDARDS DS2002 DO NOT SCALE DRAWING

THIRD ANGLE PROJECTION

UNLESS OTHERWISE SPECIFIED TOLERANCES:
 2-PLACE \pm
 3-PLACE \pm
 ANGULAR \pm

34-0606-019	24	REDRAWN WITH CHANGES	01-17-07	BF	CHK
31-1085-013	0	RELEASED	12-20-85	RN	
ENG NOTICE NO.	REV. NO.	REVISIONS	DATE	BY	CHKD APPR
7		CONFIDENTIALITY NOTICE THIS DRAWING AND INFORMATION CONTAINED HEREIN ARE THE EXCLUSIVE PROPERTY OF EMERSON CLIMATE TECHNOLOGIES, INC. AND SHALL BE RETURNED UPON DEMAND AND SHALL NOT BE REPRODUCED IN WHOLE OR IN PART TO ANYONE ELSE OR USED, WITHOUT THE WRITTEN CONSENT OF EMERSON CLIMATE TECHNOLOGIES, INC.			
MATERIAL SPECIFICATION	DRAWN BY	SUPERSEDES DWG. NO. / REV. NO.	DATE	SCALE	DATE FORMAT:
N/A	DJB	497-0150-00 / 23	01-17-07	3:8	MM-DD-YY
TITLE	DRAWING NUMBER SHEET 1 OF 1		DWG		
REF DWG - COPE COMP ASSY	497-0150-00		4		