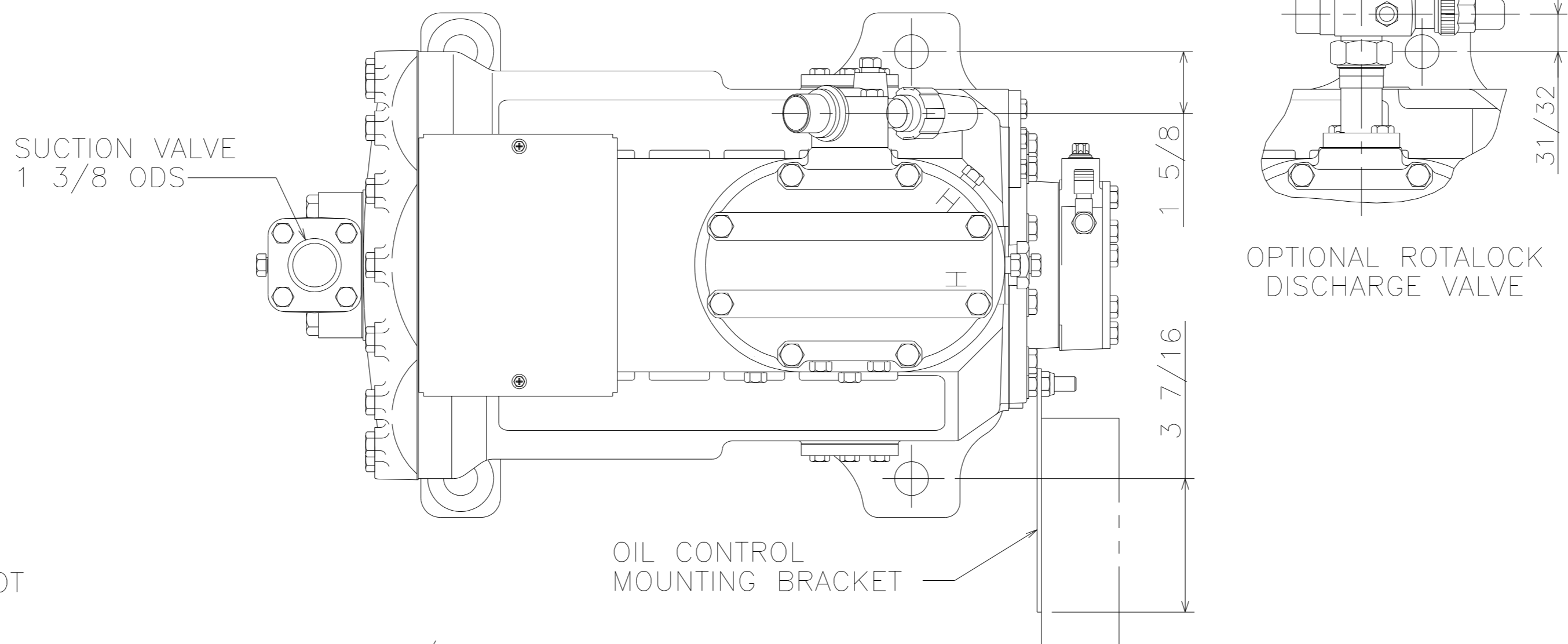
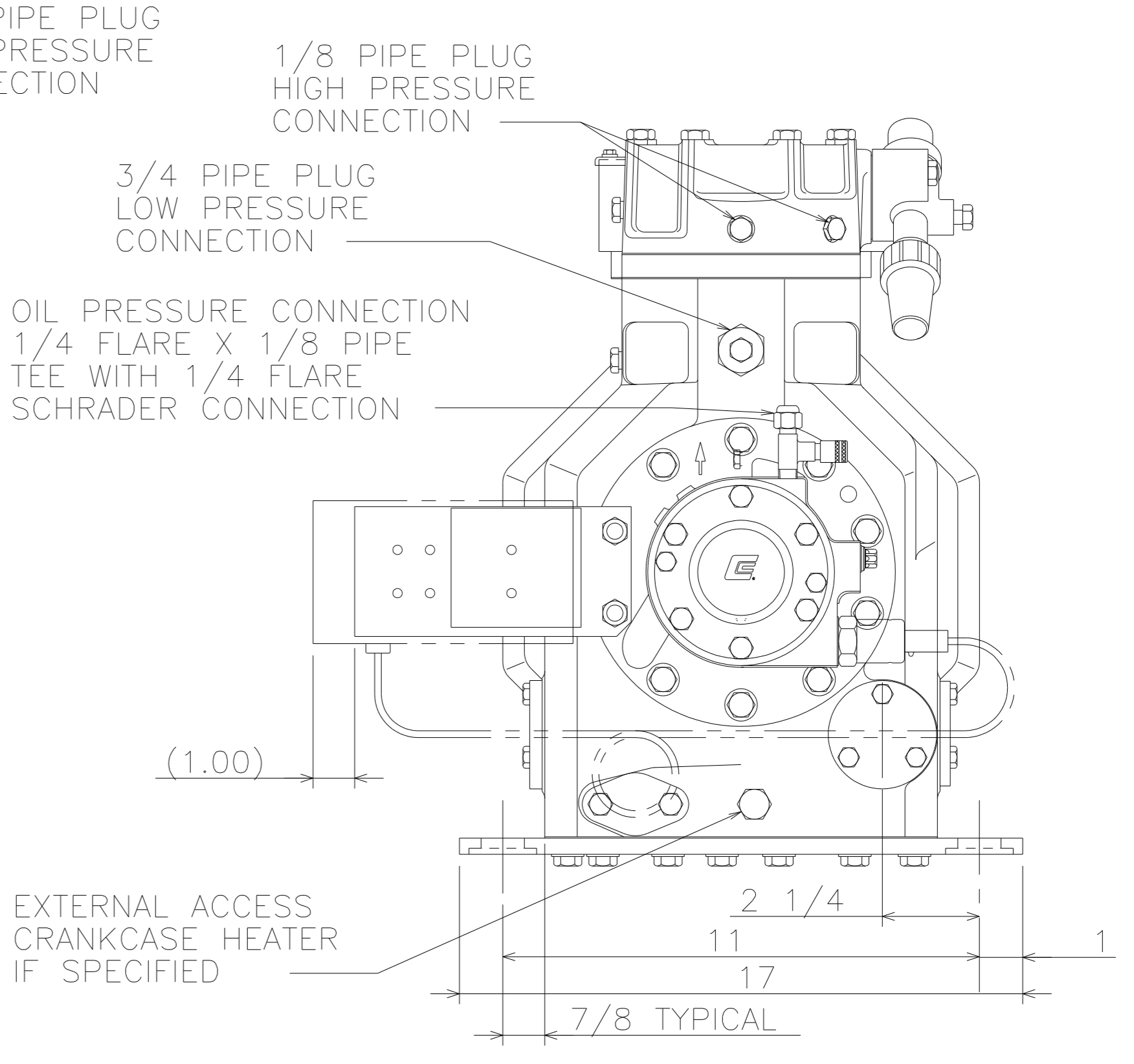
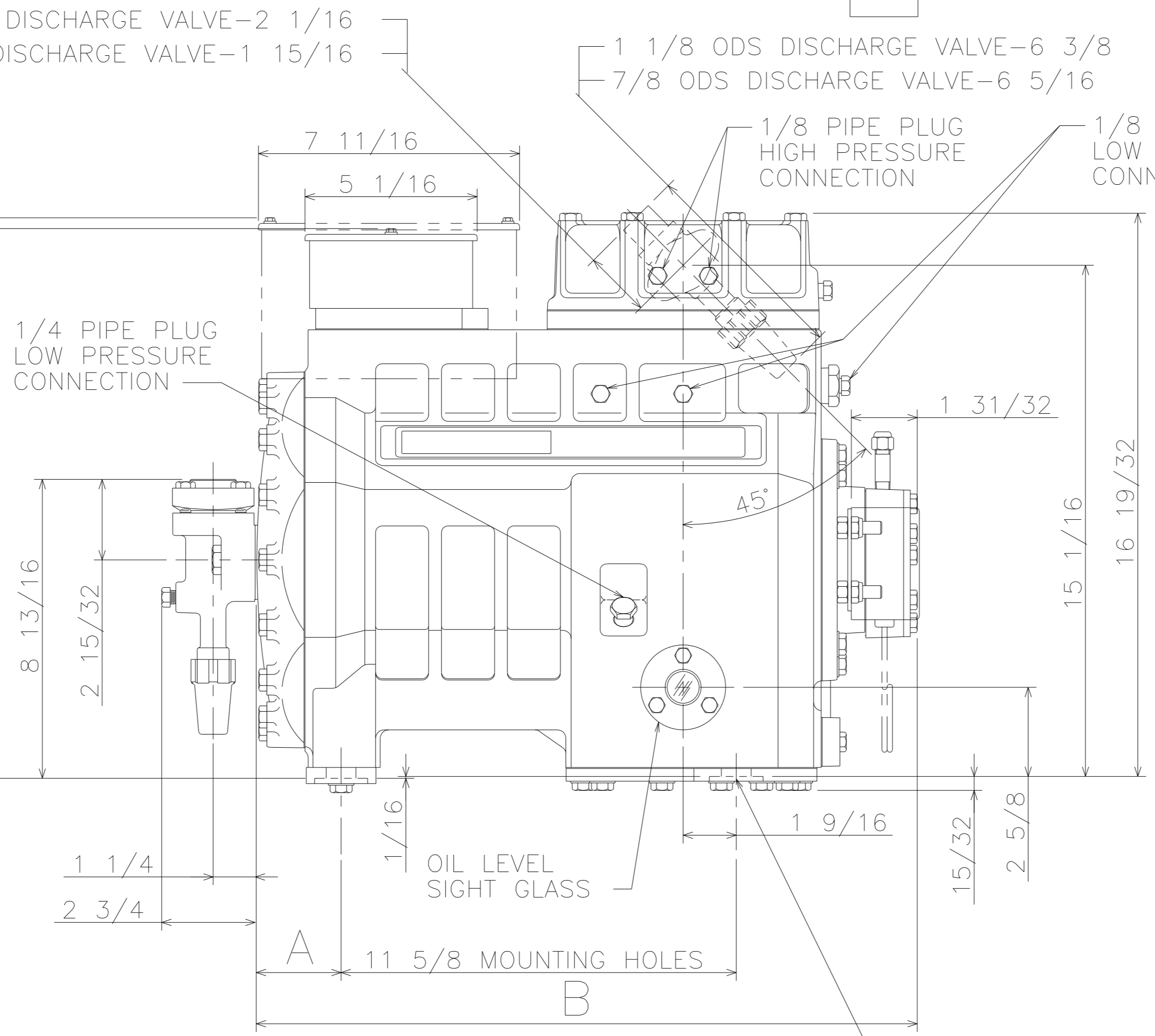
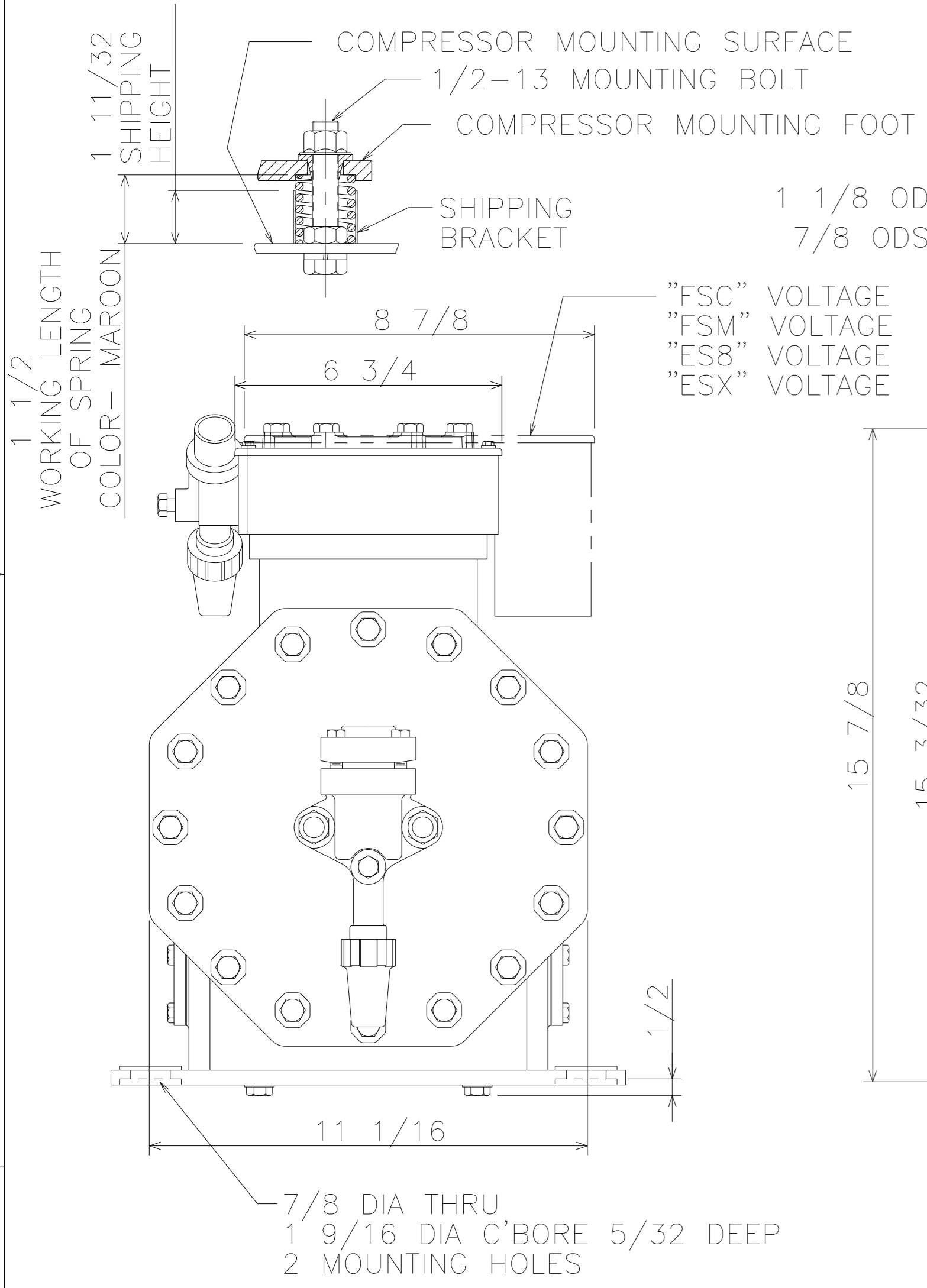


MODEL	A	B	OLD MODEL NUMBER
2DA3R58K	2 1/2	19 1/2	2DA3-050
2DA3F23K	3 1/2	20 1/2	2DA3-060
2DA3R89K	3 1/2	20 1/2	2DA3-075
2DB3R61K	2 1/2	19 1/2	2DB3-050
2DB3F25K	3 1/2	20 1/2	2DB3-060
2DC3R53K	3 1/2	20 1/2	2DC3-050
2DCJR53K	3 1/2	20 1/2	2DCJ-050
2DF3F16K	3 1/2	20 1/2	2DF3-030
2DD3R63K	3 1/2	20 1/2	2DD3-050
2DL3F20K	3 1/2	20 1/2	2DL3-040
2DL3R78K	3 1/2	20 1/2	2DL3-075

SPECIFICATIONS	
ES NO.	DESCRIPTION
ES22-122	PACKAGING
ES81-159	CLEANLINESS
ES81-250	IDENTIFICATION
ES92-167	REGULATORY COMPLIANCE
ES92-155	CONVERSION-METRIC



NOTE:
 1 ALL TOLERANCES ARE ±3/32 EXCEPT INDUSTRY STANDARDS APPLY TO FITTINGS AND VALVES.



7/8 DIA THRU
1 9/16 DIA C'BORE 1/8 DEEP
2 MOUNTING HOLES

EMERSON
Climate Technologies

Copeland
brand products

INTERPRET PER ASME Y14.5M-1994 AND EMERSON CLIMATE TECHNOLOGIES, INC DESIGN STANDARDS DS2002 DO NOT SCALE DRAWING

THIRD ANGLE PROJECTION

UNLESS OTHERWISE SPECIFIED DIMENSIONS ARE INCH OR [MILLIMETER]

TOLERANCES:
 2-PLACE ±
 3-PLACE ±
 ANGULAR ±

7

CONFIDENTIALITY NOTICE
 THIS DRAWING AND INFORMATION CONTAINED HEREIN ARE THE EXCLUSIVE PROPERTY OF EMERSON CLIMATE TECHNOLOGIES, INC. AND SHALL BE RETURNED UPON DEMAND AND SHALL NOT BE REPRODUCED IN WHOLE OR IN PART TO ANYONE ELSE OR USED, WITHOUT THE WRITTEN CONSENT OF EMERSON CLIMATE TECHNOLOGIES, INC.

MATERIAL SPECIFICATION	DRAWN BY	SUPERSEDES DWG. NO. / REV. NO.	
N/A	MMB	497-0184-00 / 28	
	DATE	SCALE	DATE FORMAT:
	11-23-07	1:4	MM-DD-YY

TITLE: REF DWG-COPE COMP ASSM

DRAWING NUMBER SHEET 1 OF 1 DWG 4 SIZE

31-0907-049	29	REDRAWN; CHG FORMAT FOR PROJECT INC	11-23-07	MMB	CHK	RST
31-0289-036	0	RELEASED	01-19-89	EG		
ENG NOTICE NO.	REV.NO.	REVISIONS	DATE	BY	CHKD	APPR