

24010
24012
24013
24014

MARS relay/transformer fan control centers

MARS series 240 fan centers provide convenient low voltage control of one and two speed fan motors and auxiliary circuits in heating, cooling, or heating/cooling applications. Each MARS fan center is a reliable, compact unit consisting of a 24 volt control transformer and a plug-in switching relay mounted on a 4" square electrical junction box cover. All line voltage connections are made inside the box with color coded pre-stripped leads. Low voltage connections are made at a convenient terminal board mounted to the transformer.

COMPONENT

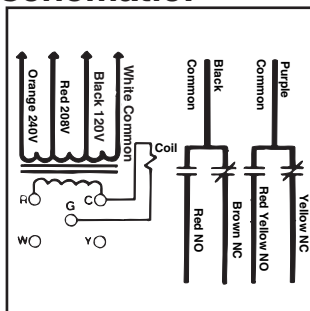
features:

- Choice of SPST, SPDT, SPNO / SPNC or DPDT relay switching options
- UL 1585 40 VA transformer
- Color coded leads
- Low voltage terminal board
- Mounts directly to 4" electrical box
- Made in USA

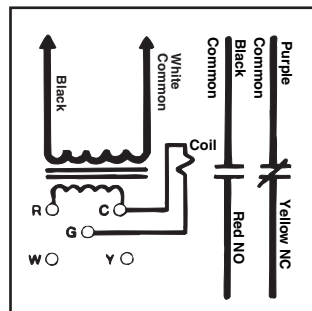
40va 3/4 hp

MARS NO.	TRANSFORMER		CONTACT RATINGS						
	PRIMARY VOLTAGE	SECONDARY CONNECTIONS	24V	Terminal board with 5 screw terminals	120V AC (amps) FULL RELAY	120V AC (amps) LOCKED LOAD	240V AC (amps) FULL ROTOR	240V AC (amps) LOCKED LOAD	240V AC (amps) ROTOR
24010	120/208/240	Color coded leads, pre-stripped	24V	Terminal board with 5 screw terminals	DPDT	13.8	82.8	6.9	41.4
24012	120	Color coded leads, pre-stripped	24V	Terminal board with 5 screw terminals	SPNO/SPNC	13.8	82.8	6.9	41.4
24013	120	Color coded leads, pre-stripped	24V	Terminal board with 5 screw terminals	SPDT	13.8	82.8	6.9	41.4
24014	120	Color coded leads, pre-stripped	24V	Terminal board with 5 screw terminals	SPST	13.8	82.8	6.9	41.4

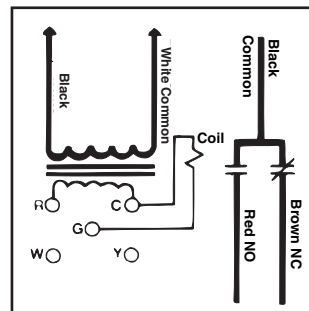
schematic:



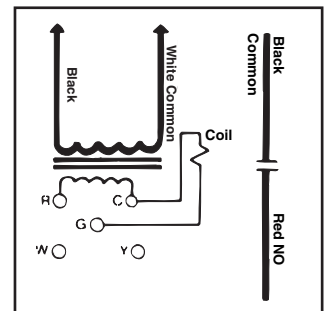
24010



24012



24013



24014