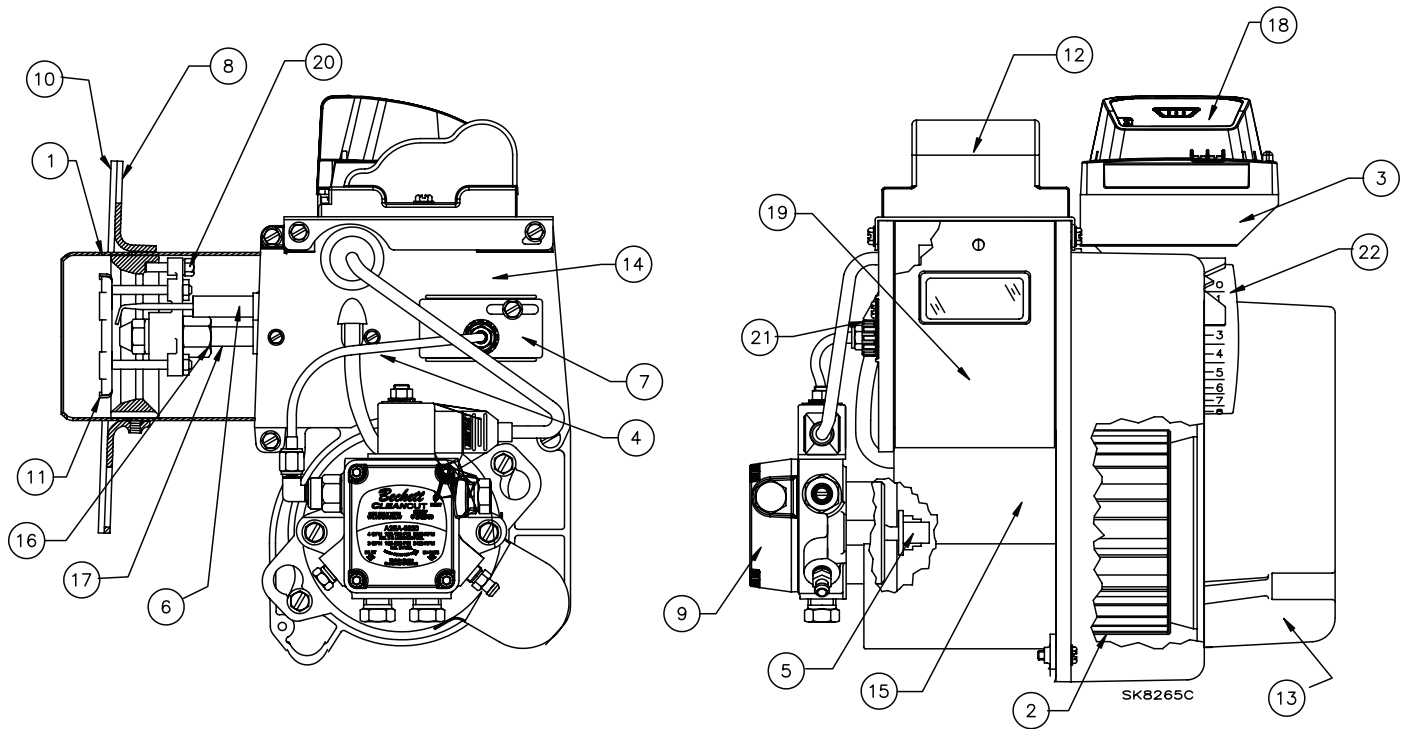


Replacement Parts

For best performance specify genuine *Beckett* replacement parts



Item	Description	Kit No.
1	Air tube combination	Specify*
2	Blower Wheel: AFII 85 (4-1/4") AFII 100 (4-1/2") AFII 150 (4-1/2")	21439U 21438U 21438U
3	Electrical box	31613
4	Connector tube, 8" Copper	5394
5	Coupling, Motor to Pump	21437U
6	Electrodes: HLX Heads FBX Heads	51484U 51670U
7	Escutcheon Plate: AFII Blank AFII 140psi	31623 3162302
8	Flange Kit, (adjust. 3-1/2" ID w/gasket)	51480
9	Fuel Pump: Cleancut	2184404U
10	Gasket, flange	31658
11	Head: FBX:FB0, FB3, FB4, or FB6 HLX: AF2 6 Slot Head AF2 9 Slot Head Head insulator Kit (FB0, 3, 4, 6 only)	Specify* 51671U 51672U 51685
12	Igniter, Electronic	51805U
13	Inlet air scoop, plastic, sound insulated	51485

Item	Description	Kit No.
14	Housing ass'y: AFII 85 & 100 AFII 150	51584U 51476U
15	Motor: 1/7 hp, 3450 rpm, 115V/60Hz	21444U
16	Nozzle adapter	213
17	Nozzle Line Electrode Head ass'y	Specify*
18	Replaces R7184A - Interrupted Ignition	7505A
	Replaces R7184B - Pre-time**	7505B
	Replaces R7184P - Pre and Post- time**	7505P
19	Rear Access Door	51424U
20	Stop Screw Replacement Kit	51483
21	Splined Nut	3666
22	Dial, Air Adjustment (UL approved)	51758

*Contact your Beckett representative for part number and pricing.

**Contact your Beckett representative for available pre and post time settings.