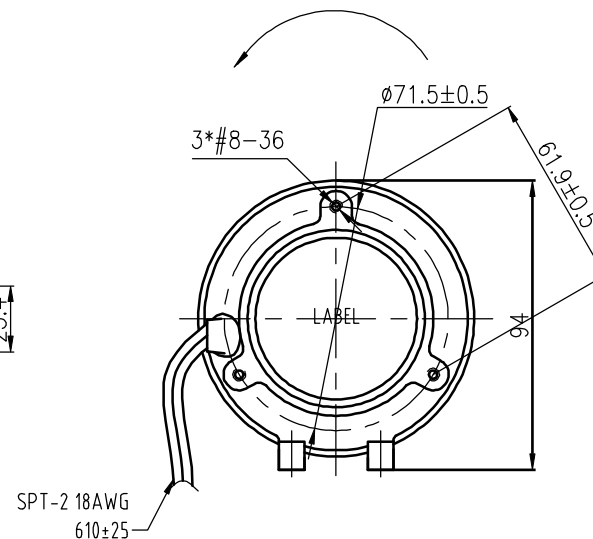
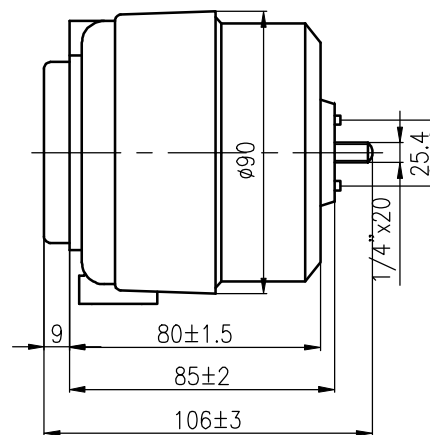
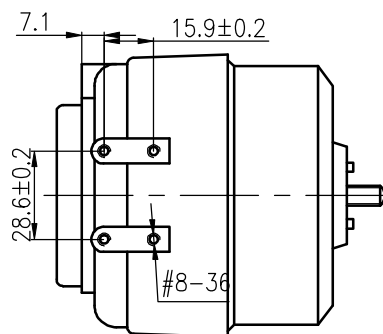


15822



Technical Requirements :

DESCRIPTION:UNIT BEARING FAN MOTOR

OUTPUT:16WATTS @230V

RPM:1550 (60Hz)

F.L.A:0.48

INSULATION:CLASS A

THERMALLY PROTECTED

Customer Product Type : 15822

ROTATION:CCW

LEADS SPT-2

U.L.FILE NO.E221116

Designed by	Checked by	Approved by - date	File name	Date	Scale
				2015,2,3	1:1
			ONSG.300.3113-3	Edition 1	Sheet A4