



Builder's Best, Inc.
 201 Broiles Drive
 Jacksonville, TX 75766
 888-368-7233
 fax: 800-259-8368
 www.BuildersBest.com

J BLOCK VENT HOOD

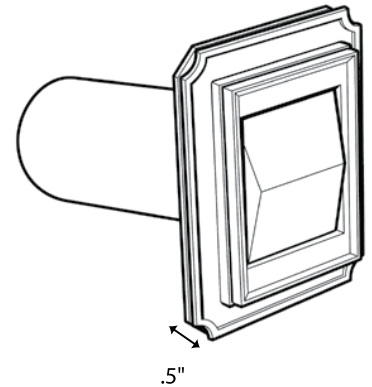
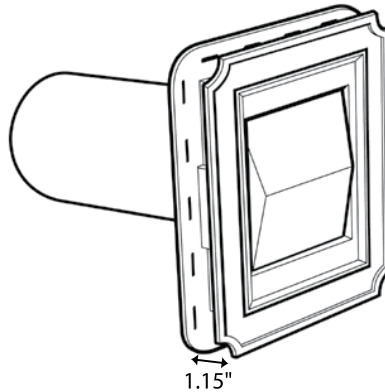
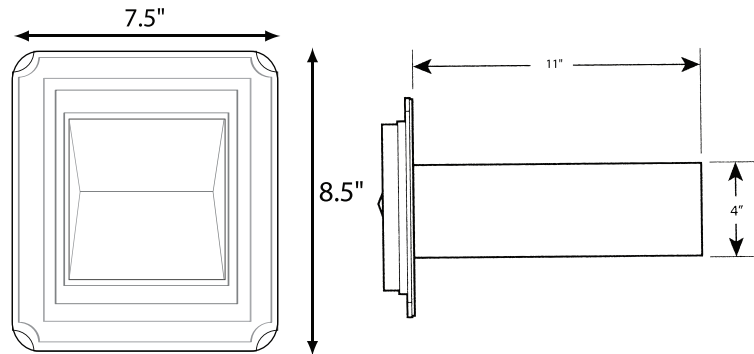


PRODUCT SPECIFICATIONS

- Polypropylene modified for impact and UV resistance
- Wood grain finish
- Use for brick, siding & stucco applications
- Weighted design helps prevent wind noise and animal entry
- 11" tailpipe available
- reversible trim ring

PART NUMBERS

| Diameter | Color | Part # | Qty | Package |
|---|-------|--------|-----|---------|
| Reversible trim ring adjusts from 0"-.5": | | | | |
| 4" | White | 111705 | 12 | Bulk |
| | Brown | 111712 | 12 | Bulk |
| Reversible trim ring adjusts from .5 - 1.15": | | | | |
| 4" | White | 111706 | 12 | Bulk |
| | Brown | 111713 | 12 | Bulk |
| Faceplates only for 0 - .5" | | | | |
| 4" | White | 111714 | 12 | Bulk |
| | Brown | 111715 | 12 | Bulk |
| Faceplates only for .5 - 1.15": | | | | |
| 4" | White | 111716 | 12 | Bulk |
| | Brown | 111717 | 12 | Bulk |



LABELS

WARRANTY

Manufacturer assumes no responsibility for failure due to improper installation. All specifications and designs are subject to change without notice and without incurring liability.

WARRANTY EXCLUSION AND DISCLAIMER Seller specifically excludes, and hereby disclaims any express representation or express warranty of any kind with respect to the goods ordered hereunder. All implied warranties, including without limitation merchantability or fitness for a particular purpose or arising from a course of dealing or usage or trade shall expire and cease 45 days after date of delivery. Seller shall not be liable to buyer or any third party for any special, secondary, incidental, or consequential damages however arising. Nothing in this provision shall invalidate or restrict any right or remedy otherwise available under state or federal law. Materials and specifications subject to change without notice.