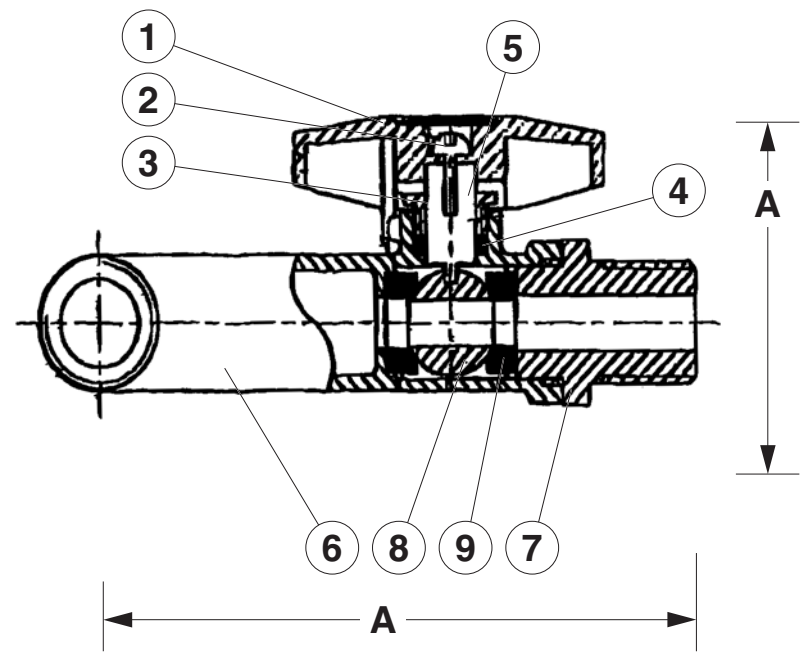


Model T-565

1/4 Turn Ball Type Oil Tank valve



NO.	PART	MATERIAL
1	HANDLE	ZINC ALLOY
2	SCREW	BRASS
3	PACKING GLAND	BRASS (B16-C36000)
4	PACKING	*TEFLON (PTFE)
5	STEM	BRASS (B16-C36000)
6	BODY	BRASS (B16-C36000)
7	END ADAPTER	BRASS (B16-C36000)
8	BALL	BRASS (B16-C36000)
9	SEATS	*TEFLON (PTFE)
*TEFLON IS A REGISTERED TRADEMARK OF DUPONT		



SIZE	A	B							
1/2" M X 3/8" M	2.185	1.25							

- NOTES:
- 125 WOG