



## Econo Cap® Gas Ball Valves



ISO EN 9001:2000

### Description

Econo Cap® Gas Ball Valves are 1/4 turn, hot, forged brass, standard port, 2-piece appliance type ball valves. Made in Italy. 100% tested.



T-205 (T-handle)

T-205 (teardrop)

### Features

- Temperature range: -40°F to +300°F
- Pressure rating: 125 WSP/400 WOG.
- Handles reversible in closed position
- Aluminum handles with special plastic coating
- Double Viton® O-rings prevent stem leakage
- Blow-out proof 2-piece design

### Approvals

- CSA US&C
- Tested to ANSI Z21.15
- Threads conform to ANSI B1.20

### Lockable Operation

The butterfly handle is reversible in the closed position by removing the allen wrench screw and reversing the handle 180° into the slot, which locks the handle in the close position.

### Warranty

The Company, for a period of one year from the date of shipment, warrants each product or system of its own manufacture to the original purchaser to be free from defects in material and workmanship under normal use, service and maintenance.

#### Architect/Engineer approval

Job Name _____	Date _____
Model Specified _____	Quantity _____
Variations Specified _____	
Customer/Wholesaler _____	
Contractor _____	
Architect _____	

Note: Information subject to change without notice.



Jomar International Ltd.  
 7243 Miller Drive  
 Warren, MI 48092  
 Phone: 800-325-5690  
 Fax: 800-628-4194  
 www.jomar.com

## Econo Cap® Gas Ball Valves



### Description

Econo Cap® Gas Ball Valves are 1/4 turn, hot, forged brass, standard port, 2-piece appliance type ball valves. Made in Italy. 100% tested.

**Model T-205** with red T-handle is available in 1/2", 3/4" and 1" sizes.

**Model T-205** with yellow teardrop handle is available in 1/2" and 3/4" sizes.

### Dimensions in Inches

Computer No.	Valve Size	NPT					BTU Capacity†
		A	B	C	D	E	
102-503	1/2"	2.225	1.692	0.393	1/2"	2.285	290,000
102-504	3/4"	2.460	1.811	0.591	3/4"	2.285	720,000
102-505	1"	3.070	2.725	0.787	1"	2.559	1,200,000
102-513	1/2"	2.225	1.692	0.393	1/2"	2.285	290,000††
102-514	3/4"	2.460	1.811	0.591	3/4"	2.285	720,000††

† These capacities are based on gas having a heating value of 1,000 BTU per cubic foot and a specific gravity of 0.64 at a pressure drop of 1.0 in W.C.

†† Teardrop Handle

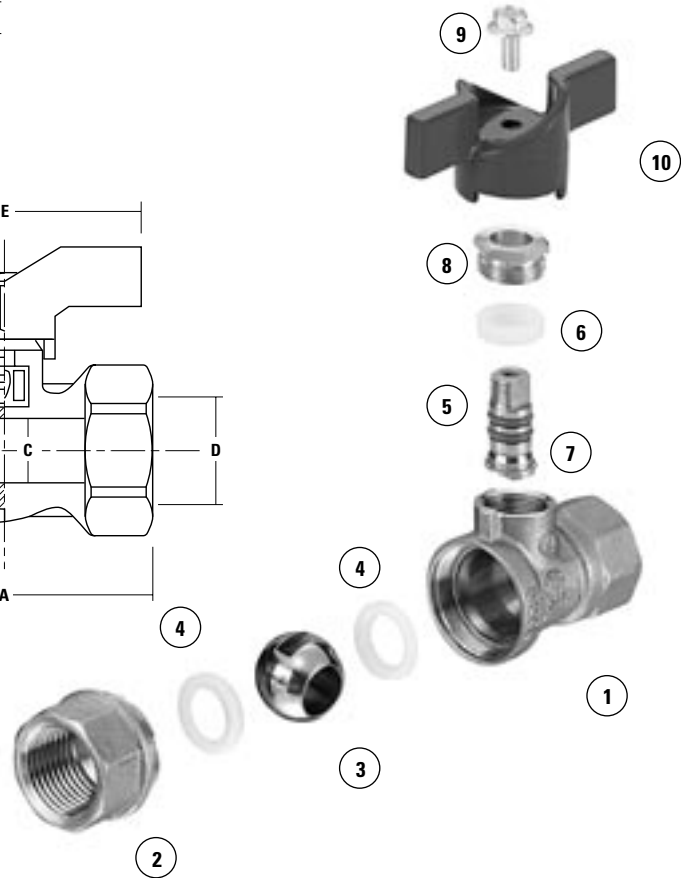
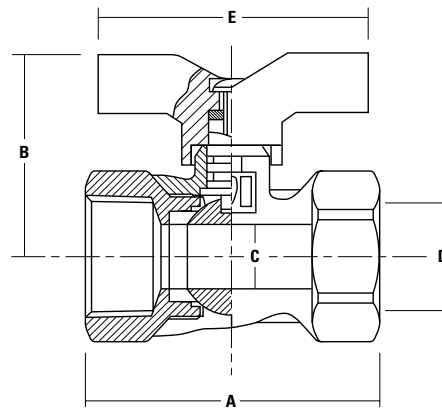
### Material Specifications

No.	Part Name	Materials
1	Body	Hot Forged Brass
2	End Adapter	Hot Forged Brass
3	Ball	Hard C.P. Brass
4	Seat (2)	PTFE
5	Stem	Extruded Brass
6	Stem Packing	PTFE
7	O-Rings (2)	Viton®
8	Follower Gland	Extruded Brass
9	Screw	Dacromet Steel
10	T-Handle/Teardrop	Aluminum with Special Plastic Coating

### Pressure Rating

125 WSP / 400 WOG

### VALVE SEAT RATING



Note: Information subject to change without notice.