

T-204 Flare



Blue Cap™ II Gas Ball Valves



ISO EN 9001:2000

Description

1/4-turn, hot forged brass, 2-piece design, standard port, appliance type gas ball valves. Made in Italy. 100% tested.

Features

- Reversible tamper-proof, lockable handle
- Pressure rating: 600 WOG / 150 WSP
- Temp range: -40°F to 300°F
- Double Viton® O-ring stem design

Approvals

- CSA Certified ANSI Z21.15 .5 PSIG
- CSA Certified AGA 3-88 House Piping Systems (5 PSIG) (sizes: 1/4" - 1/2" For sizes above 1/2" use Model T-100NE)
- UL Listed YQNZ, YRPV, YSDT and MHKZ

Lockable Handle Operation

The butterfly handle is reversible in the closed position by removing the allen wrench screw and reversing the handle 180° into the slot, which locks the handle in the close position.

Warranty

The Company, for a period of one year from the date of shipment, warrants each product or system of its own manufacture to the original purchaser to be free from defects in material and workmanship under normal use, service and maintenance.



T-204 FL x FL

T-204 MIP x FIP
Tear Drop Handle

T-204 FIP x Flare

Architect/Engineer approval

Job Name _____ Date _____
Model Specified _____ Quantity _____
Variations Specified _____
Customer/Wholesaler _____
Contractor _____
Architect _____

Note: Information subject to change without notice.



Jomar International Ltd.
7243 Miller Drive
Warren, MI 48092
Phone: 800-325-5690
Fax: 800-628-4194
www.jomar.com

© Copyright 2006 Printed in U.S.A.
T-204 Flare
0406

T-204 Flare

Blue Cap™ II Gas Ball Valves



Description

1/4-turn, hot forged brass, two-piece design, standard port, appliance type gas ball valves. Made in Italy. 100% tested.

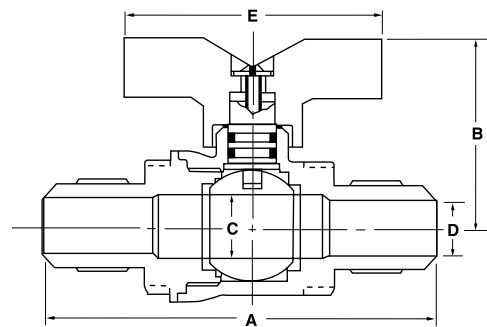
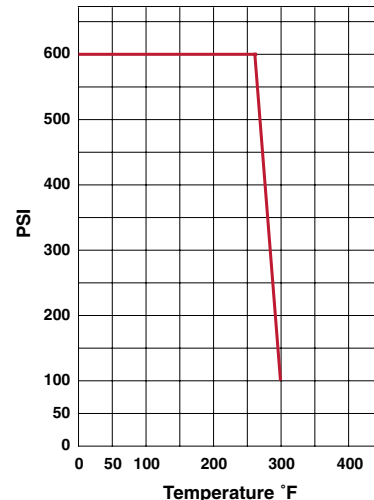
Dimensions in Inches

Computer No.	Valve Size	A	B	C	D	E	BTU
T-204 T-Handle (FIP x Flare)							
101-502	1/2" x 3/8"	3.67	1.62	.47	1/2 NPT	2.29	290,000
101-503	1/2"	2.86	1.62	.47	.41	2.29	390,000
101-504	3/4" x 5/8"	2.94	1.62	.59	3/4 NPT	2.29	390,000
T-204 T-Handle (Flare x Flare)							
101-601	1/2" x 3/8"	2.98	1.62	.47	-	2.29	290,000
101-602	3/8"	2.81	1.62	.47	.27	2.29	390,000
101-603	1/2"	3.15	1.62	.47	.41	2.29	390,000
101-604	5/8"	3.46	1.62	.59	.51	2.29	720,000
T-204 T-Handle (MIP x Flare)							
101-702	1/2" x 3/8"	2.84	1.62	.47	.27	2.29	290,000
101-703	1/2"	3.00	1.62	.47	.41	2.29	390,000
T-204 Teardrop Handle (FIP x Flare)							
101-512	1/2" x 3/8"	2.67	1.62	.47	1/2 NPT	1.98	290,000
101-513	1/2"	2.86	1.62	.47	.41	1.98	390,000
T-204 Teardrop Handle (Flare x Flare)							
101-612	3/8"	2.81	1.62	.47	.27	1.98	99,600
101-613	1/2"	3.15	1.62	.47	.41	1.98	112,000
101-614	5/8"	3.46	1.62	.59	.51	1.98	475,000

Material Specifications

No.	Part Name	Materials
1	Body	Forged Brass
2	End Adapter	Forged Brass
3	Ball	Chrome Plated Brass
4	Seats(2)	PTFE
5	Stem	Brass
6	O-Rings(2)	Viton®
7	T-Handle/Tear Drop Handle	Aluminum
8	Handle Screw	Coated Steel

VALVE SEAT RATING



Note: Information subject to change without notice.



Jomar International Ltd.
7243 Miller Drive
Warren, MI 48092
Phone: 800-325-5690
Fax: 800-628-4194
www.jomar.com

© Copyright 2006 Printed in U.S.A.
T-204 Flare
0406