

# T-204 FIP x FIP



## Blue Cap™ II Gas Ball Valves



ISO EN 9001:2000



**T-204 FIP x FIP  
T-Handle**



**T-204 FIP x FIP  
Teardrop Handle**

### Description

1/4-turn, hot forged brass, 2-piece design, standard port, appliance type gas ball valves. Made in Italy. 100% tested.

### Features

- Reversible tamper-proof, lockable handle
- Pressure rating: 600 WOG / 150 WSP
- Temp range: -40°F to 300°F
- Double Viton® O-ring stem design

### Approvals

- CSA Certified ANSI Z21.15 .5 PSIG
- CSA Certified AGA 3-88 House Piping Systems (5 PSIG) (sizes: 1/4" - 1/2" For sizes above 1/2" use Model T-100NE)
- UL Listed YQNZ, YRPV, YSDT and MHKZ
- Threads conform to ANSI B1.20.1

### Lockable Handle Operation

The butterfly handle is reversible in the closed position by removing the allen wrench screw and reversing the handle 180° into the slot, which locks the handle in the close position.

### Warranty

The Company, for a period of one year from the date of shipment, warrants each product or system of its own manufacture to the original purchaser to be free from defects in material and workmanship under normal use, service and maintenance.

#### Architect/Engineer approval

Job Name \_\_\_\_\_ Date \_\_\_\_\_  
 Model Specified \_\_\_\_\_ Quantity \_\_\_\_\_  
 Variations Specified \_\_\_\_\_  
 Customer/Wholesaler \_\_\_\_\_  
 Contractor \_\_\_\_\_  
 Architect \_\_\_\_\_

Note: Information subject to change without notice.



Jomar International Ltd.  
 7243 Miller Drive  
 Warren, MI 48092  
 Phone: 800-325-5690  
 Fax: 800-628-4194  
 www.jomar.com

© Copyright 2006 Printed in U.S.A.  
 T-204 FIPx FIP  
 0406

# T-204 FIP x FIP

## Blue Cap™ II Gas Ball Valves



### Description

1/4-turn, hot forged brass, two-piece design, standard port, appliance type gas ball valves. Made in Italy. 100% tested.

### Dimensions in Inches

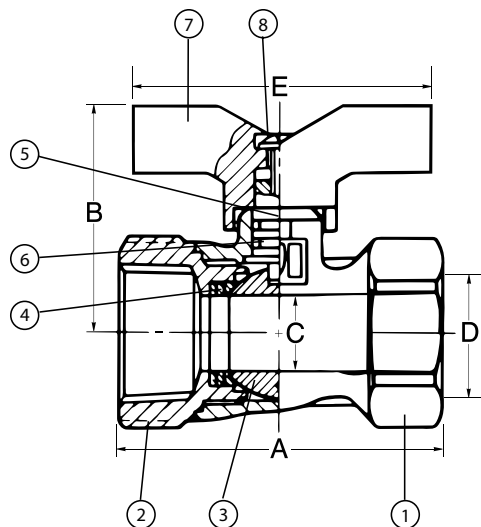
Computer No.	Valve Size	A	B	C	D	E	BTU
<b>T-204 T-Handle</b>							
101-401	1/4"	2.05	1.62	.47	.25	2.29	290,000
101-402	3/8"	2.33	1.62	.47	.38	2.29	390,000
101-403	1/2"	2.33	1.62	.47	.50	2.29	390,000
101-404	3/4"	2.40	1.71	.59	.75	2.29	720,000

### T-204 Teardrop Handle

101-411	1/4"	2.05	1.62	.47	.25	1.88	290,000
101-412	3/8"	2.33	1.62	.47	.38	1.88	390,000
101-413	1/2"	2.33	1.62	.47	.50	1.88	390,000
101-414	3/4"	2.40	1.71	.59	.75	1.88	720,000

### Material Specifications

No.	Part Name	Materials
1	Body	Forged Brass
2	End Adapter	Forged Brass
3	Ball	Chrome Plated Brass
4	Seats(2)	PTFE
5	Stem	Brass
6	O-Rings(2)	Viton®
7	T-Handle/Tear Drop Handle	Aluminum
8	Handle Screw	Coated Steel



### VALVE SEAT RATING



Note: Information subject to change without notice.



Jomar International Ltd.  
7243 Miller Drive  
Warren, MI 48092  
Phone: 800-325-5690  
Fax: 800-628-4194  
www.jomar.com

© Copyright 2006 Printed in U.S.A.  
T-204 FIPx FIP  
0406