

### ▶ FEATURES

- + Ships with Clean Air MERV 11 filter
- + Can be upgraded to Healthy Home MERV 13 filter with simple filter change
- + Minimal maintenance required — simply replace filter annually
- + Made of corrosion-resistant heavy gauge galvanized steel
- + Proprietary door design and Self-Seal™ filter design virtually eliminates air bypass, delivering MERV performance as rated
- + UL listed air cleaners, UL classified filters
- + Load rated up to 400 lbs.
- + 5-year warranty on cabinet from date of installation

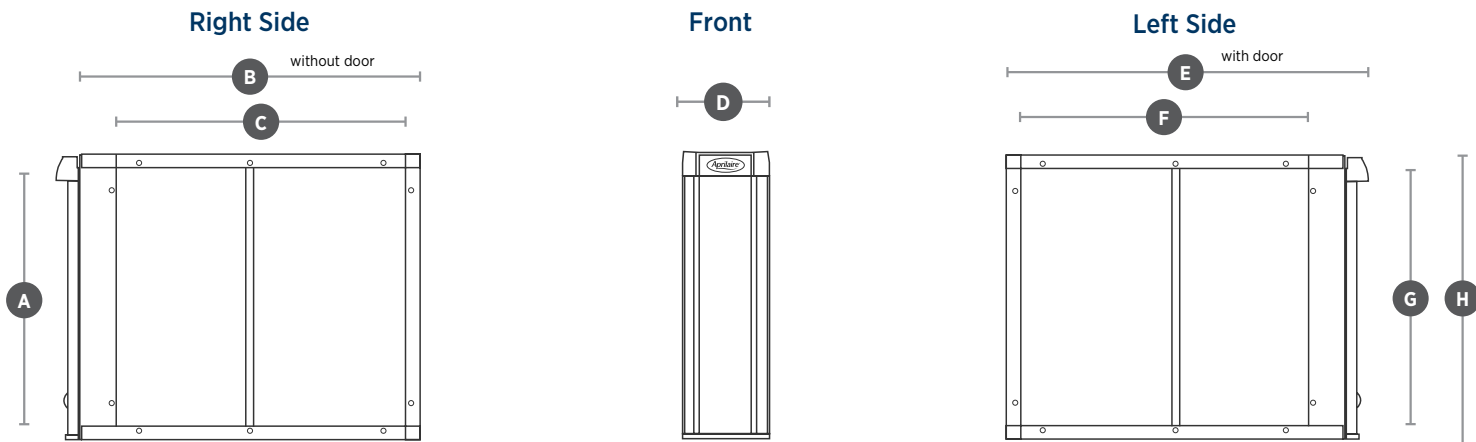


### ▶ BENEFITS

- + Offers equipment protection from dust buildup, reducing profit-robbing callbacks
- + Assured system performance through low static pressure
- + Superior performance over one-inch filters — next to no bypass, longer filter life, traps more particles

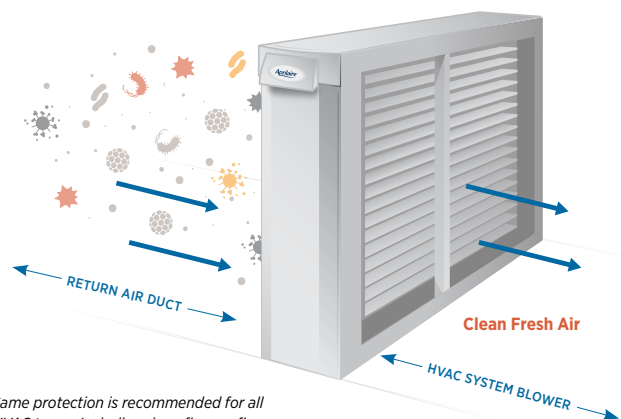
## PRODUCT SPECIFICATIONS

	Nominal Size (In Inches)	Shipping Weight	MERV 11				MERV 13							
			Replacement Filter	Resistance @ Airflow Volume (Inches w.c. @CFM)		Filter Carton Shipping Weight	Filtering Media Area	Replacement Filter	Resistance @ Airflow Volume (Inches w.c. @CFM)		Filter Carton Shipping Weight	Filtering Media Area		
<b>Model 1110</b>	16 x 20	13 lbs.	<b>MODELS SHIPS WITH</b>	<b>Model 110</b>	.06"@600 .10"@800	.14"@1000 .20"@1200	18 lbs.	22.2 sq. ft.	<b>ALSO USES</b>	<b>Model 113</b>	.11"@600 .16"@800	.22"@1000 .29"@1200	18 lbs.	22.2 sq. ft.
<b>Model 1210</b>	20 x 25	18 lbs.		<b>Model 210</b>	.04"@600 .06"@800 .08"@1000 .11"@1200	.13"@1400 .16"@1600 .19"@1800 .22"@2000	25 lbs.	28 sq. ft.		<b>Model 213</b>	.06"@600 .09"@800 .12"@1000 .15"@1200	.19"@1400 .23"@1600 .27"@1800 .31"@2000	25 lbs.	28 sq. ft.
<b>Model 1310</b>	20 x 20	15 lbs.		<b>Model 310</b>	.06"@600 .10"@800	.14"@1000 .19"@1200	19 lbs.	21.3 sq. ft.		<b>Model 313</b>	.09"@600 .13"@800	.17"@1000 .23"@1200	19 lbs.	21.3 sq. ft.
<b>Model 1410</b>	16 x 25	17 lbs.		<b>Model 410</b>	.05"@600 .07"@800 .09"@1000 .12"@1200	.15"@1400 .19"@1600 .22"@1800 .27"@2000	22 lbs.	24.5 sq. ft.		<b>Model 413</b>	.07"@600 .10"@800 .14"@1000 .17"@1200	.22"@1400 .26"@1600 .31"@1800 .37"@2000	22 lbs.	24.5 sq. ft.
<b>Model 1910</b>	25 x 20	18 lbs.		<b>Model 910</b>	.03"@400 .05"@600 .07"@800 .09"@1000	.12"@1200 .15"@1400 .18"@1600 .22"@1800 .27"@2000	28 lbs.	25.9 sq. ft.		<b>Model 913</b>	.04"@400 .07"@600 .10"@800 .13"@1000	.17"@1200 .21"@1400 .25"@1600 .30"@1800 .35"@2000	28 lbs.	25.9 sq. ft.



Dim.	Description	Model				
		1110	1210	1310	1410	1910
A	Inlet Opening Height	15 <sup>7</sup> / <sub>16</sub> " (392mm)	19 <sup>3</sup> / <sub>4</sub> " (502mm)	18 <sup>1</sup> / <sub>8</sub> " (459mm)	15 <sup>7</sup> / <sub>16</sub> " (392mm)	22 <sup>3</sup> / <sub>4</sub> " (578mm)
B	Outer Housing Depth without Door	20 <sup>1</sup> / <sub>16</sub> " (510mm)	25 <sup>3</sup> / <sub>8</sub> " (645mm)	20 <sup>1</sup> / <sub>16</sub> " (510mm)	28 <sup>1</sup> / <sub>16</sub> " (713mm)	20 <sup>1</sup> / <sub>16</sub> " (510mm)
C	Inlet Opening Width	17 <sup>3</sup> / <sub>8</sub> " (441mm)	21 <sup>3</sup> / <sub>16</sub> " (538mm)	15 <sup>7</sup> / <sub>8</sub> " (403mm)	23 <sup>7</sup> / <sub>8</sub> " (606mm)	15 <sup>7</sup> / <sub>8</sub> " (403mm)
D	Unit Width	6 <sup>3</sup> / <sub>4</sub> " (171mm)	6 <sup>3</sup> / <sub>4</sub> " (171mm)	6 <sup>3</sup> / <sub>4</sub> " (171mm)	6 <sup>3</sup> / <sub>4</sub> " (171mm)	6 <sup>3</sup> / <sub>4</sub> " (171mm)
E	Outer Housing Depth with Door	22 <sup>1</sup> / <sub>16</sub> " (560mm)	27 <sup>3</sup> / <sub>8</sub> " (695mm)	22 <sup>1</sup> / <sub>16</sub> " (560mm)	30 <sup>1</sup> / <sub>16</sub> " (764mm)	22 <sup>1</sup> / <sub>16</sub> " (560mm)
F	Outlet Opening Width	17 <sup>3</sup> / <sub>8</sub> " (441mm)	21 <sup>3</sup> / <sub>16</sub> " (538mm)	15 <sup>7</sup> / <sub>8</sub> " (403mm)	23 <sup>7</sup> / <sub>8</sub> " (606mm)	15 <sup>7</sup> / <sub>8</sub> " (403mm)
G	Outlet Opening Height	15 <sup>7</sup> / <sub>16</sub> " (392mm)	19 <sup>3</sup> / <sub>4</sub> " (502mm)	18 <sup>1</sup> / <sub>8</sub> " (459mm)	15 <sup>7</sup> / <sub>16</sub> " (392mm)	22 <sup>3</sup> / <sub>4</sub> " (578mm)
H	Unit Height	17 <sup>3</sup> / <sub>4</sub> " (451mm)	22 <sup>1</sup> / <sub>16</sub> " (560mm)	20 <sup>3</sup> / <sub>8</sub> " (518mm)	17 <sup>3</sup> / <sub>4</sub> " (451mm)	25 <sup>1</sup> / <sub>16</sub> " (637mm)

## Replacement Filter



Same protection is recommended for all HVAC types. Including downflow, upflow and horizontal configurations.

REMOVAL EFFICIENCY (Based on Particle Size)			
	0.3-1.0 Microns	1.0-3.0 Microns	3.0-10 Microns
<b>MERV 11</b>	37%	67%	92%
<b>MERV 13</b>	63%	88%	93%

GENUINE Aprilaire Clean Air AIR FILTER			EFFICIENCY RATING MERV 11 1-YEAR LIFE	STOCK NO. 210 Fits Aprilaire Purifier Models: 1210   1420   1220   1226   1226   1226   4200
Ships With	<b>MERV 11 PERFORMANCE</b>	<b>Model 1110</b>	Filter Model 110	
		<b>Model 1210</b>	Filter Model 210	
		<b>Model 1310</b>	Filter Model 310	
		<b>Model 1410</b>	Filter Model 410	
		<b>Model 1910</b>	Filter Model 910	

GENUINE Aprilaire Healthy Home AIR FILTER			EFFICIENCY RATING MERV 13 1-YEAR LIFE	STOCK NO. 213 Fits Aprilaire Purifier Models: 1210   1420   1220   1226   1226   1226   4200
Ships With	<b>MERV 13 PERFORMANCE</b>	<b>Model 1110</b>	Filter Model 113	
		<b>Model 1210</b>	Filter Model 213	
		<b>Model 1310</b>	Filter Model 313	
		<b>Model 1410</b>	Filter Model 413	
		<b>Model 1910</b>	Filter Model 913	