



V146 Series Two-Way Pressure-Actuated Water-Regulating Valves

Description

The V146 Series Two-Way Pressure-Actuated Water-Regulating Valves regulate water flow to control refrigerant head pressure in systems with water-cooled condensers. The V146 valves are ideal for applications with system water pressures of up to 350 psig (24.1 bar), such as high-rise buildings.

V146EK and V146AL valves have an adjustable opening point in a refrigerant pressure range of 70 to 260 psi (4.8 to 17.9 bar). V146EK and V146AL valves are available in a 3/4 in. and 1 in. size. Use these valves with standard, non-corrosive refrigerants.

V146GK1 and V146GL1 valves have an adjustable opening point in a refrigerant pressure range of 200 to 400 psi (13.8 to 27.6 bar). The V146GK1 and V146GL1 valves are available in 3/4 in. and 1 in. size for use with standard, non-corrosive, high-pressure refrigerants.

Refer to the *V146 Series 2-Way Pressure-Actuated Water-Regulating Valves Product Bulletin (LIT-121709)* for important product application information.

Features

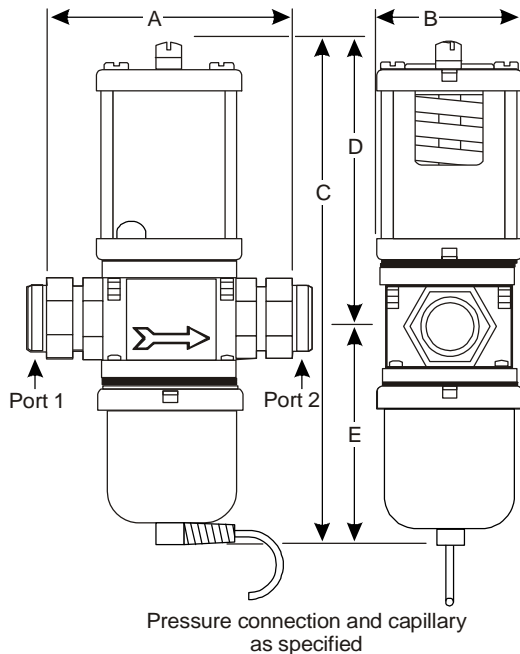
- no close-fitting or sliding parts in water passages
- high-pressure design
- pressure-balanced design
- corrosion-resistant material for internal parts
- accessible range spring
- take-apart construction

Applications

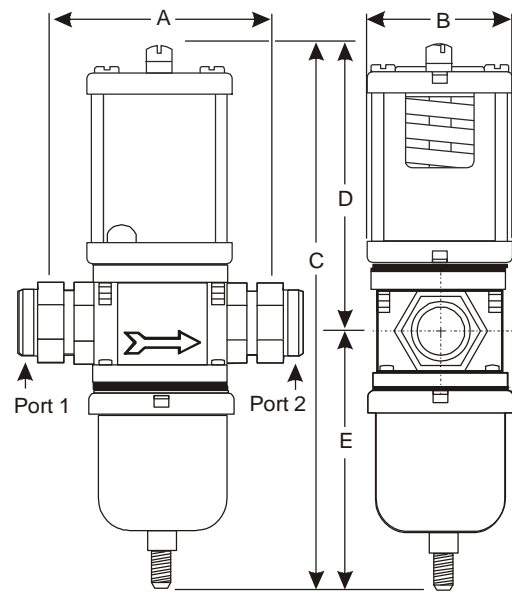
Each application is unique and requires specific engineering data to properly size and design a system to fulfill the appropriate requirements. Typically, a valve is replaced with another valve of the same size in a properly sized and engineered system.



V146 Series Valve



3/4 in. V146EK Valves



High Refrigerant Pressure 3/4 in. V146GK1 Valves

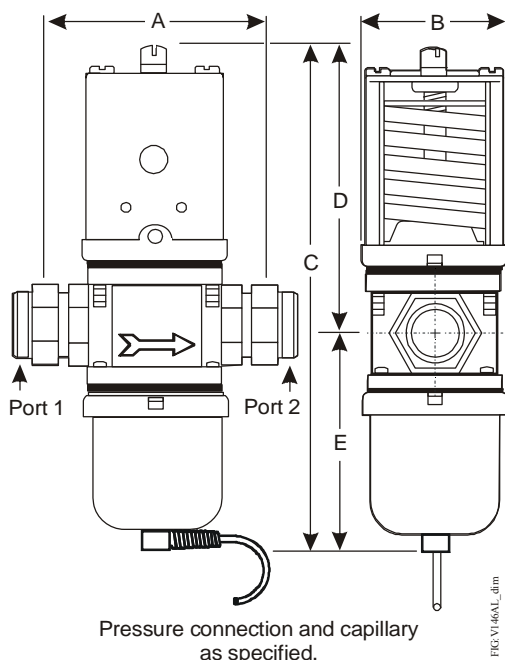
The performance specifications are nominal and conform to acceptable industry standards. For applications at conditions beyond these specifications, consult the Johnson Controls, Inc. shall not be liable for damages resulting from misapplication or misuse of its products. © 2015 Johnson Controls, Inc.



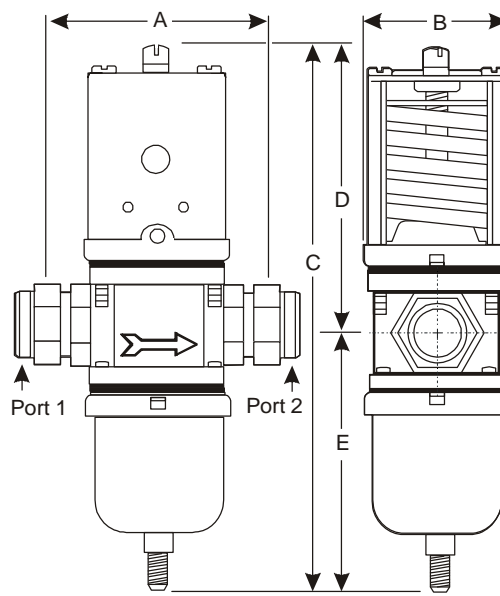
V146 Series Two-Way Pressure-Actuated Water-Regulating Valves (Continued)

Valve Dimensions, Inches (Millimeters)

Product Code Number	Nominal Valve Size	A	B	C	D	E
V146EK-1C	3/4 in.	3-3/8 (86)	2-3/16 (55)	7-3/16 (183)	4-3/16 (106)	3 (76)
V146GK1-001C	3/4 in.	3-3/8 (86)	2-3/16 (55)	8 (204)	4-3/16 (106)	3-13/16 (98)
V146AL-1C	1 in.	4-3/4 (121)	2-13/16 (72)	10 (254)	5-15/16 (151)	4-1/16 (103)
V146GL1-001C	1 in.	4-3/4 (121)	2-13/16 (72)	10-1/2 (267)	5-15/16 (151)	4-9/16 (116)



1 in. V146AL Valves



High Refrigerant Pressure 1 in. V146GL1 Valves

Selection

To make a rough field estimate of the size of valve for an application, find the valve size by locating a point on a flow chart that satisfies these requirements:

- water flow required by the condenser (**Flow**)
- refrigerant head pressure rise (**P_{RISE}**)
- available water pressure (**P_{AVAIL}**)

Follow these steps, and use the information obtained to locate a point on one of the flowcharts that satisfies all three steps.

1. Take the water flow required by the condenser (**Flow**) from information provided by the manufacturer of the condensing unit. If the manufacturer's information is unavailable, use the following information to make a rough approximation of maximum water flow in gallons per minute (gpm) (cubic meters per hour [m³/hr]):
 - System Capacity (**Tons of Refrigeration**)
 - Outlet Water Temperature (**Temp. _{Outlet}**)
 - Inlet Water Temperature (**Temp. _{Inlet}**)

Calculate the flow using the following formula:

$$\text{Flow} = \frac{\text{Tons of Refrigeration} \times 30}{(\text{Temp.}_{\text{Outlet}} - \text{Temp.}_{\text{Inlet}})}$$

Flow Required

- Note: If the outlet temperature is unknown, assume it to be 10F° (5.6C°) above the inlet temperature.
2. Determine refrigerant head pressure rise above the valve opening point (**P_{RISE}**) using the following steps:
 - a. The **Valve Closing Pressure (P_{CLOSE})** is equal to the refrigerant pressure at the highest ambient temperature the refrigeration equipment experiences in the Off cycle. Use a Pressure-Temperature Chart for the refrigerant selected to find this pressure.
 - b. To approximate the **Valve Opening Pressure (P_{OPEN})**, add about 7 psi (0.5 bar) for EK and AL models or 10 psi (0.7 bar) for GL1 or GK1 models to the Valve Closing Pressure.

The performance specifications are nominal and conform to acceptable industry standards. For applications at conditions beyond these specifications, consult th Johnson Controls, Inc. shall not be liable for damages resulting from misapplication or misuse of its products. © 2015 Johnson Controls, Inc.

V146 Series Two-Way Pressure-Actuated Water-Regulating Valves (Continued)

$$P_{OPEN} = P_{CLOSE} + 7 \text{ psi (0.5 bar)}$$

$$P_{OPEN} = P_{CLOSE} + 10 \text{ psi (0.7 bar)}$$

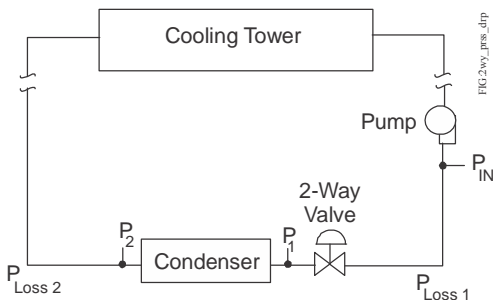
Valve Opening Pressure, EK and AL Models (Top) or GK1 and GL1 Models (Bottom)

- c. From the Pressure-Temperature Chart for the refrigerant selected, read the **Refrigerant Condensing Pressure (P_{COND})** (operating head pressure) corresponding to the selected condensing temperature.
- d. Subtract the Valve Opening Pressure from the Refrigerant Condensing Pressure. This gives the head pressure rise.

$$P_{RISE} = P_{COND} - P_{OPEN}$$

Figure 1: Refrigerant Head Pressure Rise

3. Determine the available water pressure to the valve (P_{AVAIL}) using the following steps. This is the actual water pressure available to force water through the valve.
 - a. Determine the minimum inlet pressure (P_{IN}). This is the water pressure from city water mains, pumps, or other sources.
 - b. Pressure drop through condenser (ΔP_{COND}) is the difference in water pressure between the condenser inlet and the condenser outlet. Obtain this information from the condenser manufacturer.
 - c. Estimate or calculate the pressure drop through all associated piping (P_{LOSS}).
 - d. Subtract the ΔP_{COND} and P_{LOSS} from P_{IN} . The result is P_{AVAIL} .



$$\Delta P_{COND} = P_1 - P_2$$

$$P_{LOSS} = P_{Loss 1} + P_{Loss 2} + \dots$$

$$P_{AVAIL} = P_{IN} - (\Delta P_{COND} + P_{LOSS})$$

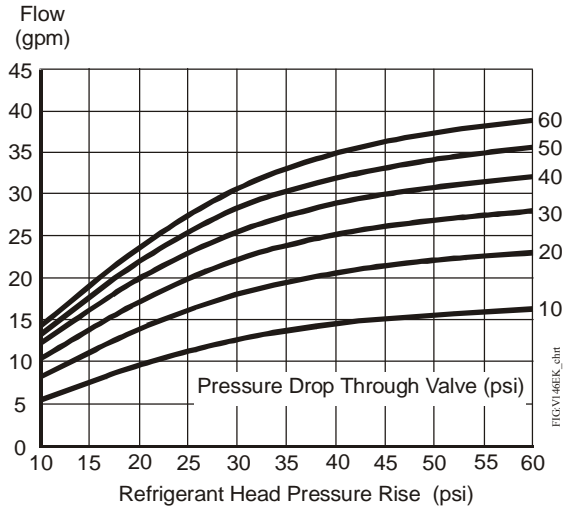
Available Water Pressure

4. Select the proper valve size from the flowcharts by locating a point on a chart that satisfies the flow, the head pressure rise above opening point, and the pressure drop across the valve.

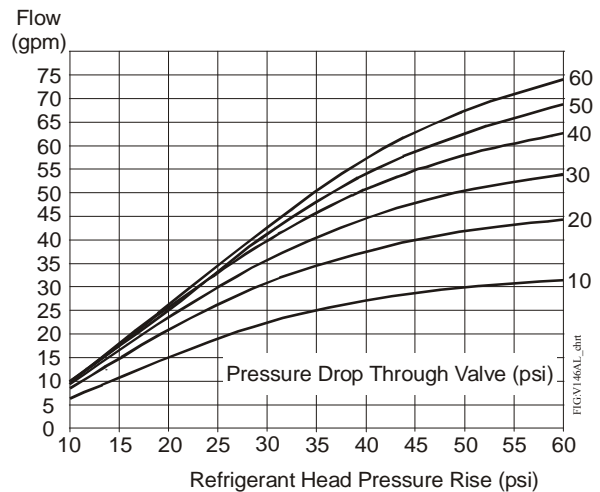
Use these equations to convert between U.S. and S.I. units.

- 1 dm³/s = 3.6 m³/h = 15.9 U.S. gal. /min. = 13.2 U.K. gal. /min.
- 1 bar = 100 kPa = 0.1 MPa = 1.02 kg/cm² = 0.987 atm = 14.5 psi

The maximum recommended differential water pressure across a valve is 60 psi (4.1 bar).



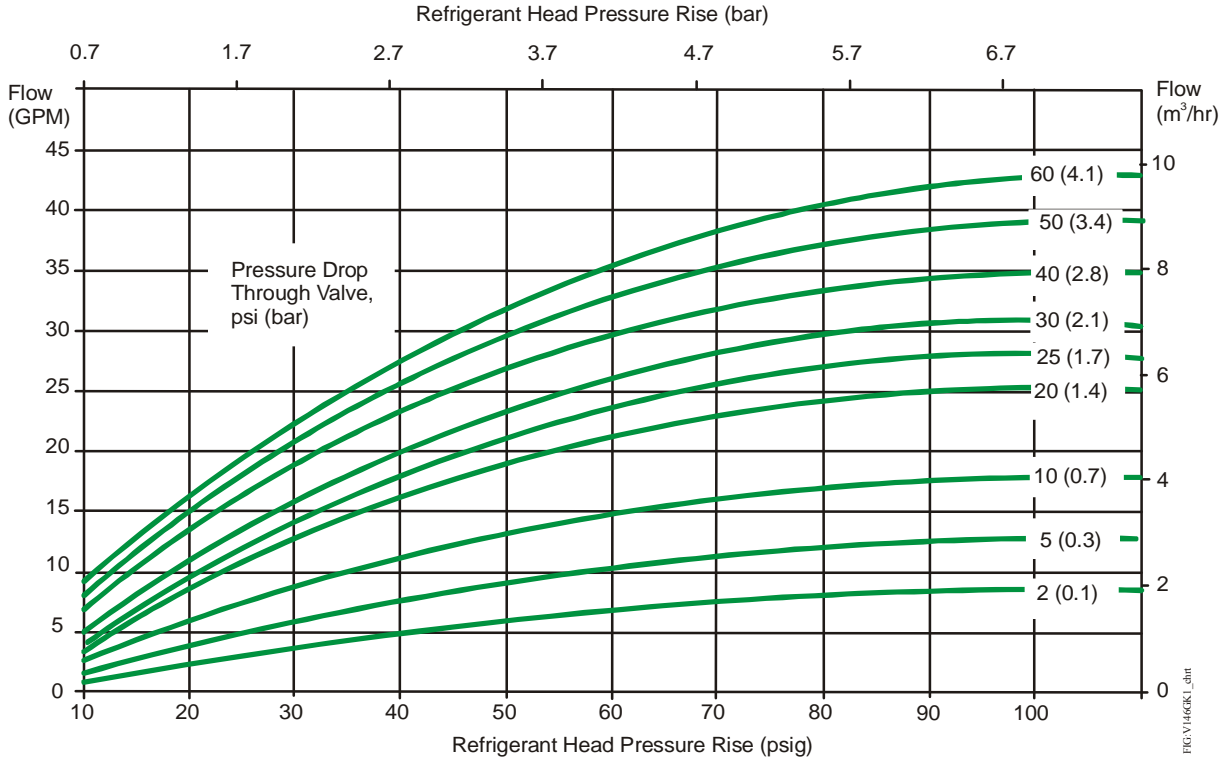
3/4 in. V146EK Valve



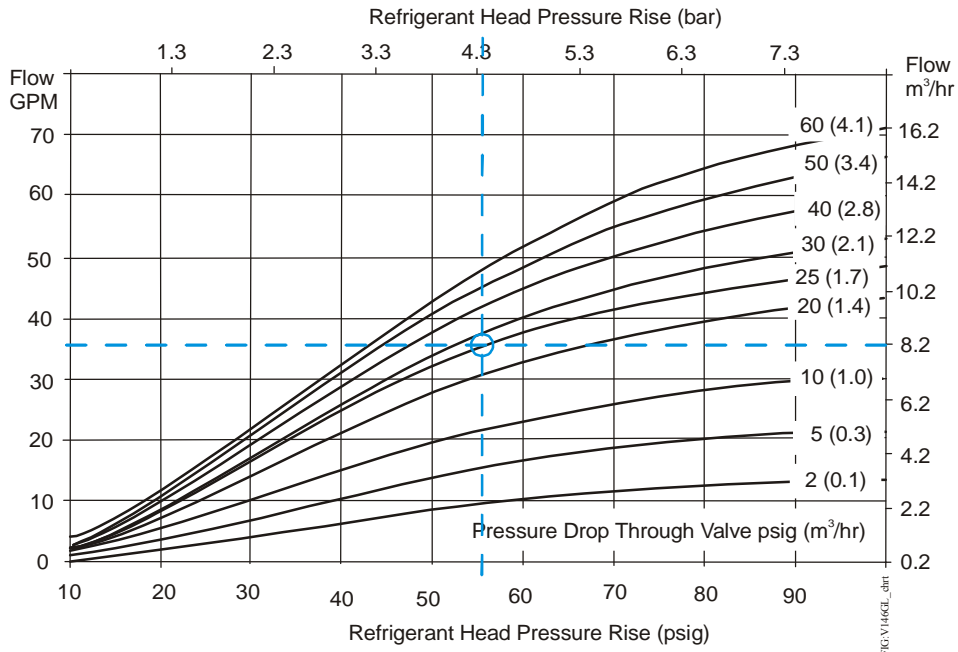
1 in. V146AL Valve



**V146 Series Two-Way Pressure-Actuated Water-Regulating Valves
(Continued)**



High Refrigerant Pressure 3/4 in. V146GK1 Valves



High Refrigerant Pressure 1 in. V146GL1 Valves

The performance specifications are nominal and conform to acceptable industry standards. For applications at conditions beyond these specifications, consult th Johnson Controls, Inc. shall not be liable for damages resulting from misapplication or misuse of its products. © 2015 Johnson Controls, Inc.



**V146 Series Two-Way Pressure-Actuated Water-Regulating Valves
(Continued)**

Style 5



1/4-in. SAE External Flare Connector

Style 46



Copper Capillary with
1/4-in. SAE Internal Flare Connector
(Includes Valve Stem Depressor)

11G.valve_ctr_0401

Pressure Connection Styles

Selection Chart

Product Code Number	Nominal Valve Size	Inlet and Outlet Ports	Pressure Connection Style	Shipping Weight, lb (kg)
V146EK-1C	3/4 in.	Union (Sweat)	46	4.3 (2.0)
V146GK1-001C	3/4 in.	Union (Sweat)	5	4.3 (2.0)
V146AL-1C	1 in.	Union (Sweat)	46	9.3 (4.0)
V146GL1-001C	1 in.	Union (Sweat)	5	9.3 (4.0)

Repair Information

If the V146 Series Two-Way Pressure-Actuated Water-Regulating Valve fails to operate within its specifications, refer to the *V146 Series Two-Way Pressure-Actuated Water-Regulating Valves Product Bulletin (LIT-1201709)* for a list of repair parts available.

Technical Specifications

V146 Series 2-Way Pressure-Actuated Water-Regulating Valves	
Maximum Refrigerant Pressure	V146EK: 370 psi (25.5 bar) V146AL: 320 psi (22.1 bar)
Maximum Working Pressure	V146GK1, V146GL1: 630 psi (43.4 bar)
Opening Point Adjustment Range	V146EK, V146AL: 70 to 260 psi (4.8 to 17.9 bar) V146GK1, V146GL1: 200 to 400 psi (13.8 to 27.6 bar)
Factory-Set Opening Point	V146EK, V146AL: 165 psi (11.4 bar) V146GK1, V146GL1: 275 psi (19.0 bar)
Media	350 psi (24.1 bar) maximum, -4°F to 170°F (-20°C to 77°C) glycol/water or liquids with low freezing points that are compatible with valve materials

The performance specifications are nominal and conform to acceptable industry standards. For applications at conditions beyond these specifications, consult the Johnson Controls, Inc. shall not be liable for damages resulting from misapplication or misuse of its products. © 2015 Johnson Controls, Inc.