



USAD9201
BLFD9201



THE BOSTON VALVE Co.

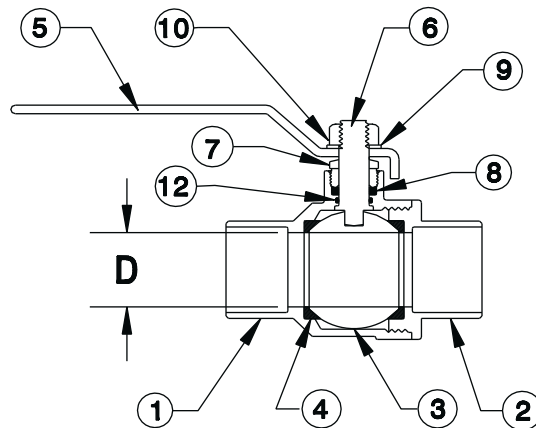
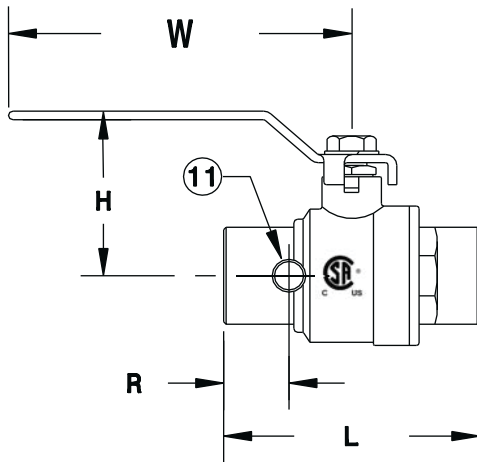
A DIVISION OF BOSTON METAL PRODUCTS, LTD.
25 THURBER BLVD., UNIT #3
SMITHFIELD, RI 02917

TOLL FREE: 1-800-839-0013, TEL: 401-231-8537
FAX: 401-231-8491
WWW.BOSTONVALVE.COM

USAD9201 & BLFD9201 SERIES

DRAINABLE BALL VALVE

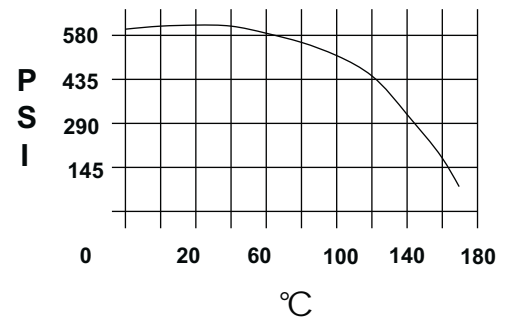
A Stop and Waste design, 600 WOG /150 WSP rated, two piece, full port, forged brass valve with solder joint end connections. Valve conforms to WW-V-35, type II, style 2.



DIMENSIONS

CAT. NO.	CAT. NO.	SIZE	L	D	H	R	W
USAD0509201	BLFD0509201	1/2"	2.36	.59	1.49	.61	3.65
USAD0759201	BLFD0759201	3/4"	2.89	.75	1.88	.85	4.65
USAD1009201	BLFD1009201	1"	3.46	1.00	2.10	1.0	4.65

PRESS. VS. TEMP. CURVE



MATERIALS

NO.	PART NAME	USBD SERIES MATERIALS	BLFD SERIES MATERIALS
12	O-RING	BUNA-N	BUNA-N
11	DRAIN CAP	BRASS	BRASS / BUNA-N
10	NUT	ZINC PLATED STEEL	STAINLESS STEEL
9	LOCK WASHER	ZINC PLATED STEEL	NYLON
8	STEM PACKING	PTFE	PTFE
7	GLAND NUT	BRASS	BRASS
6	STEM	BRASS	BRASS
5	HANDLE	ZINC PLATED STEEL, PLASTICOATED	ZINC PLATED STEEL, PLASTICOATED
4	SEAT	PTFE	PTFE
3	BALL	BRASS, HARD CHROME PLTD.	304 STAINLESS STEEL
2	END CAP	BRASS	BRASS C46400
1	BODY	BRASS	BRASS C46400