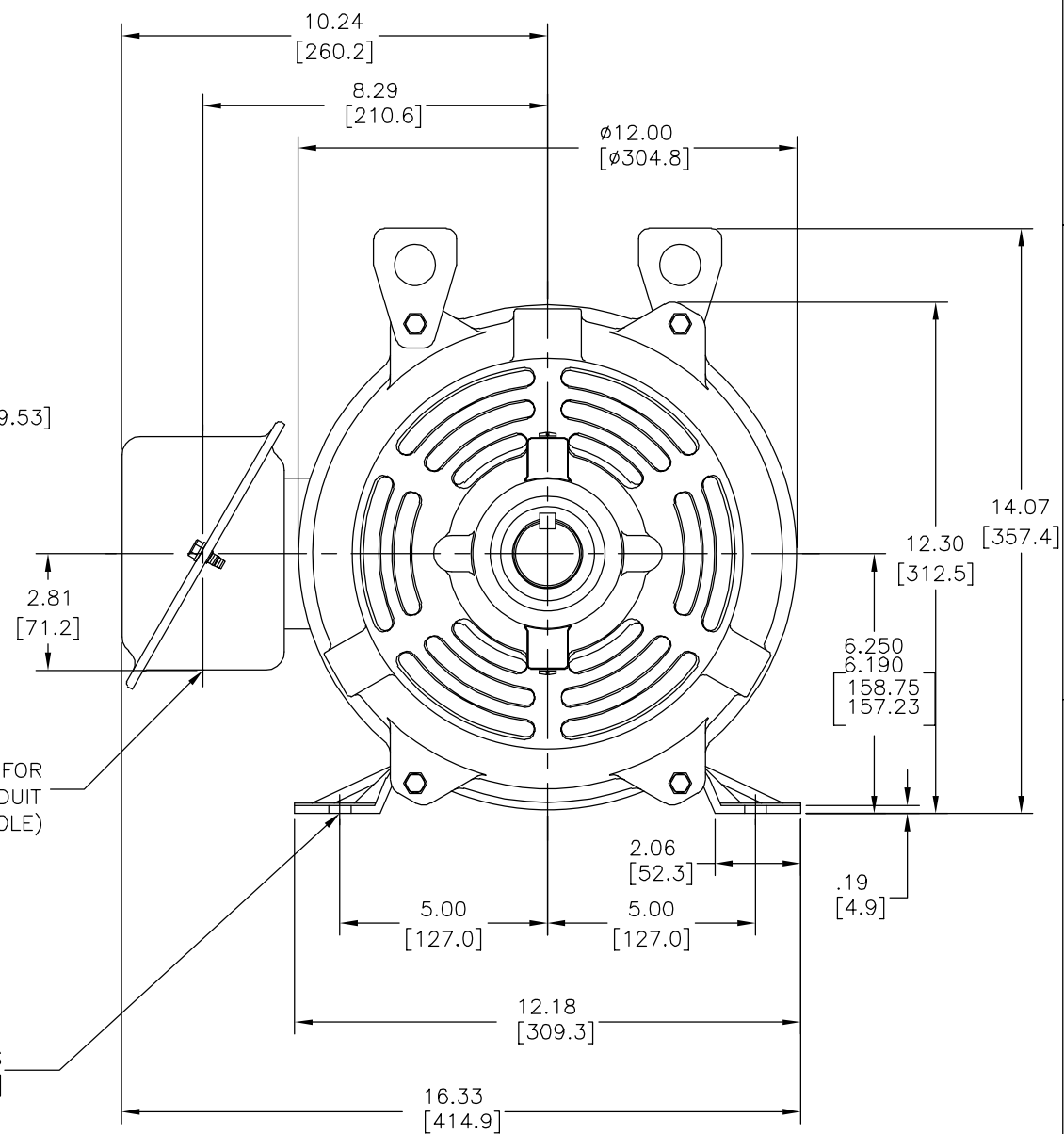
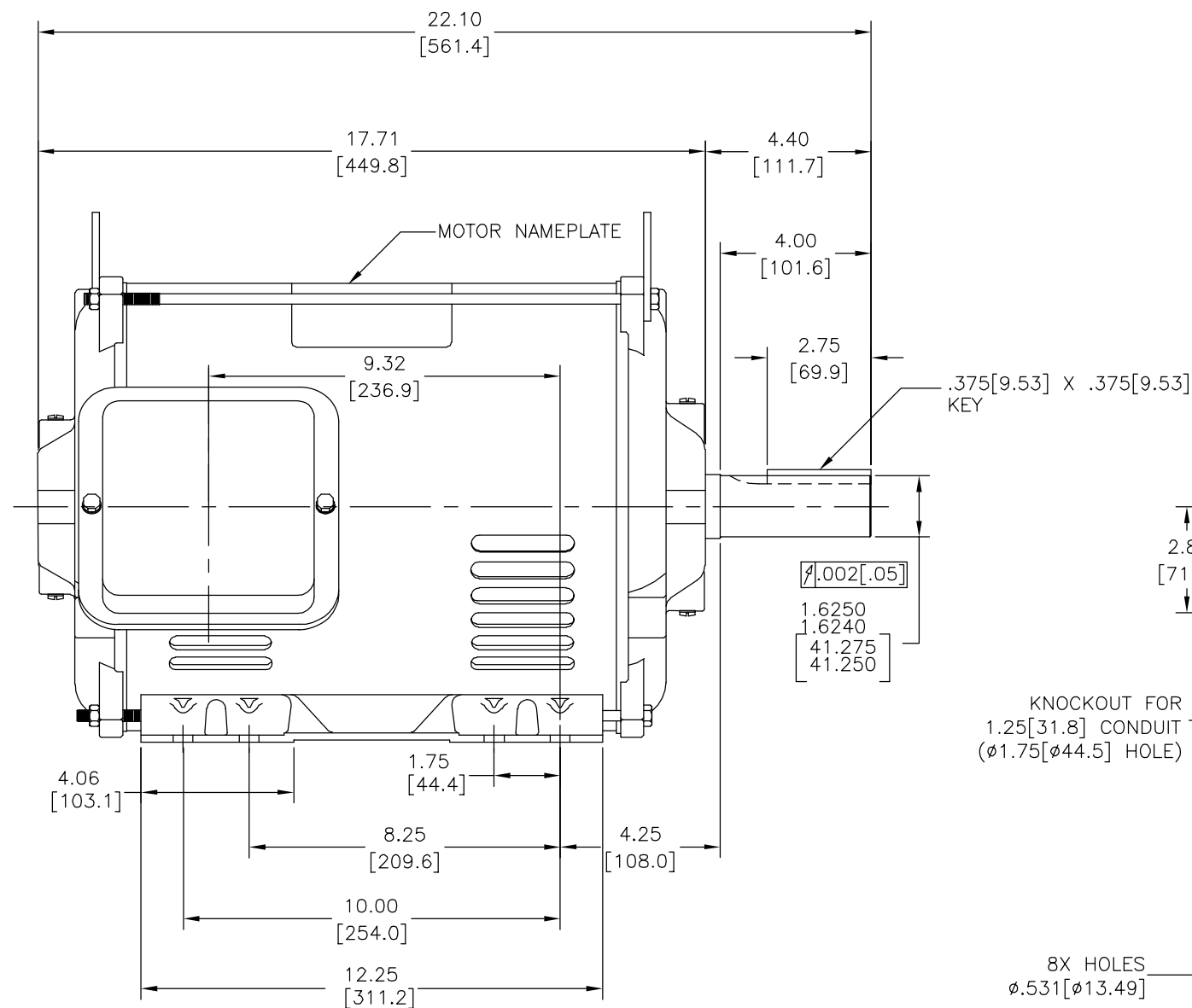


REV	ECO	REV BY	DATE	APPD	DATE
A	ECO-0028876	I.LOPEZ	10-16-2012	H.SANCHEZ	10-16-2012



- NOTES:
1. CONDUIT BOX MAY BE ROTATED IN 90° INCREMENTS.
 2. MOTOR IS SUITABLE FOR FIELD CONVERSION FROM AN F1 TO AN F2 CONDUIT BOX LOCATION.
 3. MOTOR VENTILATION: AIR INTAKE THROUGH OPENINGS IN THE FACE OF EACH BRACKET AND EXHAUSTED THROUGH THE VENT SLOTS ON EACH END OF THE SHELL.

MOTOR DESCRIPTION:
 3 PHASE OPEN DRIPPROOF STEEL SHELL 254T OR 256T MOUNTING.
 OTHER MOUNTING ORIENTATIONS ARE ACCEPTABLE; HOWEVER WHEN MOUNTED OTHER THAN HORIZONTAL; MOTOR WILL NOT BE DRIPPROOF AS DEFINED BY NEMA.

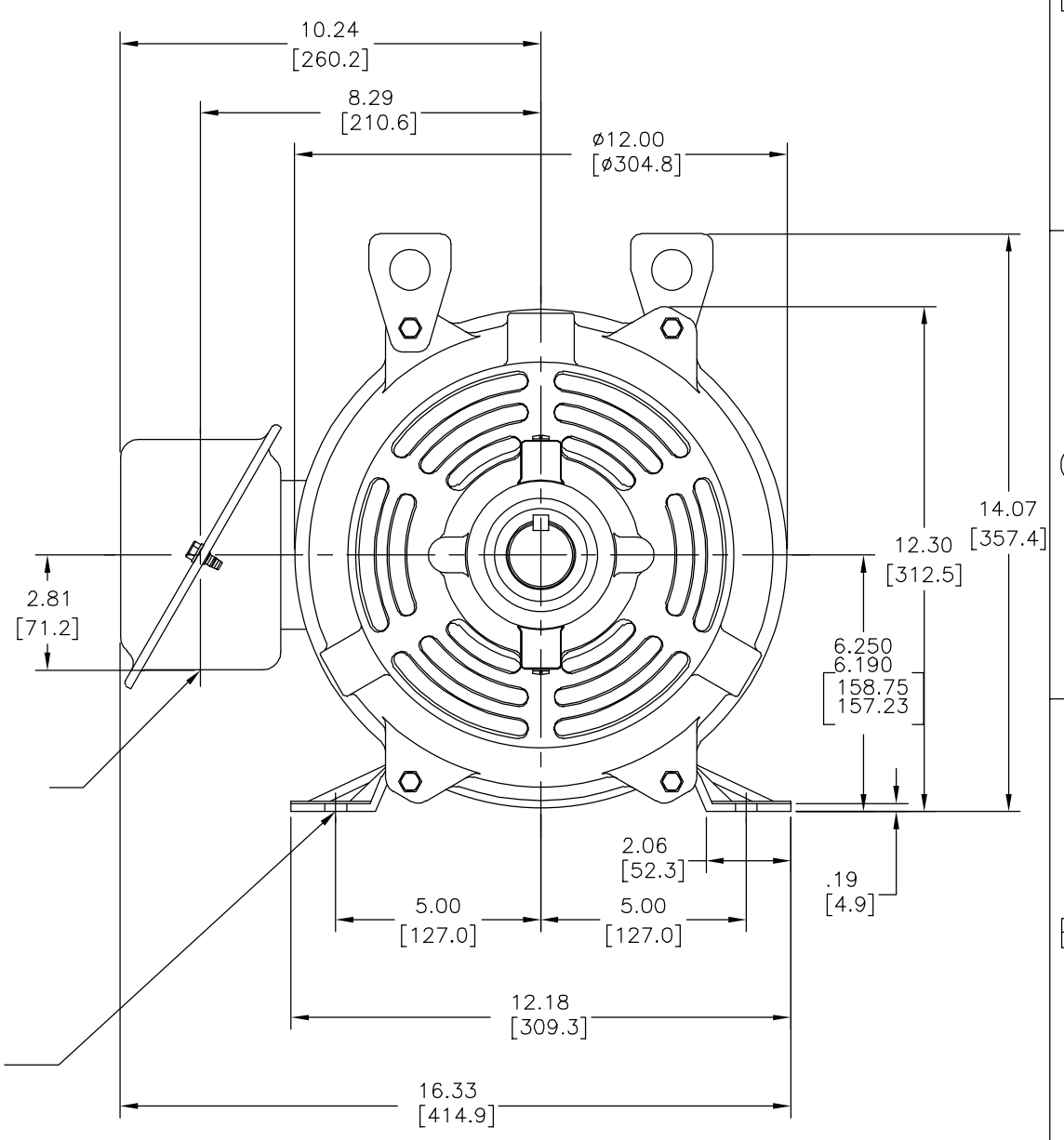
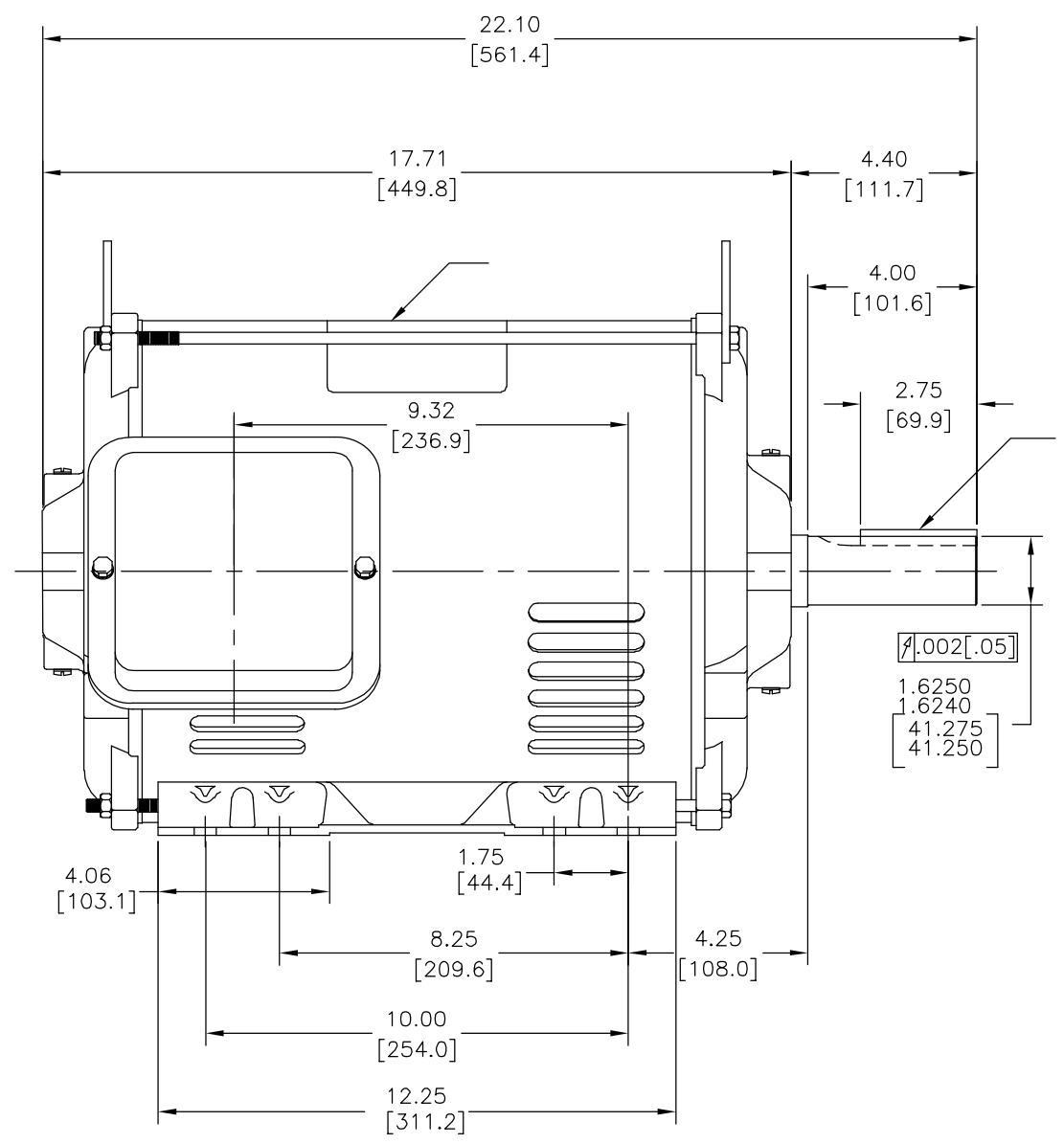
GEOMETRIC CHARACTERISTICS & SYMBOLS	
\square FLATNESS	UNLESS OTHERWISE SPECIFIED DIM. TOLERANCES ARE AS FOLLOWS:
- STRAIGHTNESS	INCH X XX XXX XXXX
\sphericalangle ANGULARITY	INCH $\pm .1$ $\pm .02$ $\pm .005$ $\pm .0005$
\perp PERPENDICULARITY (SQUARENESS)	mm ± 0.5 ± 0.13 ± 0.013
\parallel PARALLELISM	ANG. ± 50 DEG
\bigcirc ROUNDNESS (CIRCULARITY)	REMOVE BURRS & BREAK SHARP EDGES:
\oslash CYLINDRICITY	INCH .003-.015 mm 0.1-0.4
\triangle PROFILE OF ANY SURFACE	CORNER FILLETS TO:
\sim PROFILE OF ANY LINE	INCH .020 mm 0.5
\curvearrowright RUNOUT	MACHINE SURFACES:
\oplus TRUE POSITION	INCH $\frac{125}{\sqrt{\quad}}$ mm $\frac{3.2}{\sqrt{\quad}}$
\odot CONCENTRICITY	METRIC DIMS. SHOWN IN [BRACKETS]
\equiv SYMMETRY	ASME Y14.5M 1994

DR BY:	I.LOPEZ	10-16-2012
APPD:	D.JAMORA	10-16-2012
THIRD ANGLE PROJECTION		EDS DATE 11-11-2011 FORMAT REV G
CONFIDENTIAL: THIS DRAWING AND ITS INFORMATION ARE THE EXCLUSIVE AND CONFIDENTIAL PROPERTY OF REGAL-BELOIT CORPORATION AND ARE NOT TO BE DISCLOSED, DUPLICATED, DISTRIBUTED OR OTHERWISE USED WITHOUT THE WRITTEN CONSENT OF REGAL-BELOIT CORPORATION. -ALL RIGHTS RESERVED.		

DESCRIPTION	
MODEL-IHP OUTLINE	
SIZE	DWG NO
C	E407M2
SCALE	SHEET
NONE	1

DR BY:	I.LOPEZ	10-16-2012
APPD:	D.JAMORA	10-16-2012
THIRD ANGLE PROJECTION		EDS DATE 11-11-2011 FORMAT REV G
CONFIDENTIAL: THIS DRAWING AND ITS INFORMATION ARE THE EXCLUSIVE AND CONFIDENTIAL PROPERTY OF REGAL-BELOIT CORPORATION AND ARE NOT TO BE DISCLOSED, DUPLICATED, DISTRIBUTED OR OTHERWISE USED WITHOUT THE WRITTEN CONSENT OF REGAL-BELOIT CORPORATION. -ALL RIGHTS RESERVED.		

REVISION:	ECO	REVISADO POR:	FECHA:	APROBADO POR:	FECHA:
A	ECO-0028876	I.LOPEZ	10-16-2012	H.SANCHEZ	10-16-2012



CARACTERISTICAS DE GEOMETRIA Y SIMBOLOS

- ▮ PLANICIDAD
- RECTITUD
- ∠ ANGULARIDAD
- ⊥ PERPENDICULARIDAD (A ESCUADRA)
- // PARALELISMO
- REDONDEZ (CIRCULARIDAD)
- ⊘ CILINDRICIDAD
- △ PERFIL DE CUALQUIER SUPERFICIE
- ∧ PERFIL DE CUALQUIER LINEA
- ∩ VARIACION
- ⊕ POSICION REAL
- ◎ CONCENTRICIDAD
- ≡ SIMETRIA

ASME Y14.5M 1994

A MENOS QUE SE ESPECIFIQUE DE OTRA MANERA, LAS TOLERANCIAS DE LAS DIMS; SON LAS SIGUIENTES:

	X	XX	XXX	XXXX
PULG	±.1	±.02	±.005	±.0005
mm	±0.5	±0.13	±0.013	

ANG. ±.50 GRADOS
ELIMINAR REBABAS Y ORILLAS FILOSAS DEL BORDE.

	PULG	.003-.015	mm	0.1-0.4
--	------	-----------	----	---------

FILETEAR ESQUINA: PULG .020 mm 0.5
MAQUINAR SUPERFICIES
PULG 125 mm 3.2

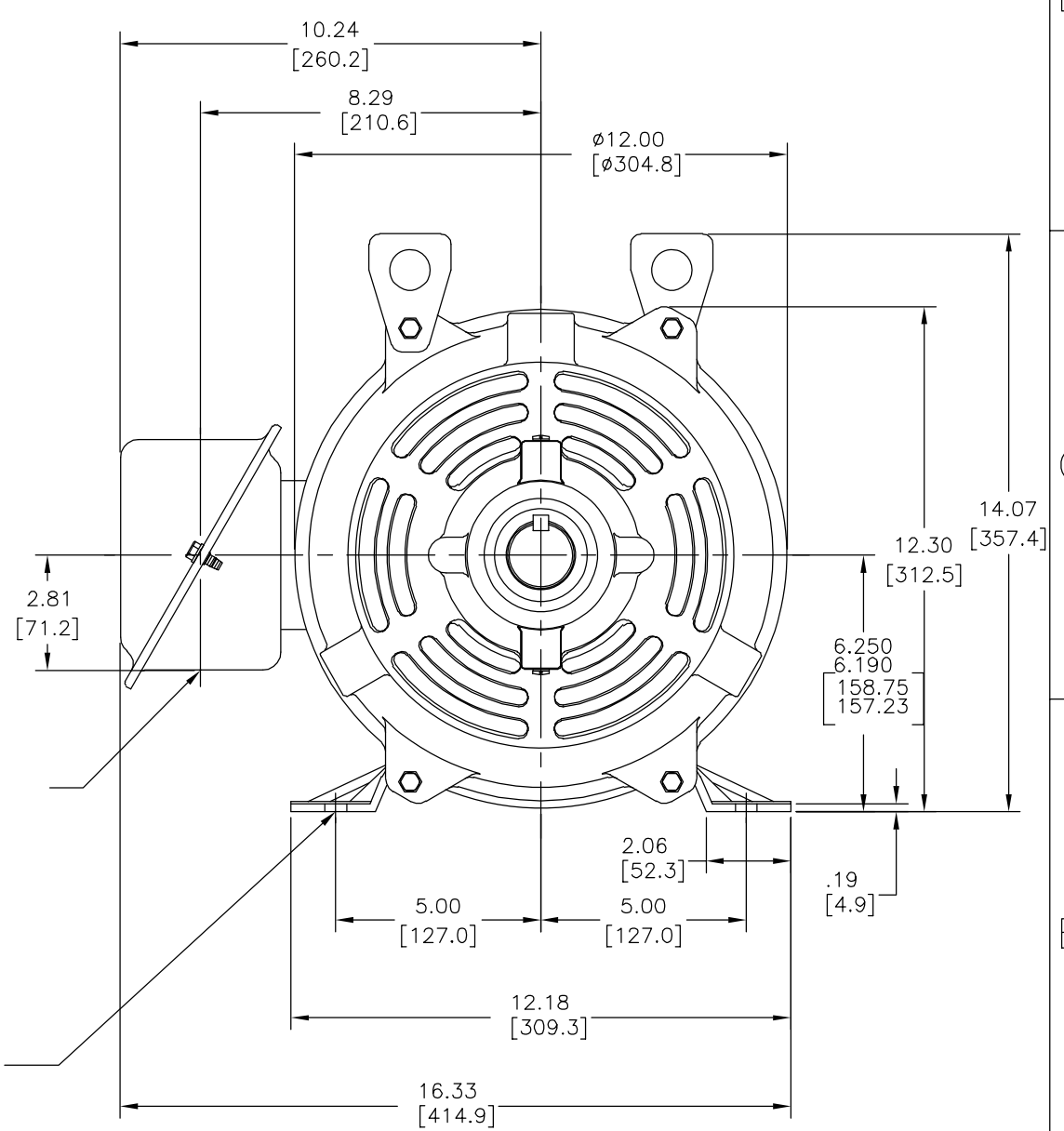
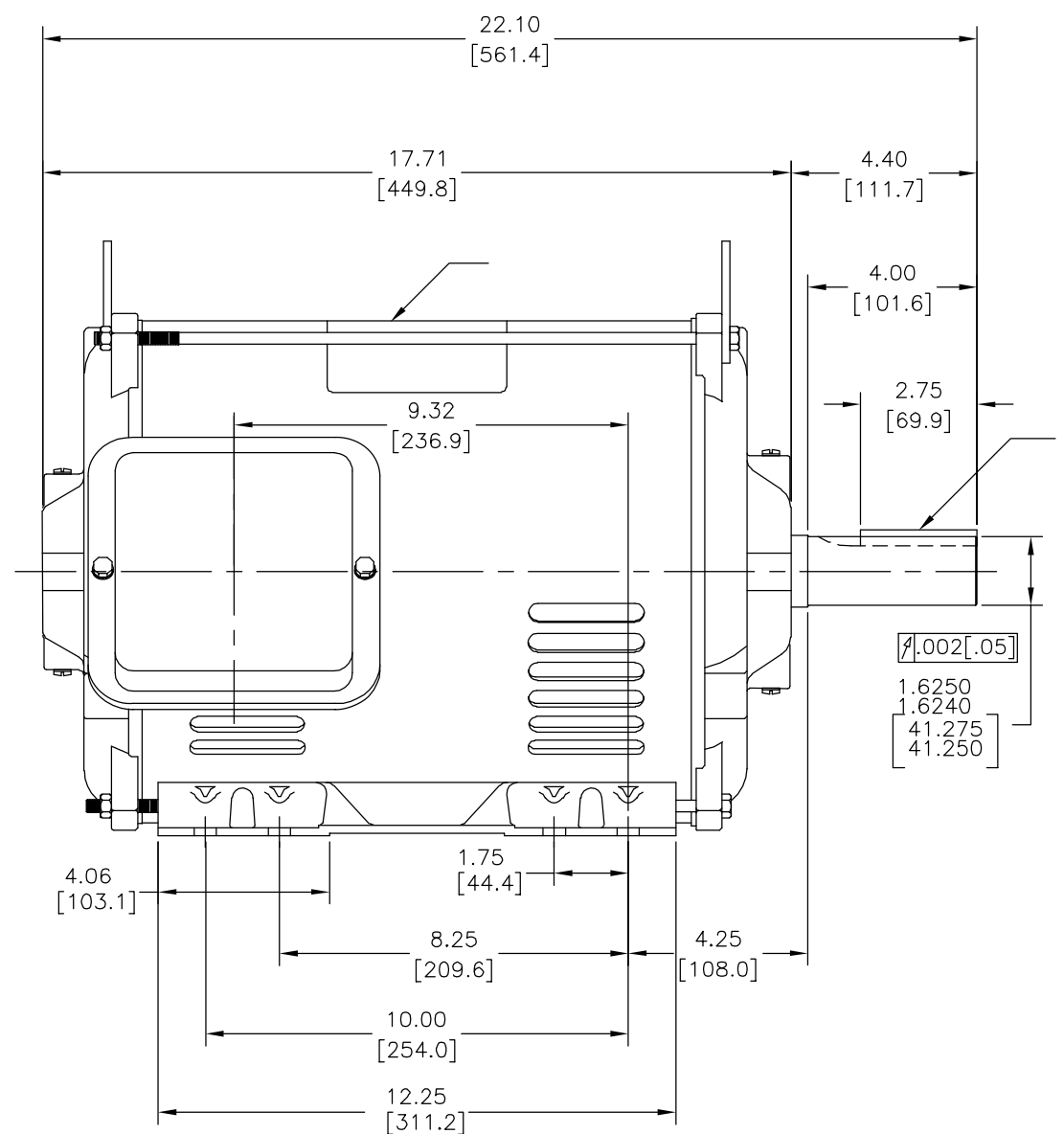
DIMS METRICAS MOSTRADAS [PARENTESIS]

DIBUJADO POR:	I.LOPEZ	10-16-2012
APROBADO POR:	D.JAMORA	10-16-2012
TERCER ANGULO DE PROYECCION	⊕	FECHA EDS: 11-11-2011 REV. FORMATO: G

CONFIDENCIAL: ESTE DIBUJO Y SU INFORMACION SON PROPIEDAD DE USO EXCLUSIVO Y CONFIDENCIAL DE REGAL-BELOIT CORPORATION. Y NO DEBERAN SER REVELADOS, DUPLICADOS, DISTRIBUIDOS O USARSE DE OTRA MANERA SIN EL CONSENTIMIENTO ESCRITO DE REGAL-BELOIT CORPORATION. -TODOS LOS DERECHOS RESERVADOS.

DESCRIPCION: MODEL-IHP OUTLINE	
TAMAÑO: C	NUMERO DE DIBUJO: E407M2
ESCALA: NONE	HOJA: 1

版本	ECO	编制	日期	批准	日期
A	ECO-0028876	I.LOPEZ	10-16-2012	H.SANCHEZ	10-16-2012



形位公差	除另有注明
□ 平面度	尺寸公差如下:
— 直线度	英寸 X XX XXX XXXX
∠ 倾斜度	英寸 ±.1 ±.02 ±.005 ±.0005
⊥ 垂直度	毫米 ±0.5 ±0.13 ±0.013
// 平行度	角度 ±.50 度
○ 圆度	清理毛刺和尖棱
⊘ 圆柱度	英寸 .003-.015 毫米 0.1-0.4
△ 面轮廓度	内圆角
∧ 线轮廓度	英寸 .020 毫米 0.5
⌒ 圆跳动	表面粗糙度
⊕ 位置度	英制 125 米制 3.2
◎ 同轴度	米制尺寸显示在L

ASME Y14.5M 1994

绘图:	I.LOPEZ	10-16-2012
批准:	D.JAMORA	10-16-2012
第三角投影		图纸格式发布日期 11-11-2011 图纸格式版本 G
机密: 本图纸及相关信息所有权归REGAL-BELOIT CORPORATION 未经REGAL-BELOIT CORPORATION书面授权, 不得泄露、 复制、传播或作其他用途。—版权所有		

名称 MODEL-IHP OUTLINE	
图幅 C	图号 E407M2
比例 NONE	页号 1