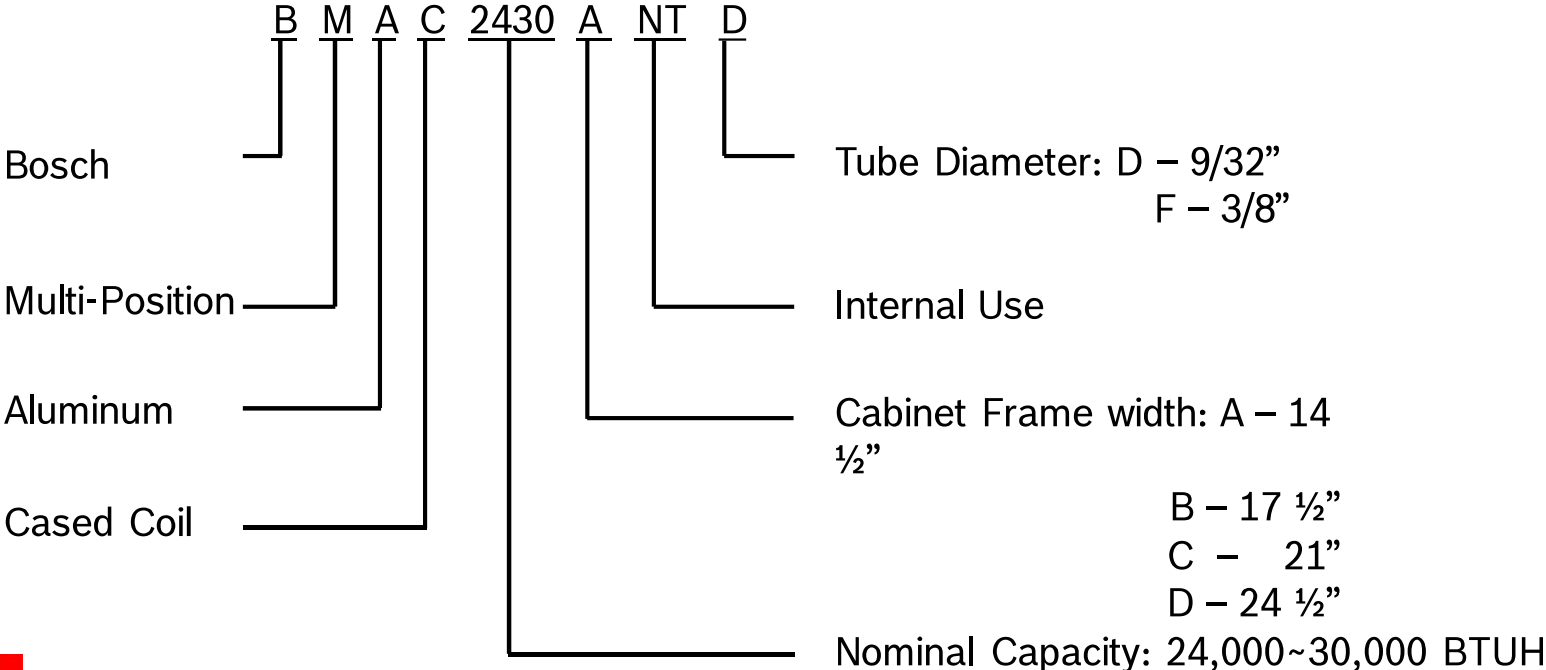


Multi-position Cased Coils Cooling and Heat Pump Compatible Initial Product Information

Nomenclature:



Multi-position Cased Coils Cooling and Heat Pump Compatible Initial Product Information

Performance Data:

IDU ODU Model No.	Cased Coil Model No.	CFM	Orifice size & TXV part number	Cooling Capacity (BTUH) 95°F High	EER 95°F	SEER	Superheat 95°F-TXV	Subcooling 95°F-TXV	High Heat (BTUH) 47°F	HSPF	Used With Furnaces Flush on Both Sides
BOVA-36HN1-M18M	BMAC2430ANTD	700	TXV	23,400	11.5	15.0	8.0	8.0	25000	9.0	14-1/2" Wide Furnaces
	BMAC2430BNTD	700	TXV	23,400	11.5	15.0	8.1	9.5	25000	9.0	17-1/2" Wide Furnaces
	BMAC2430CNTD	700	TXV	23,400	11.5	15.0	9.0	9.3	25000	9.0	21" Wide Furnaces
BOVA-36HN1-M18M	BMAC3036ANTD	900	TXV	32,000	10.0	14.5	9.8	10.5	35000	9.0	14-1/2" Wide Furnaces
	BMAC3036BNTD	1000	TXV	32,400	10.0	14.5	9.4	11.0	35000	9.0	17-1/2" Wide Furnaces
	BMAC3036CNTD	1000	TXV	32,400	10.0	14.5	8.0	9.0	35000	9.0	21" Wide Furnaces
BOVA-60HN1-M18M	BMAC4248BNTF	1150	TXV	44,500	11.0	16	8.4	8.4	45500	9.5	17-1/2" Wide Furnaces
	BMAC4248CNTF	1300	TXV	46,000	11.0	16	9.1	9.8	47000	9.5	21" Wide Furnaces
	BMAC4248DNTF	1400	TXV	46,500	11.0	16	8.5	9.2	48000	9.5	24-1/2" Wide Furnaces
BOVA-60HN1-M18M	BMAC4860CNTF	1300	TXV	54,000	10.5	16	9.0	8.6	55500	9.5	21" Wide Furnaces
	BMAC4860DNTF	1500	TXV	55,000	10.5	16	9.0	8.6	56000	9.5	24-1/2" Wide Furnaces



Multi-position Cased Coils Cooling and Heat Pump Compatible Initial Product Information

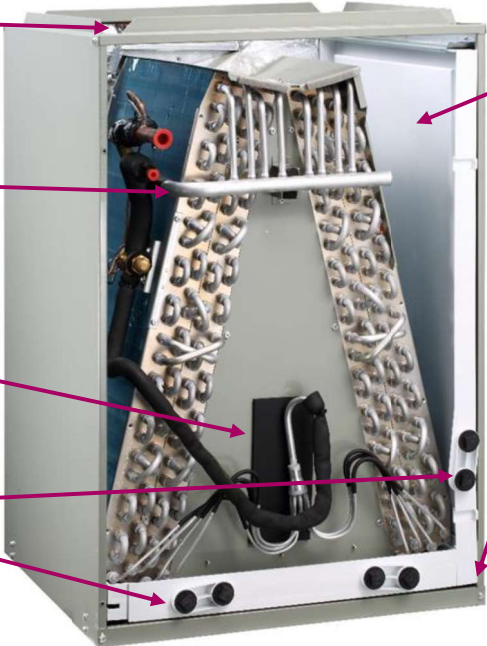
Product Features:

Foil-faced insulation for easy cleaning

Formicary corrosion-resistant all Aluminum coil for longevity

Factory installed TXV

Vertical, downflow, and horizontal application



UVC-tested plastic drain pan reduces mold, bacteria and airborne pollutants

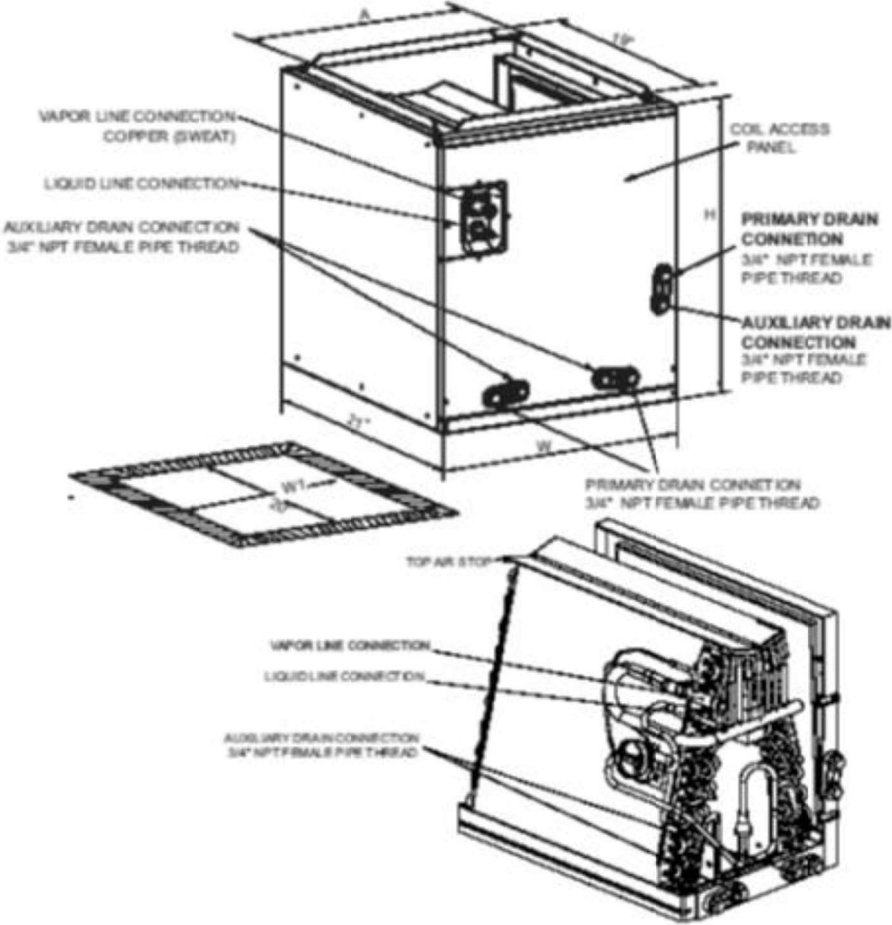
Slide-out coil offers easy maintenance, And can also be converted for uncased coil application

10-year parts limited warranty



Multi-position Cased Coils Cooling and Heat Pump Compatible Initial Product Information

Physical Data:



Multi-position Cased Coils Cooling and Heat Pump Compatible Initial Product Information

Physical Data (1):

Model Number			BMAC2430ANTD	BMAC2430BNTD	BMAC2430CNTD	BMAC3036ANTD	BMAC3036BNTD	BMAC3036CNTD
Al. coil heat exchanger	Number of rows-F.P.I.		4-17	4-17	4-17	4-17	4-17	4-17
	Fin type (code)		hydrophilic aluminum					
	Tube size	in. (mm)	9/32(7)	9/32(7)	9/32(7)	9/32(7)	9/32(7)	9/32(7)
Cased Coil Unit	Unit Dimension (W*H*D)	in.	14-1/2×20×21	17-1/2×20×21	21×20×21	14-1/2×20×21	17-1/2×20×21	21×20×21
		mm	368×508×553	445×508×553	553×508×553	368×508×553	445×508×553	553×508×553
	Packaged dimension	in.	17-3/4×22-5/8×25	20-5/8×22-5/8×25	24-1/8×22-5/8×25	17-3/4×22-5/8×25	20-5/8×22-5/8×25	24-1/8×22-5/8×25
		mm	449×574×634	524×574×634	614×574×634	449×574×634	524×574×634	614×574×634
	Net/Gross weight	lb	40/47	43/50	46/55	40/47	43/50	46/55
kg		18.2/21.5	19.4/22.9	21.1/25.1	18.2/21.5	19.4/22.9	21.1/25.1	
Drainage pipe outside diameter	in.	RC3/4	RC3/4	RC3/4	RC3/4	RC3/4	RC3/4	
Air Supply duct size ("A" x 19")	inch	13×19	16×19	19-1/2×19	13×19	16×19	19-1/2×19	
Air Return duct size ("W1" x 20")	inch	13 ½" x 20"	16 ½" x 20"	20" x 20"	13 ½" x 20"	16 ½" x 20"	20" x 20"	
Refrigerant		R-410A	R-410A	R-410A	R-410A	R-410A	R-410A	
Liquid side/ Gas side	in.	3/8 3/4	3/8 3/4	3/8 3/4	3/8 3/4	3/8 3/4	3/8 3/4	
Shipping per STD40HQ		438	380	310	438	380	310	



Multi-position Cased Coils Cooling and Heat Pump Compatible Initial Product Information

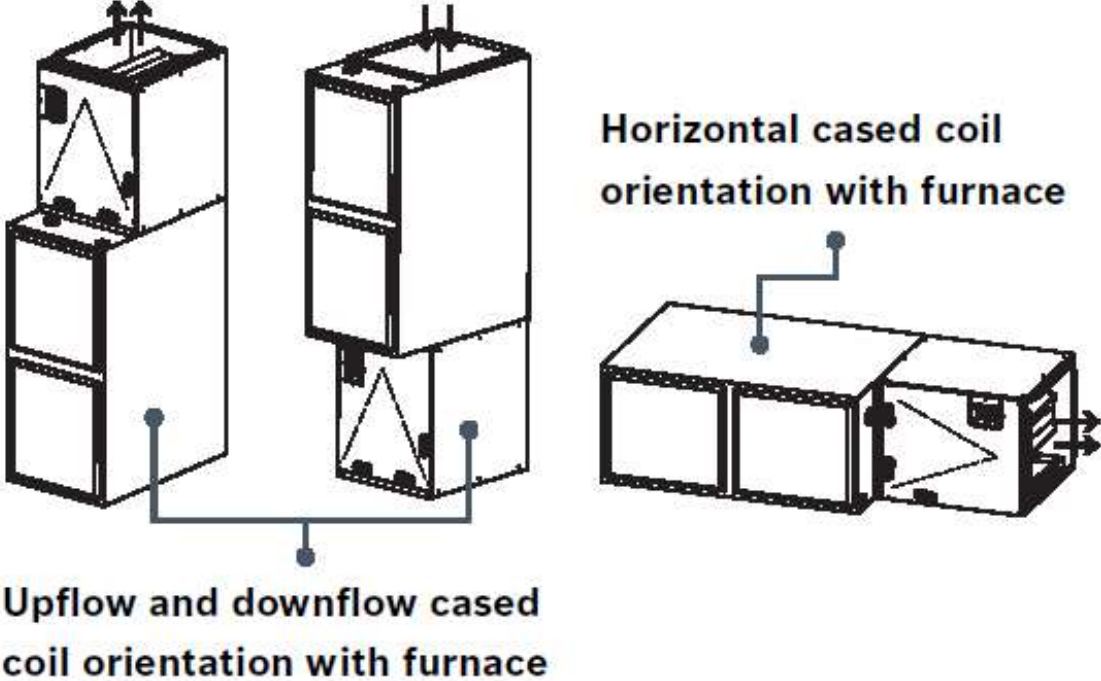
Physical Data (2):

Model Number			BMAC4248BNTF	BMAC4248CNTF	BMAC4248DNTF	BMAC4860CNTF	BMAC4860DNTF
Al. coil heat exchanger	Number of rows-F.P.I.		3-14	3-14	3-14	4-14	4-14
	Fin type (code)		hydrophilic aluminum				
	Tube size	in.(mm)	3/8(9.52)	3/8(9.52)	3/8(9.52)	3/8(9.52)	3/8(9.52)
Cased Coil Unit	Unit Dimension (W*H*D)	in.	17-1/2×30×21	21×30×21	24-1/2×30×21	21×30×21	24-1/2×30×21
		mm	445×762×553	553×762×553	622×762×553	553×762×553	622×762×553
	Packaged dimension	in.	20-5/8×32-7/8×24-2/5	24×32-7/8×24-2/5	27-1/2×32-7/8×24-2/5	24×32-7/8×24-2/5	27-1/2×32-7/8×24-2/5
		mm	524×835×598	610×835×598	700×835×598	610×835×598	700×835×598
	Net/Gross weight	lb	69/76	73/81	77/85	76/85	80/89
kg		31.2/34.5	33.3/37	34.8/38.8	34.6/38.7	36.5/40.5	
Drainage pipe outside diameter		in.	RC3/4	RC3/4	RC3/4	RC3/4	RC3/4
Air Supply duct size ("A" x 19")		inch	16×19	19-1/2×19	23×19	19-1/2×19	23×19
Air Return duct size ("W1" x 20")		inch	16 1/2" x 20"	20" x 20"	24 1/2" x 20"	20" x 20"	24 1/2" x 20"
Refrigerant			R-410A	R-410A	R-410A	R-410A	R-410A
Liquid side/ Gas side		in.	3/8 7/8	3/8 7/8	3/8 7/8	3/8 7/8	3/8 7/8
Shipping per STD40HQ			270	211	193	211	193



Multi-position Cased Coils Cooling and Heat Pump Compatible Initial Product Information

Applications (1)



Dual-fuel system, pair up with gas furnaces



Multi-position Cased Coils Cooling and Heat Pump Compatible Initial Product Information

Applications (2)

Bosch IDS outdoor condenser and cased coil paired with hydronic air handler and Greentherm 9000 tankless water heater

