

BOCK™

WATER HEATERS

1 Selling Oil-Fired Water Heaters

- Five-Year Limited Tank/Heat Exchanger Warranty
– Residential Installations
- Three-Year Limited Tank/Heat Exchanger Warranty
– Commercial Installations

- 104,000 to 623,000 BTU/hr
- 32 to 113 gallon capacities
- .64 UEF rating
- 125 gallons first hour delivery
- Glass-fused-to-steel water tank
- Dual magnesium anode rods to inhibit corrosion

Turboflue® High Performance Heat Exchanger:

- Patented helical-fin multi-stage design
- Superior heat conduction and fuel efficiency

Made in the USA

*The Popular **BOCK® 32E Leads**
The Industry in Energy Efficiency
With a **.64 UEF Rating** and
125 Gallons First Hour Delivery*

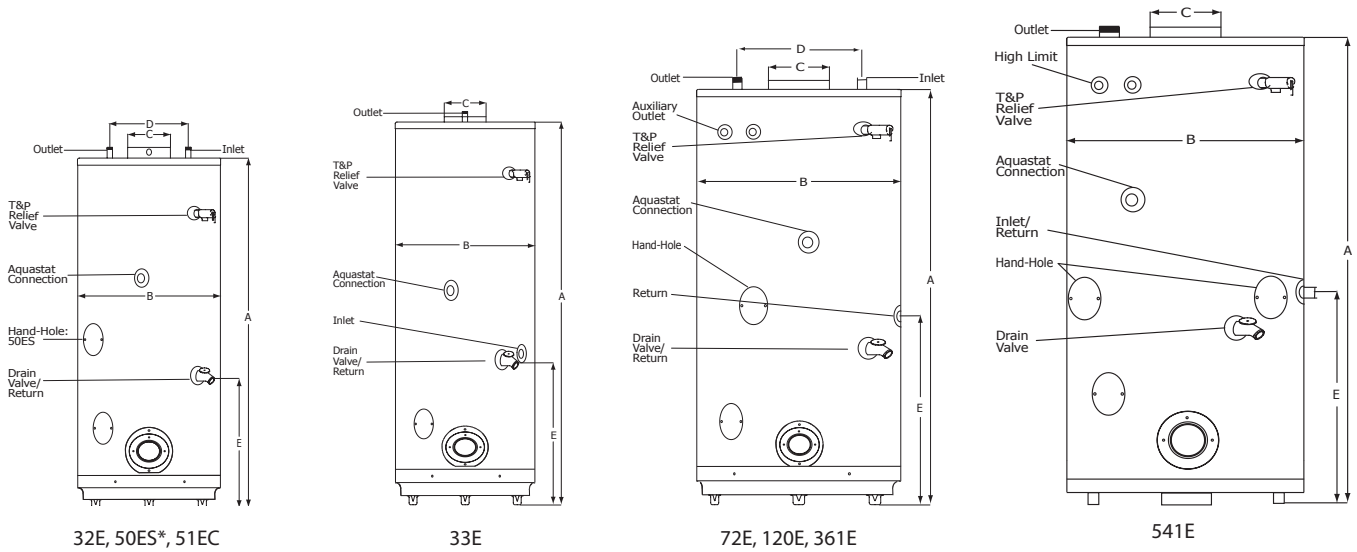


OIL-FIRED • WATER HEATERS •

BUILT LIKE A BOCK

BOCK OIL-FIRED WATER HEATERS

This product is available from:



*50ES does not include outlet nipple and has high limit tapping (for 180° controls)

Model	Storage GAL (L)	Rated Input BTU/HR (kW)	Recovery @ Δ 90°F (32° C) GAL/HR (L/HR)	Max. Temp Setting °F (°C)	Inlet Pipe Dia. NPT	Outlet Pipe Dia. NPT	Return Pipe Dia. NPT	Dimensions in Inches (cm)					Shipping Weight LBS (kg) ***	
								A	B	C	D	E	Standard	ASME
32E	32 (121.13)	104,000 (30.48)	114 (431.54)	160 (71.11)	.75	.75	.75	51.00 (129.5)	20.00 (50.8)	6.00 (15.24)	11.00 (27.9)	17.00 (43.18)	225 (102.06)	N/A
33E	33 (124.962)	104,000 (30.48)	111 (420.18)	160 (71.11)	1.00	.75	.75	43.25 (109.9)	24.00 (60.9)	6.00 (15.2)	N/A	17.25 (43.8)2	235 (106.59)	N/A
50ES*	50 (189.27)	140,100 (41.03)	151 (571.60)	160** (71.11)	1.00	1.50	1.50	52.00 (132.1)	26.00 (66.0)	6.00 (15.2)	13.50 (34.3)	18.50 (46.99)	305 (138.35)	N/A
51EC	50 (189.27)	152,000 (44.55)	161 (609.45)	(71.11)	1.00	1.00	.75	59.00 (149.9)	24.00 (60.9)	6.00 (15.2)	11.00 (27.9)	18.00 (45.72)	305 (138.35)	N/A
72E	67 (253.62)	199,000 (58.32)	212 (802.51)	160** (71.11)	1.50	1.50*	1.50*	58.00 (147.33)	28.00 (71.12)	8.00 (20.32)	16.00 (40.64)	N/A	520 (235.87)	N/A
120E	113 (427.75)	155,000 (44.55)	163 (617.02)	180 (82.22)	1.00	2.00	2.00	67.00 (170.2)	32.00 (81.28)	6.00 (15.2)	19.00 (48.3)	22.00 (55.88)	660 (299.37)	N/A
361E	91 (344.47)	415,000 (121.62)	443 (1,676.94)	180 (82.22)	1.00	2.00	2.00	67.00 (170.18)	32.00 (81.28)	9.00 (22.86)	23.00 (58.42)	26.00 (66.04)	1065 (483.08)	N/A
541E	83 (314.19)	623,000 (182.58)	648 (2,452.95)	180 (82.22)	2.00	2.00	2.00	66.00 (167.64)	34.00 (86.36)	10.00 (25.40)	N/A	30.50 (77.47)	1290 (585.13)	1310 (594.21)

NOTE: 32E First Hour Rating = 125 Gallons

*Nipple not included

**Optional setting, contact factory

***Weight does not include burner and controls



(on selected models)



T&P valve and brass drain valve factory installed

Standard Voltage (all): 120V, 60 Hz, 1P

Working Pressure: 150 psi (1034 kPa); Test Pressure: 300 psi (2068 kPa)

All Bock products meet or exceed current ASHRAE standards.

Warning: Do not install on combustible flooring. Installation should be in accordance with all national and/or local codes. In the absence of local codes, refer to NFPA 31.

Caution: The recommended maximum hot water temperature setting for normal residential use is 120°F. Bock recommends a tempering valve or anti-scald valve be installed and used according to the manufacturer's directions to prevent scalding.

www.bockwaterheaters.com

110 South Dickinson Street Madison, Wisconsin 53703

Toll Free 800-794-2491 • Phone 608-257-2225 • Fax 608-257-5304

Doc# 80014 Rev. 2/2020