

### FEATURES

- + Ships with MERV 16 Allergy & Asthma filter
- + Accepts Aprilaire Clean Air MERV 11, Healthy Home MERV 13 or Odor Reduction MERV 13 filter
- + Lowest resistance for MERV 16 filter on the market—12" w.c. @1200 CFM\*
- + Minimal maintenance required — simply replace filter every six months
- + Made of corrosion-resistant heavy-gauge painted steel
- + Proprietary door design and Self-Seal™ technology virtually eliminates air bypass, delivering MERV performance as rated
- + UL listed cabinets
- + UL classified MERV 16 filters
- + Load rated up to 400 lbs.
- + 5-year warranty on cabinet from date of installation

\* Model 516 filter

### BENEFITS

- + Removes 99% of allergy and asthma triggers from indoor air
- + Offers equipment protection from dust buildup
- + Assured equipment performance
- + Superior performance over one-inch panel filters and four-inch cartridge filters



### PRODUCT SPECIFICATIONS

		MERV 16						
	Nominal Size (In Inches)	Shipping Weight	Replacement Media	Resistance @ Airflow Volume (Inches w.c. @ CFM)	Shipping Weight (full carton)	Carton Quantity	Filtering Media Area	
Ships With	Model 2216	20 x 25	20 lbs.	Model 216	.06"@400 .17"@1000 .09"@600 .23"@1200 .13"@800 .29"@1400 .36"@1600	25.82 lbs.	6	47.8 sq. ft.
	Model 2416	16 x 25	19.25 lbs.	Model 416	.07"@400 .21"@1000 .11"@600 .28"@1200 .15"@800 .36"@1400	24.2 lbs.	6	42.3 sq. ft.
	Model 2516	31 x 28	24.9 lbs.	Model 516	.04"@400 .17"@1600 .05"@600 .21"@1800 .07"@800 .24"@2000 .10"@1000 .28"@2200 .12"@1200 .32"@2400 .15"@1400 .36"@2600	25.1 lbs.	4	75.6 sq. ft.

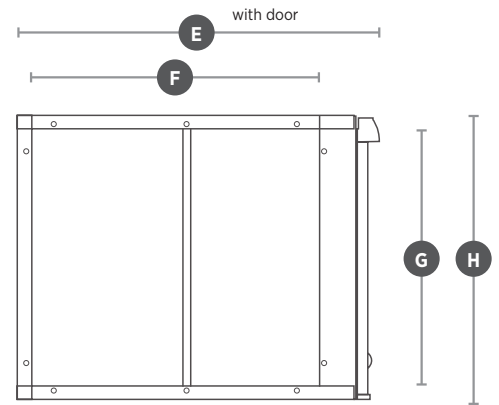
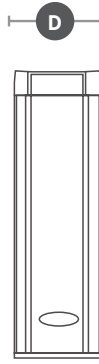
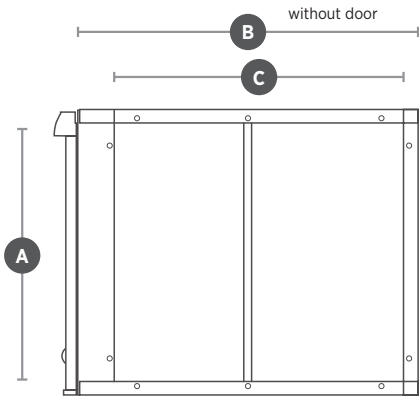
### REMOVAL EFFICIENCY (Based on Particle Size)

	0.3-1.0 Microns	1.0-3.0 Microns	3.0-10 Microns
<b>MERV 16</b>	95%	98%	99%

### Inlet Side Return Duct Connection

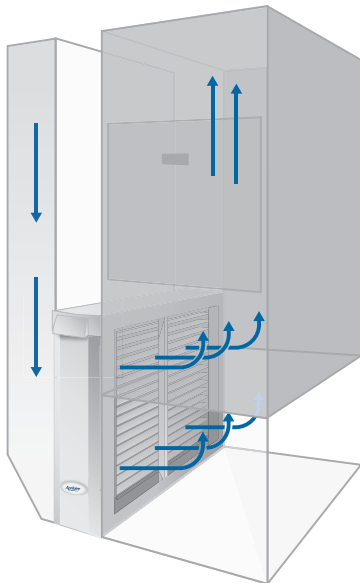
### Front

### Outlet Side Furnace Connection



Dim.	Description	Model		
		2216	2416	2516
<b>A</b>	Inlet Opening Height	19 3/4" (502mm)	15 7/16" (392mm)	28 23/32" (730mm)
<b>B</b>	Outer Housing Depth without Door	25 3/8" (645mm)	28 1/16" (713mm)	28 1/16" (712mm)
<b>C</b>	Inlet Opening Width	21 3/16" (538mm)	23 7/8" (606mm)	23 7/8" (607mm)
<b>D</b>	Unit Width	6 3/4" (171mm)	6 3/4" (171mm)	6 3/4" (171mm)
<b>E</b>	Outer Housing Depth with Door	27 3/8" (695mm)	30 1/16" (763mm)	30 1/16" (763mm)
<b>F</b>	Outlet Opening Width	21 3/16" (538mm)	23 7/8" (606mm)	23 7/8" (606mm)
<b>G</b>	Outlet Opening Height	19 3/4" (502mm)	15 7/16" (392mm)	28 23/32" (730mm)
<b>H</b>	Unit Height	22 1/16" (560mm)	17 3/4" (451mm)	31" (788mm)

### Typical Basement Installation



Same protection is recommended for all HVAC types. Including downflow, upflow and horizontal configurations.

### REPLACEMENT MEDIA

Model 2216	Aprilaire Part No. 216	MERV 16
Model 2416	Aprilaire Part No. 416	MERV 16
Model 2516	Aprilaire Part No. 516	MERV 16